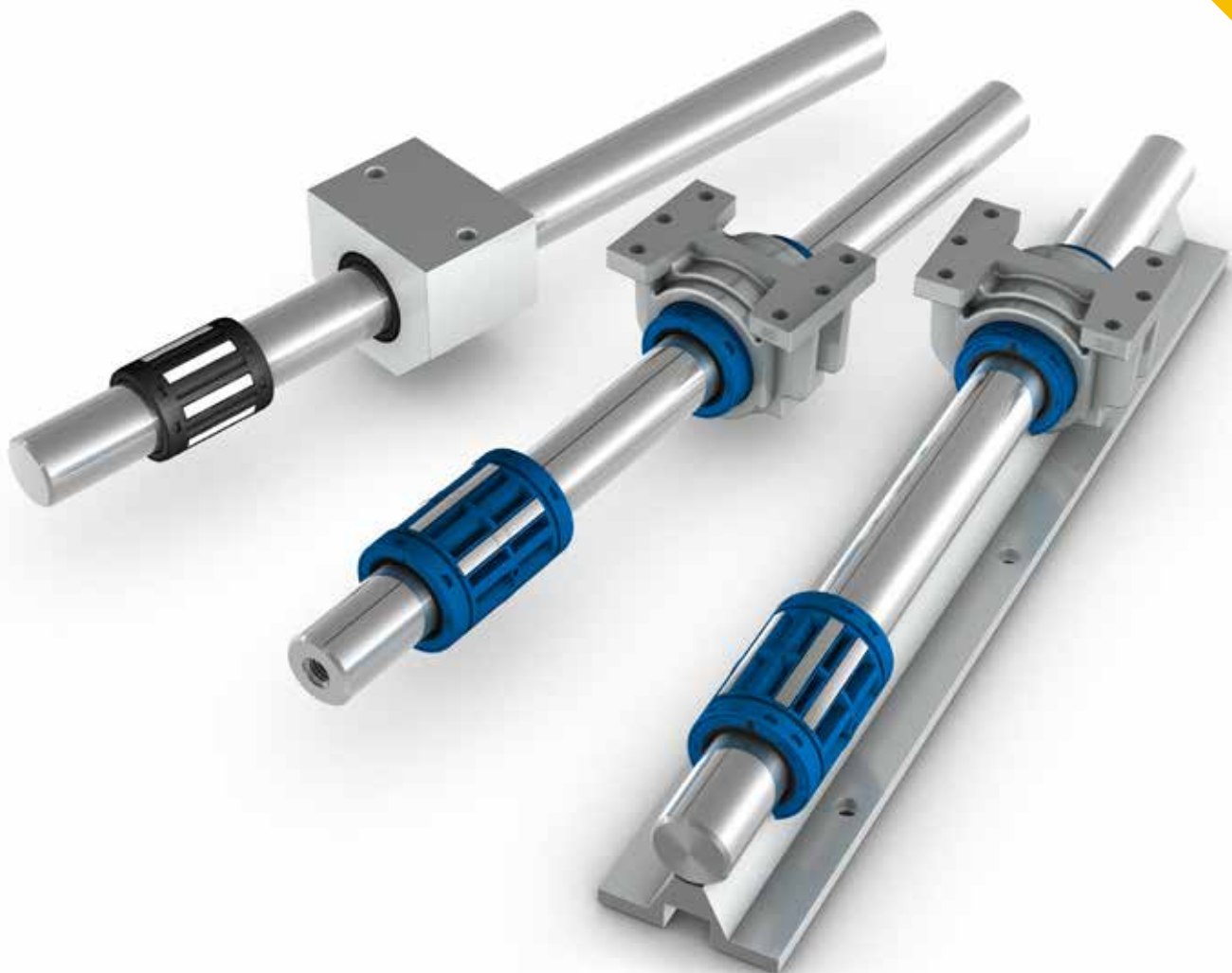


Linear bearings, units and shafts catalogue



Contents

| | | | |
|---|-----------|---|------------|
| 1 Introduction | 4 | 3.4.2 Standard linear units - LUCS/LUCE | 102 |
| 1.1 Product introduction | 5 | 3.4.3 Standard linear units - LUCT/LUCF | 104 |
| 1.1.1 Product function | 5 | 3.4.4 Standard linear units - LUCT BH | 106 |
| 1.1.2 Design and materials | 6 | 3.4.5 Standard linear units - LUNR/LUND | 108 |
| 1.1.3 Range description | 7 | 3.4.6 Standard linear units - LUNS/LUNE | 110 |
| 1.2 Features and benefits | 10 | 3.4.7 Standard linear units - LUNT/LUNF | 112 |
| 1.2.1 Compact range | 10 | 3.4.8 Standard flanged units - LVCR/LVCD | 114 |
| 1.2.2 Standard range | 12 | 3.4.9 Standard tandem units - LTCR/LTCD | 116 |
| 1.3 Range overview | 14 | 3.4.10 Standard tandem units - LTCT/LTCF | 118 |
| 1.3.1 Overview assortment | 14 | 3.4.11 Standard quadro units - LQCR/LQCD | 120 |
| 1.3.2 Overview of range and availability | 20 | 3.4.12 Standard quadro units - LQCT/LQCF | 122 |
| 1.4 Applications of linear bearings | 24 | 3.5 Standard housings | 124 |
| 2 Selection guide | 28 | 3.5.1 Standard housings - LHCR/LHCS | 125 |
| 2.1 Technical data | 29 | 3.5.2 Standard housings - LHCT | 126 |
| 2.1.1 Permissible operating conditions | 29 | 3.6 Shaft blocks and shaft supports | 127 |
| 2.1.2 Accuracy | 30 | 3.6.1 Shaft blocks - LSCS | 128 |
| 2.1.3 Rigidity | 34 | 3.6.2 Compact shaft blocks - LSHS | 129 |
| 2.1.4 Friction | 36 | 3.6.3 Standard shaft blocks - LSNS | 130 |
| 2.2 Dimensioning of linear bearings | 37 | 3.6.4 Compact tandem shaft blocks - LEBS | 131 |
| 2.2.1 Calculation bases | 37 | 3.6.5 Standard tandem shaft blocks - LEAS | 132 |
| 2.2.2 Calculation of bearing loads | 40 | 3.6.6 Standard shaft supports - LRCB/LRCC | 133 |
| 2.2.3 Factors of influence | 44 | 3.7 Precision shafts | 134 |
| 2.2.4 Elaborated equations for the static safety factor and for the rating life | 52 | 3.7.1 Shaft types and material | 134 |
| 2.2.5 Calculation example | 53 | 3.7.2 Shaft hardness and depth | 135 |
| 2.3 Technical data of plain bearing | 58 | 3.7.3 Shaft corrosion resistance and protection | 135 |
| 2.3.1 Range of applications | 58 | 3.7.4 Precision shaft length | 135 |
| 2.3.2 Basic technical principles | 58 | 3.7.5 Technical data of precision shafts | 136 |
| 2.3.3 Service life | 58 | 3.7.6 Tolerances of precision shafts | 137 |
| 2.3.4 "pv" load/speed relation | 59 | 3.7.7 Machined precision shafts | 138 |
| 2.3.5 Load ratings | 59 | 3.8 Linear slides | 141 |
| 2.3.6 Friction | 59 | 3.8.1 Linear slides - LZBU A | 142 |
| 2.3.7 Tolerances | 60 | 3.8.2 Linear slides - LZBU B | 144 |
| 2.3.8 Lubrication | 61 | 3.8.3 Linear slides - LZAU | 146 |
| 2.3.9 Shafts for plain bearings | 61 | 4 Mounting, operation and maintenance manual | 148 |
| 2.3.10 Housing tolerances and mounting of plain bearings | 61 | 4.1 Design rules | 149 |
| 2.4 Legend | 62 | 4.1.1 How to use linear bearings | 149 |
| 3 Product range | 64 | 4.1.2 Housing design | 149 |
| 3.1 Compact linear bearings | 65 | 4.1.3 Bearing fixation | 150 |
| 3.1.1 Compact linear ball bearings - LBBR | 66 | 4.1.4 Axial location | 154 |
| 3.1.2 Compact linear plain bearings - LPBR | 68 | 4.1.5 Sealing | 155 |
| 3.1.3 External shaft seals for compact bearings | 69 | 4.1.6 Requirements on precision shafts | 155 |
| 3.2 Compact linear units | 70 | 4.1.7 Mounting surfaces and shaft alignment | 156 |
| 3.2.1 Compact linear units - LUHR | 72 | 4.2 Mounting of linear bearings | 157 |
| 3.2.2 Compact linear units - LUJR | 74 | 4.2.1 Preparation | 157 |
| 3.2.3 Compact tandem units - LTBR | 76 | 4.2.2 Mounting | 157 |
| 3.2.4 Compact duo units - LTDR | 78 | 4.2.3 Mounting of linear plain bearings | 158 |
| 3.2.5 Compact quadro units - LQBR | 80 | 4.3 Lubrication | 159 |
| 3.3 Standard linear ball bearings | 82 | 4.3.1 Grease lubrication | 159 |
| 3.3.1 Standard linear ball bearings - LBCR | 84 | 4.3.2 Delivery condition from factory | 160 |
| 3.3.2 Standard linear ball bearings - LBCD | 86 | 4.3.3 Initial lubrication | 160 |
| 3.3.3 Standard linear ball bearings - LBCT | 88 | 4.3.4 Relubrication | 160 |
| 3.3.4 Standard linear ball bearings - LBCF | 90 | 4.4 Maintenance | 161 |
| 3.3.5 Standard linear ball bearings - LBHT | 92 | 4.4.1 Preventative maintenance | 161 |
| 3.3.6 Standard linear plain bearings - LPAR/LPAT | 94 | 4.4.2 Repairs | 161 |
| 3.3.7 Grease fittings - VN-LHC | 96 | 4.4.3 Shipping and storage | 161 |
| 3.4 Standard linear units | 97 | 5 Ordering key | 162 |
| 3.4.1 Standard linear units - LUCR/LUCD | 100 | 6 Customer specification sheet | 166 |

Heritage of innovation for technology leadership

Ewellix is a global innovator and manufacturer of linear motion and actuation solutions. Today, our state-of-the-art linear solutions are designed to increase machine performance, maximise uptime, reduce maintenance, improve safety and save energy.

Technology leadership

Our journey began **over 50 years** ago as part of the SKF Group, and our history with SKF provided us with the **expertise to continuously develop new technologies** and use them to create cutting edge products that offer our customers a competitive advantage.

In 2019, we became independent from SKF and changed our name to Ewellix. **We are proud of our heritage.** This gives us a unique foundation on which to build an agile business with engineering excellence and innovation as our core strengths.

Global presence and local support

With our **global presence**, we are uniquely positioned to deliver **standard components and custom-engineered solutions**, with full technical and applications support around the world. Long standing relationships with our distributor partners allow us to support customers in a variety of different industries. At Ewellix, we don't just provide products; **we engineer integrated solutions** that help customers realise their ambitions.



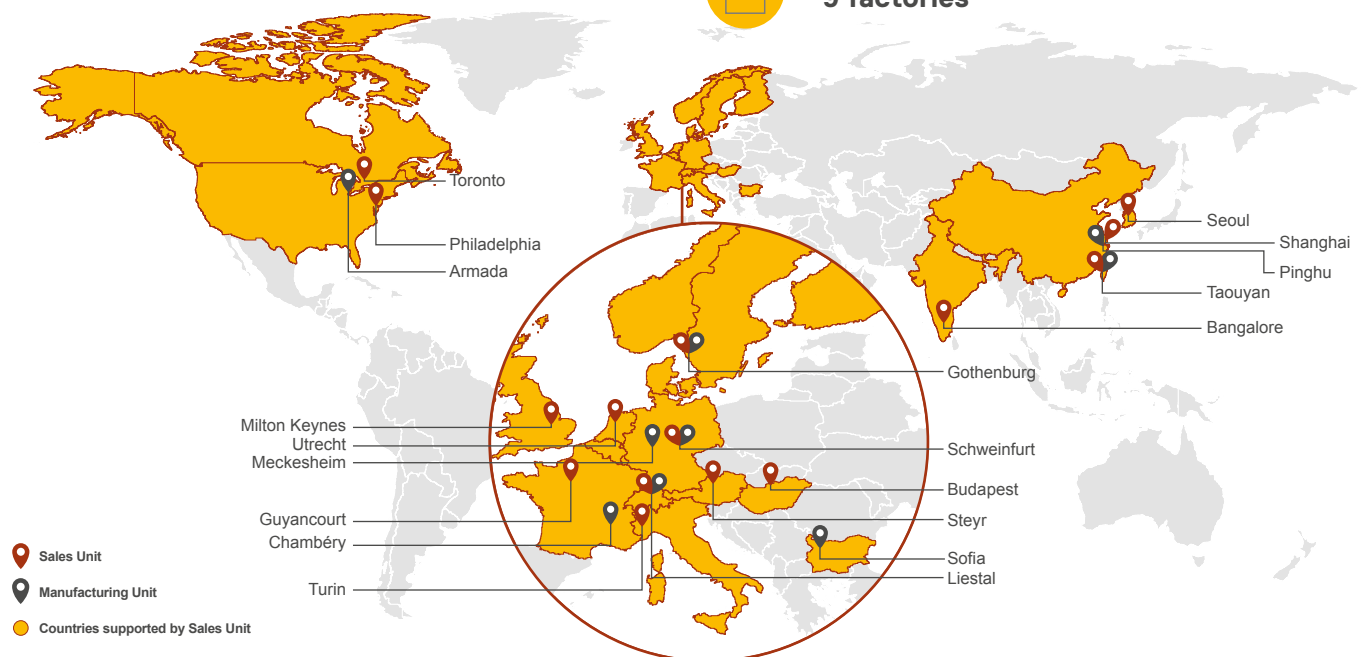
1 200 employees



16 sales units



9 factories



Trusted engineering expertise

Our industry is in motion; pushing towards solutions that reduce environmental impact and leverage new technology. We provide technical and manufacturing expertise to overcome our customers' challenges.

Engineering for the future

We work in a **wide range of industries**, where our solutions provide key functionality for business critical applications.

For the **medical industry**, we provide precision components for use in core medical equipment.

Our unparalleled understanding of **industrial automation** systems is based on decades of research into advanced automation components and techniques.

Our deep knowledge of **mobile machinery** provides powerful and reliable electromechanical solutions for the harshest conditions. In an **industrial distribution** setting, we supply linear expertise to our partners, empowering them to serve customers with greater efficiency.

We offer excellence

We have a **unique understanding of linear equipment** and how it's integrated into customers' applications to provide the best performance and machine efficiency.

We assist our customers by creating equipment that runs faster, longer and safer and that is sustainable.

We provide a wide variety of **linear motion components** and **electromechanical actuators** for equipping any automation application, helping our customers **reduce its footprint, energy use and maintenance**.

We push for lower energy consumption that **increases productivity and reduces the environmental impact**.

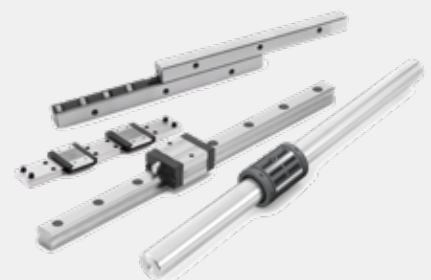
Actuation systems



Ball and roller screws

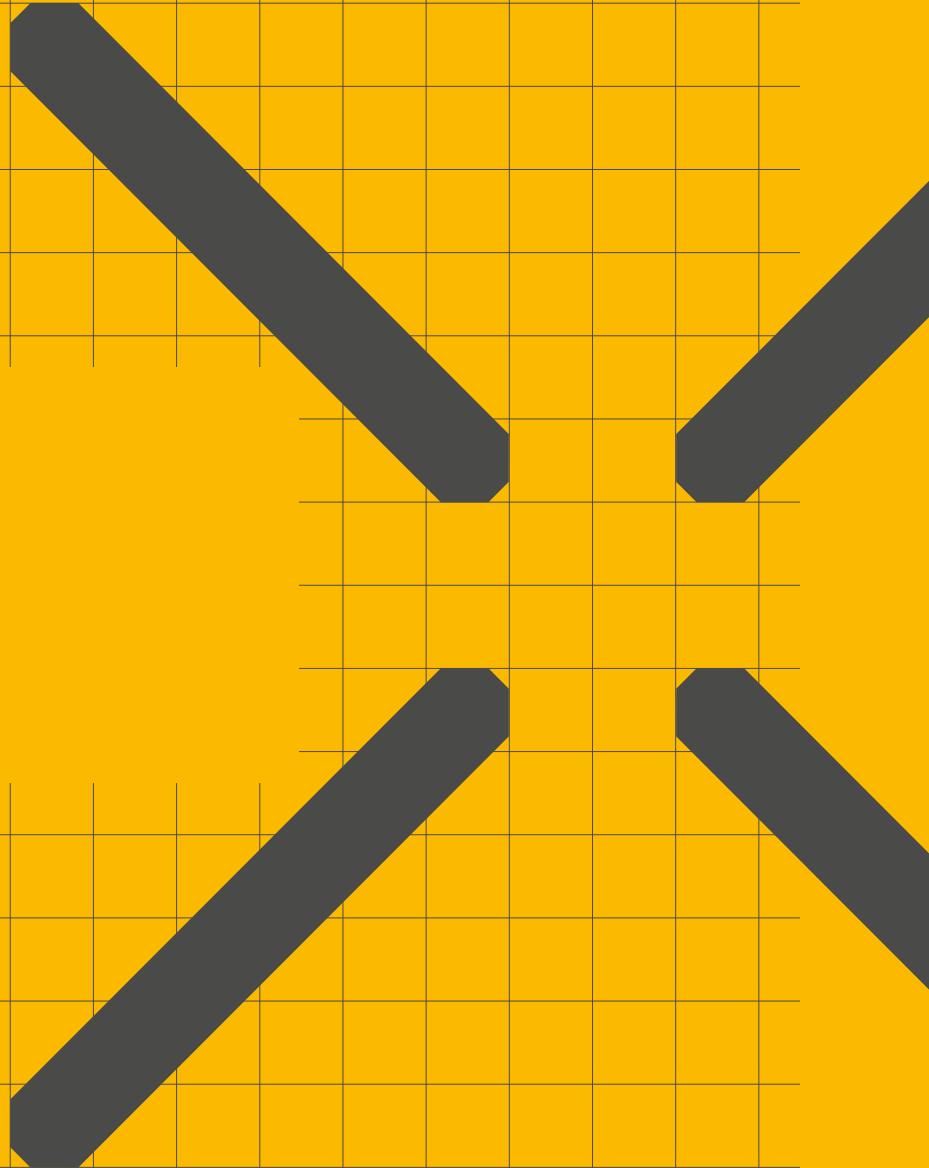


Linear guides and systems



1

Introduction



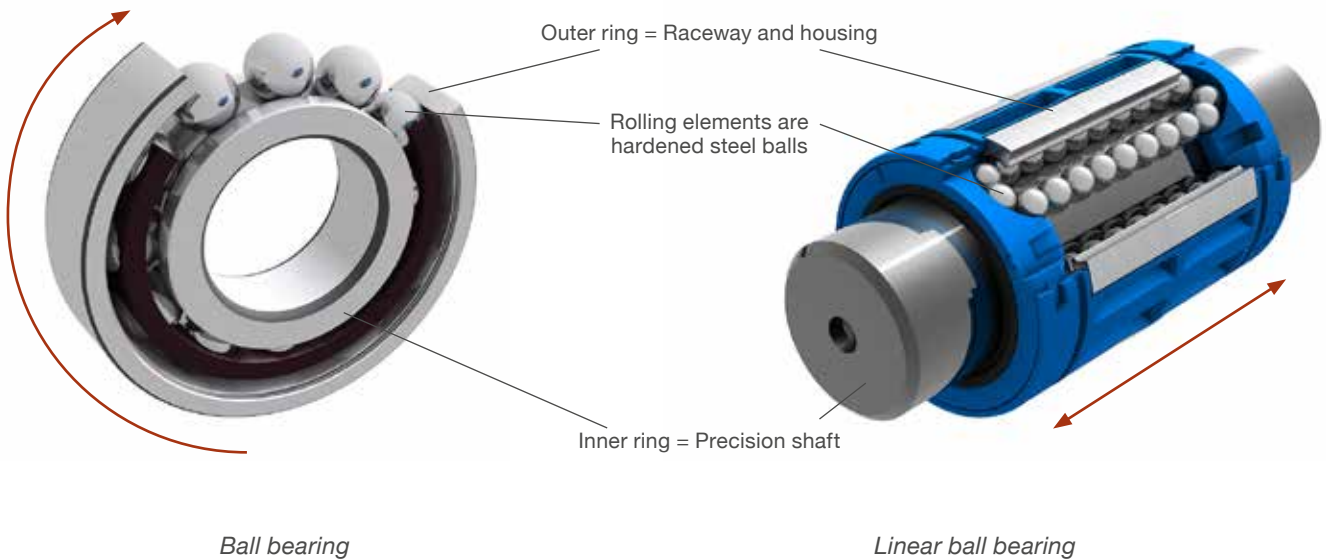
1.1 Product introduction

The Ewellix linear ball bearing assortment is widely used in a variety of economic and easy to implement linear guide systems. Nearly every application can be realised by the use of different bearing sizes and the huge range of units together with shafts and shaft blocks. The flexibility in combinations of the assortment makes it easy to find the right linear guide solution to support productivity. With this highly standardised range, implementation is quick as most components are available from stock.

1.1.1 Product function

Linear ball bearings are translating rolling motion into linear motion. Like in a normal ball bearing, the rolling elements allow nearly frictionless linear movements even under load. For that function, the linear ball bearing needs a precision shaft (inner ring), several ball recirculation systems, and raceways to transmit the force into the housing. The ball

recirculation system, in principal, allows unlimited stroke of the linear bearings along the precision shaft. Every component has to be very precise and must be made of hardened steel to reach solid long-term functionality of the linear guide. To build up a linear slide system, normally four linear ball bearings or units with two shafts and four shafts blocks are needed.



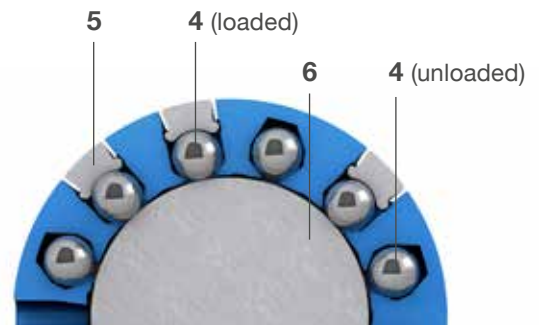
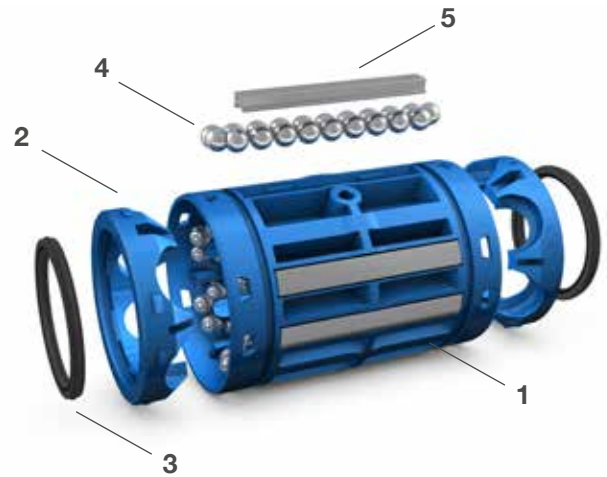
1.1.2 Design and materials

Linear ball bearings from Ewellix are designed for unlimited stroke applications. They consist of a plastic cage that contains the guiding elements, which are raceway plates and balls. Depending on the range and the size, linear bearings have different numbers of ball recirculations. Under the raceway plates, the steel balls are in the loaded zone. At the end of the raceway, the balls move into the unloaded zone and get circulated via the recirculation cap. When passing the opposite recirculation cap, they are moving back into the loaded zone. During motion, only the friction between the steel balls must be considered, therefore nearly frictionless linear motion is possible.

The bearing cage contains the ball rows with an equivalent number of raceway plates and at both ends recirculation caps. These caps can be flexibly equipped with double lip seals or with non-contacting shields. The low friction double lip seals are keeping the grease inside the bearings while moving the contamination safely away from the shaft. Besides the standard bearing steel material for rolling elements and raceway plates, all linear ball bearings can be manufactured as a stainless steel variant with special alloy stainless steel material.

Material specifications

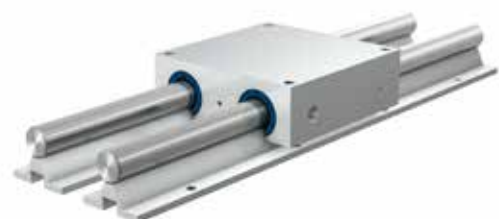
1. Linear bearing cage, plastic
2. Ball recirculation cap, plastic
3. Double lip seal or shield, rubber or Plastic
4. Steel balls (hardened), bearing steel
5. Raceway plates (hardened), bearing steel
6. Precision shaft, bearing steel



A typical linear slide arrangement consists of four linear bearings located in a housing and suitable shafts with shaft blocks or supports. The closed linear bearing and unit design is more economic and easier to install. It's mostly used for shorter linear strokes and less load where the impact of shaft bending is limited. For longer shaft length or higher load, the open design ball bearing with supported shafts is a better solution. The linear slides shown on this page visualise the closed and open design variants.



Quadro slide closed design



Quadro slide open design

1.1.3 Range description

Two different ranges are available, the compact one and the standard one, where both are using the same shaft dimensions. The compact one has a shorter length and diameter for best fit into applications with limited space. The compact range is in line with ISO 10285, series 1. The standard one is optimised for higher load rating using more space. It also includes the open design bearings for supported shaft solutions and is in line with ISO 10285, series 3. For the open types, a specific sub-series is made for heavy loads. For applications where a linear ball bearing is not suitable, each range offers interchangeable linear plain bearings for most sizes.

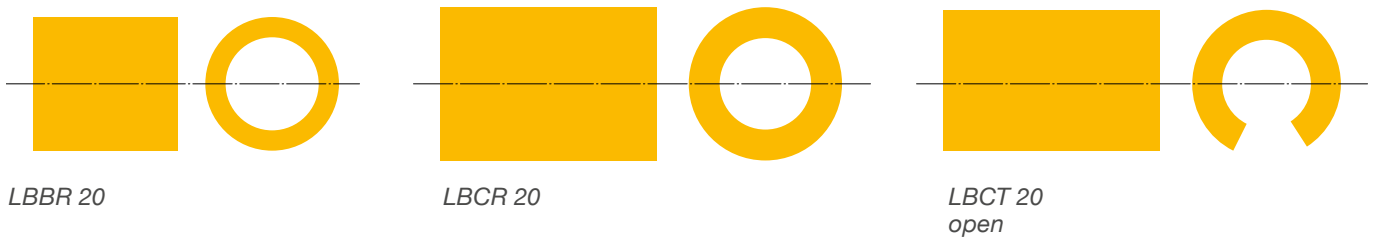
The dimensional difference between the compact and the standard range bearings can be seen in the below comparison where bearings with identical shaft diameter are shown. The compact ones are significantly smaller in length and outside diameter, where the standard ones are equipped with more performance (↳ **fig. 1**).

Linear bearing range



Fig. 1

Dimensional difference between the compact and standard range

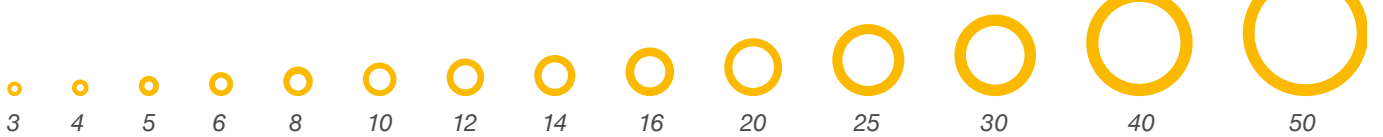


Each range is specifically available in shaft diameter sizes which are common for use in the market. The compact ones are more for the miniaturisation market going down to the

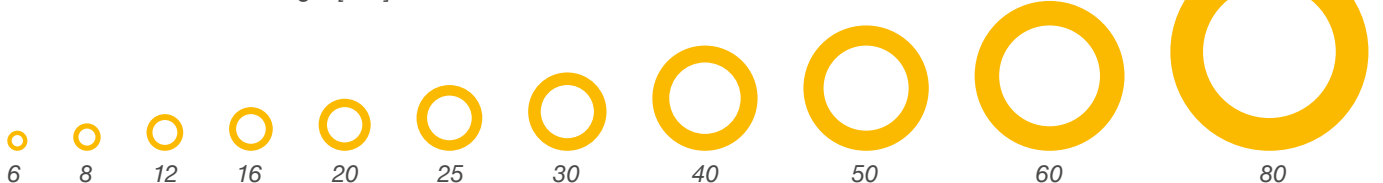
size of 3 mm. The standard ones can be used for up to 80 mm shaft size for very heavy loads (↳ **fig. 2**).

Fig. 2

Size overview compact range: [mm]



Size overview standard range: [mm]



Single linear ball bearings from Ewellix are easy to integrate into existing designs. The bearing housing can be part of a more complex design or machine structure. Compared to most other linear guide solutions, the integration is very easy

to realise. The tolerance of the housing bore and the shaft tolerance are building the base for the linear guide performance. For more information about the bearing range and dimensions, see **chapter 3.1** and **3.3**.

Linear unit range

To build up linear slides from standard design elements, each range has an assortment of units and shaft blocks. A linear bearing unit is a standardised housing mostly made from aluminium already equipped with a linear ball bearing. The units have a defined performance and are made as single, tandem, duo or quadro units. These units provide the utmost ease and flexibility to build up a huge variety of linear slides, together with the shafts and shafts blocks. The schematics below show the differences between the unit assortment.

Single units



Single units equipped with one linear bearing allow building up linear slides with flexible bearing distance and shaft distance.

Tandem units



Tandem units equipped with two linear bearings in line allow building up slides with flexible shaft distance or slides with more performance.

Duo units



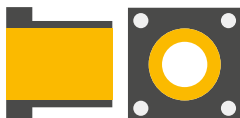
Duo units equipped with two linear bearings in parallel allow slides with flexible bearing distance with fixed shaft distance.

Quadro units



Quadro units equipped with four linear bearings are pre-mounted ready to use slides with fixed bearing and shaft distance.

Flanged units



Flanged units are made for flexible mounting direction, when top or bottom mounting is not possible. They are single units for flexible bearing distance and shaft distance.

In each assortment of the compact and standard range, different variants of units are available to fit all possible installations and possible fixations of linear guide components. Most units are made for top or bottom mounting together with the shaft block from the same range. For machine wall mounting or side mounting, even flanged units are complementing the wide assortment. All in all, easy to install standardised components. For more information, see **chapter 3.2** and **3.4**.

Shaft blocks and shaft supports

When the shaft fixation cannot be integrated into the machine design, the easiest way to do it is with Ewellix compact and standard shaft blocks or shaft supports. Shaft blocks are made to secure a safe clamping of the shaft and to have a defined precise fixation at the machine surface. Shaft supports are normally used at long linear travel distances to have a precise shaft fixation and to avoid shaft bending at long lengths. Shaft supports are bolted with the shaft. For more information, see **chapter 3.6**.



Shaft with shaft blocks

Shaft with shaft support

Precision Shafts

Precise hardened shafts complete the linear bearing system. Important considerations for linear slide precision are the shaft outside tolerance, the roundness and the straightness. As the Ewellix linear bearings are high precision products, the shaft outside tolerance together with the bearing housing's inner tolerance define the clearance or preload of the linear slide system. Different shaft materials, designs and coatings are available for respective linear ball bearing diameters. For ease of use, Ewellix has defined shaft machining standards suitable for most applications. For more information see **chapter 3.7**.

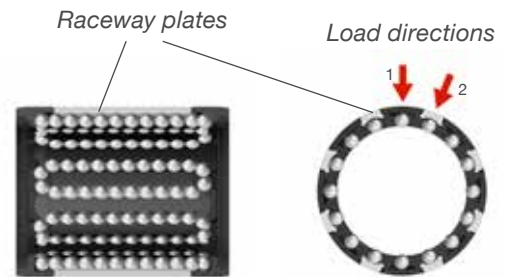


1.2 Features and benefits

1.2.1 Compact range

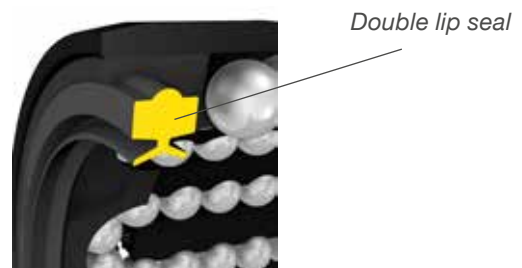
High performance bearings

Compact linear ball bearings are high performance bearings for long rating life with nearly no maintenance. The cage design with raceway plates optimises load distribution between ball rows. The bearing's design which provides low friction and low noise, paired with high load ratings, is useful in many applications. Each bearing size has a maximum load direction, when mounted as shown in the picture to the right, which boosts performance.



Double lip seal

LBBR compact bearings are optionally equipped with double lip seals for long service life. This perfectly fitted seal safely keeps contamination out and grease inside the linear bearing. The specific design ensures optimised sealing pressure towards the shaft for low friction. Perfect for applications with low maintenance, long service life and more environment friendly solutions of linear guides.



Self-holding functionality

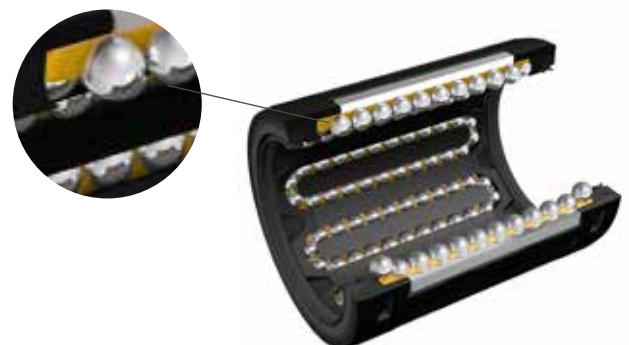
The cage design is made for a perfect press fit into the right housing tolerance. This means less mounting time, no damage during mounting, and low mounting force for compact LBBR bearings. The self-holding functionality has been proven by many satisfied customers in different applications. Compared to steel caged bearings, the Ewellix LBBR are easy to mount and do not damage housing tolerance when replacement is necessary.



Lube for life under normal conditions

Times are over when you have installed a linear ball bearing and start to grease each ball row by hand before installation. Ewellix pre-lubricated bearings and units save mounting time and are ready to use. The compact range is greased for life under normal conditions.

Food compatible grease and other greases are available on request, if our standard grease SKF LGEP 2 does not fit.



Miniaturisation down to size 3 mm

Downsizing and miniaturisation are trends in the market to realise lower energy consumption in motion or new miniature solutions. Compact linear ball bearings are supporting these trends by the sizes Ewellix offers in the market. From size 3 mm up to 50 mm onwards, customers can choose the right bearing size for their applications. Additionally, the ease of linear ball bearing integration into machine designs counts.



Complete unit range

Standard applications need quick solutions where everything is predefined. The complete unit range makes it easy to pick the right bearing unit for flexible linear slide design. All parts are precisely ready machined and the bearings mounted. Together with shafts and shaft blocks, a linear slide solution can be realised in a few working days. That supports a quick way to meet the market for new demands.



Harsh environment and contamination solution

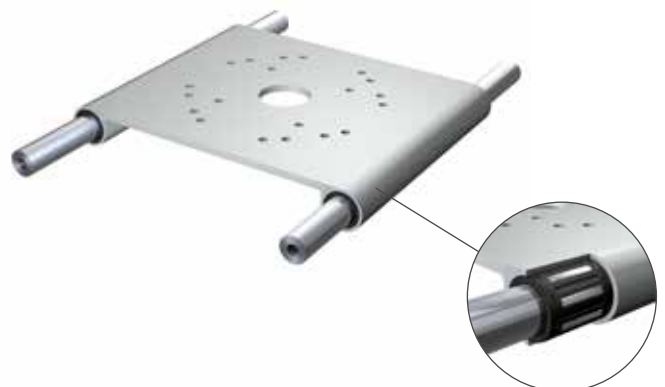
For the compact linear ball bearings range, Ewellix offers an additional front seal as an option. Harsh environmental and heavy contamination problems are gone. The external shaft seal is pressed as a front seal inside the bearing housing. It can be used as a single solution or as an additional solution together with the bearing integrated double lip seal. Ewellix offers the unit type LUJR in **chapter 3.2** with these features.



Compacts are perfect for integration

You think about a machine design and need a linear slide function inside?

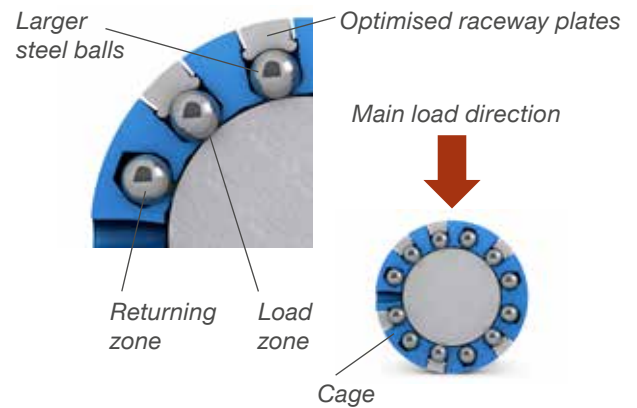
Contact your local Ewellix experts for realising an optimised solution based on the integration of linear ball bearings into your machine design. The picture to the right shows a customised housing made for a driver or patient seat motion as used in construction machines or medical treatment chairs.



1.2.2 Standard range

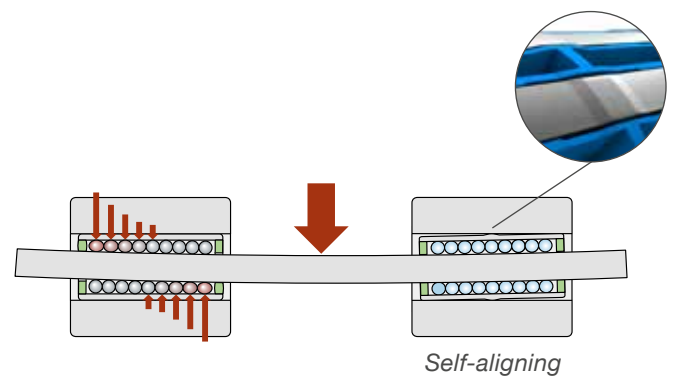
Higher load ratings and rating life

Depending on the bearing size, LBC D-series linear ball bearings can deliver up to 15 % higher dynamic load ratings and up to 50 % longer rating life than previous bearing designs. Optimised raceway plates and larger rolling elements enable the performance increase. Consequently, LBC D-series bearings offer greater reliability and productivity for applications or give designers the flexibility to downsize.



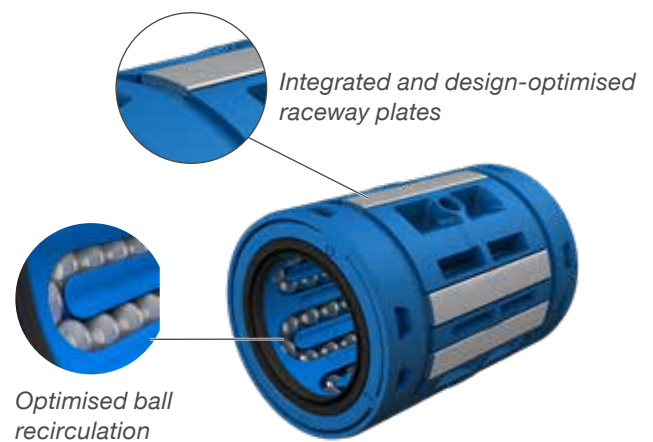
Self-aligning capability

Standard LBCD and LBCF linear ball bearings have the self-aligning feature. These bearings can accommodate tilting of the bearing up to an angle of ± 30 minutes of arc. This tilting feature compensates for misalignments caused by fitting or manufacturing tolerances of the adjacent construction, or by significant bending of a precision shaft. Important, as the whole bearing is tilting the seals remain concentric around the shaft with full functionality. The results are less peak loads and finally an extended rating life of the bearing.



Optimised cage design

LBC, D-series bearings have an optimised cage design. The new cage design features larger steel balls and raceway plates. Additionally, a grease reservoir and optimised ball recirculations are integrated. This combination helps to ensure smooth operation with less friction and low noise emissions, making LBC, D-series bearings a good option even for sensitive applications such as the medical industry.



Perfect sealing function

All standard bearings of the LBC range are optionally equipped with double lip seals. This heavy duty elastomer seal safely keeps contamination out and grease inside the linear bearing. In addition, the optimised sealing pressure towards the shaft ensures low friction. Perfect for applications with low maintenance, long service life and more environment friendly solutions of linear guides.

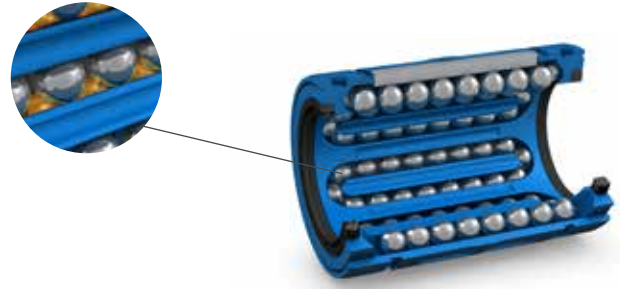


Factory pre-lubrication

Times are over when you have installed a linear ball bearing and start to grease each ball row by hand before installation.

Ewellix pre-lubricated bearings and units save mounting time and are ready to use. This saves the cost of initial greasing and is beneficial for the planet as only the necessary amount for initial greasing is applied.

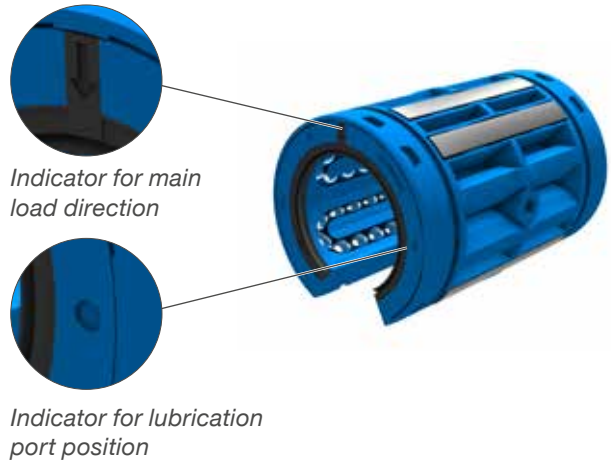
Food compatible grease and other greases are available on request if our standard grease SKF LGEP 2 does not fit.



Easy mounting

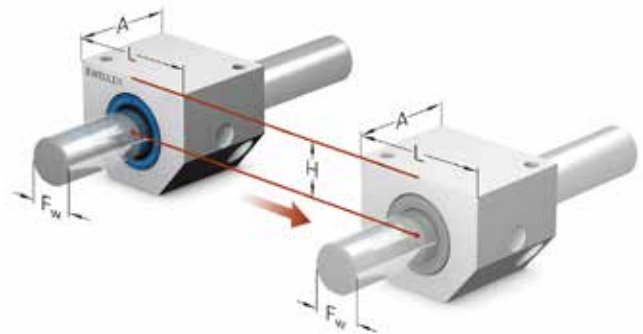
Ewellix linear bearings are easy to install and add safety.

There is an indicator for the main load direction that allows you to visually control the right mounting position for maximum performance. The lube and fixation hole indicator helps to find the correct mounting position and therefore avoids bearing or cage damage during installation.



Full ISO interchangeability

LBC linear ball bearings are manufactured according to ISO 10285 dimensions and tolerances making them fully interchangeable with previous Ewellix series or ISO Series 3 bearings. For product designers and manufacturers, the LBC bearings offer a flexible, drop-in replacement option for existing equipment designs.



Lightweight units and shaft blocks




Ewellix linear ball bearings support the goal of saving energy in motion. Compared to most other housing solutions, the lightweight range from Ewellix offers significantly lower weight for linear guide slides. One lightweight die-cast bearing unit size 20 saves up to 42 % in weight compared to a standard aluminium unit made of extruded material. That's real energy saving potential.




1.3 Range overview

1.3.1 Overview assortment

Linear ball bearings

| Picture | Designation | Size | Max load rating dynamic / static | Comments | ISO series | Chapter |
|---|--|----------|-------------------------------------|-----------------------------|---------------|---------|
| – | – | mm | N | – | – | – |
|  | LBBR Compact bearing | 3 to 50 | 7 100 / 6 950 | – | 1 | 3.1.1 |
|  | LBCR Standard bearing | 5 to 80 | 37 500 / 32 000 | – | 3 | 3.3.1 |
|  | LBCE Standard bearing | 12 to 50 | 11 200 / 6 950 | Self-aligning ¹⁾ | 3 | 3.3.2 |
|  | LBCT Standard bearing open design | 12 to 80 | 37 500 / 32 000 | – | 3 | 3.3.3 |
|  | LBCF Standard bearing open design | 12 to 50 | 11 200 / 6 950 | Self-aligning ¹⁾ | 3 | 3.3.4 |
|  | LBHT Standard heavy duty bearing open design | 20 to 50 | 17 300 / 17 000 | – | 3 | 3.3.5 |

External compact shaft seals

| Picture | Designation | Size mm | Suitable for | Chapter |
|---|-------------|------------|-------------------------|---------|
| – | – | mm | – | – |
|  | SP | 6 to 50 | Compact linear bearings | 3.1.3 |

¹⁾ Automatic compensation of shaft misalignments of up to max. ±30 minutes of arc (L→ chapter 3.3)

Linear plain bearings

| Picture | Designation | Size | Max load rating dynamic / static | ISO series | Chapter |
|---------|--|----------|-------------------------------------|---------------|---------|
| – | – | mm | N | – | |
| | LPBR Compact plain bearing | 12 to 50 | 10 800 / 38 000 | 1 | 3.1.2 |
| | LPAR Standard plain bearing | 5 to 80 | 33 500 / 116 000 | 3 | 3.3.6 |
| | LPAT Standard plain bearing open design | 12 to 80 | 33 500 / 116 000 | 3 | 3.3.6 |





Compact linear units

| Picture | Housing | Designation | Bearing | Size | Max load rating dynamic / static | Chapter |
|---------|--|----------------|---------------------|----------|-------------------------------------|---------|
| – | – | – | – | mm | N | |
| | Closed, aluminium housing | LUHR | LBBR bearing | 12 to 50 | 7 100 / 6 950 | 3.2.1 |
| | | LUHR PB | LPBR, plain bearing | 12 to 50 | 10 800 / 38 000 | |
| | Closed, aluminium housing with shaft seals | LUJR | LBBR bearing | 12 to 50 | 7 100 / 6 950 | 3.2.2 |
| | | LUJR PB | LPBR, plain bearing | 12 to 50 | 10 800 / 38 000 | |
| | Tandem, closed, aluminium housing | LTBR | LBBR bearing | 12 to 50 | 11 600 / 14 000 | 3.2.3 |
| | | LTBR PB | LPBR, plain bearing | 12 to 50 | 21 600 / 76 000 | |
| | Duo, closed, aluminium housing | LTDR | LBBR bearing | 12 to 50 | 11 600 / 14 000 | 3.2.4 |
| | | LTDR PB | LPBR, plain bearing | 12 to 50 | 21 600 / 76 000 | |
| | Quadro, closed, aluminium housing | LQBR | LBBR bearing | 12 to 50 | 19 000 / 28 000 | 3.2.5 |
| | | LQBR PB | LPBR, plain bearing | 12 to 50 | 43 200 / 152 000 | |




Standard linear units

| Picture | Housing | Designation | Bearing | Size | Max load rating dynamic / static | Chapter |
|---|--|----------------|---|----------|-------------------------------------|---------|
| - | - | - | - | mm | N | |
|  | Closed, die-cast aluminium housing | LUCR | LBCR bearing | 8 to 80 | 37 500 / 32 000 | 3.4.1 |
| | | LUCD | LBCD bearing, self-aligning ¹⁾ | 12 to 50 | 11 200 / 6 950 | |
| | | LUCR PA | LPAR, plain bearing | 8 to 80 | 33 500 / 116 000 | |
|  | Slotted, die-cast aluminium housing, clearance adjustable | LUCS | LBCR bearing | 8 to 80 | 37 500 / 32 000 | 3.4.2 |
| | | LUCE | LBCD bearing, self-aligning ¹⁾ | 12 to 50 | 11 200 / 6 950 | |
|  | Open, die-cast aluminium housing | LUCT | LBCT bearing | 12 to 80 | 37 500 / 32 000 | 3.4.3 |
| | | LUCF | LBCF bearing, self-aligning ¹⁾ | 12 to 50 | 11 200 / 6 950 | |
| | | LUCT PA | LPAT, plain bearing | 12 to 80 | 33 500 / 116 000 | |
|  | Heavy duty, open, die-cast aluminium housing | LUCT BH | LBHT bearing, heavy duty | 20 to 50 | 17 300 / 17 000 | 3.4.4 |
|  | Closed, aluminium housing | LUNR | LBCR bearing | 12 to 50 | 13 400 / 12 200 | 3.4.5 |
| | | LUND | LBCD bearing, self-aligning ¹⁾ | 12 to 50 | 11 200 / 6 950 | |
| | | LUNR PA | LPAR, plain bearing | 12 to 50 | 12 700 / 45 000 | |
|  | Slotted, aluminium housing, clearance adjustable | LUNS | LBCR bearing | 12 to 50 | 13 400 / 12 200 | 3.4.6 |
| | | LUNE | LBCD bearing, self-aligning ¹⁾ | 12 to 50 | 11 200 / 6 950 | |
|  | Open, aluminium housing | LUNT | LBCT bearing | 12 to 50 | 13 400 / 12 200 | 3.4.7 |
| | | LUNF | LBCF bearing, self-aligning ¹⁾ | 12 to 50 | 11 200 / 6 950 | |
| | | LUNT PA | LPAT, plain bearing | 12 to 50 | 12 700 / 45 000 | |
|  | Flanged, cast iron housing | LVCR | LBCR bearing | 12 to 80 | 37 500 / 3 000 | 3.4.8 |
| | | LVCD | LBCD bearing, self-aligning ¹⁾ | 12 to 50 | 11 200 / 6 950 | |
| | | LVCR PA | LPAR, plain bearing | 12 to 80 | 33 500 / 116 000 | |

¹⁾ Automatic compensation of shaft misalignments of up to max. ±30 minutes of arc (L→ chapter 3.3)

| Picture | Housing | Designation | Bearing | Size | Max load rating dynamic / static | Chapter |
|---|---|----------------|---|----------|-------------------------------------|---------|
| – | – | – | – | mm | N | |
|  | Tandem, closed, aluminium housing | LTCR | LBCR bearing | 12 to 50 | 21 600 / 24 500 | 3.4.9 |
| | | LTCD | LBCD bearing, self-aligning ¹⁾ | 12 to 50 | 18 300 / 14 000 | |
| | | LTCR PA | LPAR, plain bearing | 12 to 50 | 25 400 / 90 000 | |
|  | Tandem, open, aluminium housing | LTCT | LBCT bearing | 12 to 50 | 21 600 / 24 500 | 3.4.10 |
| | | LTCF | LBCF bearing, self-aligning ¹⁾ | 12 to 50 | 18 300 / 14 000 | |
| | | LTCT PA | LPAT, plain bearing | 12 to 50 | 25 400 / 90 000 | |
|  | Quadro, closed, aluminium housing | LQCR | LBCR bearing | 8 to 50 | 35 500 / 49 000 | 3.4.11 |
| | | LQCD | LBCD bearing, self-aligning ¹⁾ | 12 to 50 | 30 000 / 28 000 | |
| | | LQCR PA | LPAR, plain bearing | 8 to 50 | 50 800 / 180 000 | |
|  | Quadro, open, aluminium housing | LQCT | LBCT bearing | 12 to 50 | 3 500 / 49 000 | 3.4.12 |
| | | LQCF | LBCF bearing, self-aligning ¹⁾ | 12 to 50 | 30 000 / 28 000 | |
| | | LQCT PA | LPAT, plain bearing | 12 to 50 | 50 800 / 180 000 | |

Standard housings


| Picture | Housing | Designation | Suitable for | Size | Chapter |
|---|---|-------------|--|----------|---------|
| – | – | – | – | mm | |
|  | Closed, die-cast aluminium housing | LHCR | LBCR bearing | 8 to 80 | 3.5.1 |
| | | | LBCD bearing, self-aligning | | |
| | | | LPAR, plain bearing other standard bearings | | |
|  | Slotted, die-cast aluminium housing, clearance adjustable | LHCS | LBCR bearing | 8 to 80 | 3.5.1 |
| | | | LBCD bearing, self-aligning | | |
| | | | other standard bearings | | |
|  | Open, die-cast aluminium housing | LHCT | LBCT bearing | 12 to 80 | 3.5.2 |
| | | | LBCF bearing, self-aligning | | |
| | | | LPAT, plain bearing other standard bearings | | |

¹⁾ Automatic compensation of shaft misalignments of up to max. ±30 minutes of arc (→ chapter 3.3)



Shaft blocks and shaft supports

| Picture | Designation | Suitable for | Size | Comments | ISO series | Chapter |
|---|----------------------------|----------------------------|----------|-----------------------------|------------|---------|
| – | – | – | mm | – | – | – |
|  | LSCS | Compact and standard range | 8 to 80 | – | 1 / 3 | 3.6.1 |
|  | LSHS | Compact range | 12 to 50 | – | 1 | 3.6.2 |
|  | LSNS | Standard range | 12 to 50 | | 3 | 3.6.3 |
|  | LEBS A | Compact range | 12 to 50 | Tandem | 1 | 3.6.4 |
|  | LEAS ... A/B | Standard range | 8 to 50 | Tandem | 3 | 3.6.5 |
|  | LRCB LRCC | Standard range | 12 to 80 | With holes Without holes | 3 | 3.6.6 |

Precision shafts

| Picture | Designation | Shaft type | Material description | Size mm | Chapter |
|---|---|--|--|--|---------|
|  | LJM LJMR LJMS LJMH LJT | Solid shaft Solid shaft Solid shaft Solid shaft Hollow shaft | High grade steel High alloy stainless steel High alloy stainless steel High grade steel, hard chrome plated High grade steel | 3 to 80 3 to 60 6 to 60 5 to 80 12 to 80 | 3.7 |

Linear slides

| Picture | Designation | Size | Max load rating dynamic / static | Comments | ISO series | Chapter |
|---|-------------------|----------|-------------------------------------|--|---------------|---------|
| – | – | mm | N | | – | |
|  | LZBU ... A | 8 to 50 | 30 000 / 28 000 | Quadro A = moving unit | 3 | 3.8.1 |
| | LZBU ... B | | | B = moving shafts LBCD bearing self-aligning ¹⁾ | | 3.8.2 |
|  | LZAU | 12 to 50 | 30 000 / 28 000 | Quadro supported shaft LBCF bearing self-aligning ¹⁾ | 3 | 3.8.3 |

¹⁾ Automatic compensation of shaft misalignments of up to max. ± 30 minutes of arc (→ [chapter 3.3](#))

1.3.2 Overview of range and availability

Ewellix linear ball bearings range and availability

| Range | Assortment | Type | Feature | Variant | Design | Chapter |
|-----------------------|--------------------|----------------------|----------------------|-------------------------------|---------|---------|
| – | – | – | – | – | – | – |
| Compact range | Linear Bearings | LBBR | – | shielded | closed | 3.1.1 |
| | | | | sealed | closed | |
| | | | | seal and shield | closed | |
| | Linear Units | LUHR | – | plain bearing | closed | 3.1.2 |
| | | | | external shaft seals | closed | 3.1.3 |
| | | | | single unit shielded | closed | 3.2.1 |
| | | | | single unit sealed | closed | |
| | | | | single unit externally sealed | closed | 3.2.2 |
| | | | | single unit double sealed | closed | |
| | | | | tandem unit shielded | closed | 3.2.3 |
| | | | | tandem unit sealed | closed | |
| | | | | duo unit shielded | closed | 3.2.4 |
| | | | | duo unit sealed | closed | |
| | | | | quadro unit shielded | closed | 3.2.5 |
| quadro unit sealed | closed | | | | | |
| Standard range | Linear Bearings | LBCR | – | shielded | closed | 3.3.1 |
| | | | | sealed | closed | |
| | | | | seal and shield | closed | |
| | | LBCD | self-aligning | shielded | closed | 3.3.2 |
| | | | | sealed | closed | |
| | | | | seal and shield | closed | |
| | | LBCT | – | shielded | open | 3.3.3 |
| | | | | sealed | open | |
| | | | | seal and shield | open | |
| | | LBCF | self-aligning | shielded | open | 3.3.4 |
| | | | | sealed | open | |
| | | | | seal and shield | open | |
| | | LBHT | heavy duty | shielded | open | 3.3.5 |
| | | | | sealed | open | |
| | | | | seal and shield | open | |
| | LPAR | – | plain bearing | closed | 3.3.6 | |
| | | | plain bearing | open | | |
| | | | grease fittings | – | | 3.3.7 |
| | Linear Units | LUCR | – | single unit shielded | closed | 3.4.1 |
| | | | | single unit sealed | closed | |
| | | LUCD | self-aligning | single unit shielded | closed | 3.4.1 |
| | | | | single unit sealed | closed | |
| | | LUCS | – | single unit shielded | slotted | 3.4.2 |
| | | | | single unit sealed | slotted | |
| | | LUCE | self-aligning | single unit shielded | slotted | 3.4.2 |
| | | | | single unit sealed | slotted | |
| | | LUCT | – | single unit shielded | open | 3.4.3 |
| | | | | single unit sealed | open | |
| | | LUCF | self-aligning | single unit shielded | open | 3.4.3 |
| | | | | single unit sealed | open | |
| LUCT BH | | heavy duty | single unit shielded | open | 3.4.4 | |
| | | | single unit sealed | open | | |
| LUNR | | – | single unit shielded | closed | 3.4.5 | |
| | single unit sealed | | closed | | | |
| LUND | self-aligning | single unit shielded | closed | 3.4.5 | | |
| | | single unit sealed | closed | | | |
| LUNS | – | single unit shielded | slotted | 3.4.6 | | |
| | | single unit sealed | slotted | | | |
| LUNE | self-aligning | single unit shielded | slotted | 3.4.6 | | |
| | | single unit sealed | slotted | | | |
| LUNT | – | single unit shielded | open | 3.4.7 | | |
| | | single unit sealed | open | | | |
| LUNF | self-aligning | single unit shielded | open | 3.4.7 | | |
| | | single unit sealed | open | | | |

| Type | Size [mm] | | | | | | | | | | | | | | | | Variant | | |
|---------|-----------|---|---|---|---|----|----|----|----|----|----|----|----|----|----|----|---------|----|----|
| | 3 | 4 | 5 | 6 | 8 | 10 | 12 | 14 | 16 | 20 | 25 | 30 | 40 | 50 | 60 | 80 | HV6 | PB | PA |
| LBBR | ● | ● | ● | ● | ● | ● | ● | ● | ● | ● | ● | ● | ● | ● | ● | ● | ● | ● | ● |
| LPBR | - | - | - | - | - | - | ● | ● | ● | ● | ● | ● | ● | ● | - | - | - | - | - |
| SP | - | - | - | ● | ● | ● | ● | ● | ● | ● | ● | ● | ● | ● | - | - | - | - | - |
| LUHR | - | - | - | - | - | - | ● | - | ● | ● | ● | ● | ● | ● | - | - | ● | ● | - |
| LUJR | - | - | - | - | - | - | ● | - | ● | ● | ● | ● | ● | ● | - | - | ● | ● | - |
| LTBR | - | - | - | - | - | - | ● | - | ● | ● | ● | ● | ● | ● | - | - | - | ● | - |
| LTDR | - | - | - | - | - | - | ● | - | ● | ● | ● | ● | ● | ● | - | - | - | ● | - |
| LQBR | - | - | - | - | - | - | ● | - | ● | ● | ● | ● | ● | ● | - | - | - | ● | - |
| LBCR | - | - | ● | - | ● | - | ● | - | ● | ● | ● | ● | ● | ● | ● | ● | ● | ● | ● |
| LBCD | - | - | ● | - | ● | - | ● | - | ● | ● | ● | ● | ● | ● | ● | ● | ● | ● | ● |
| LBCT | - | - | - | - | - | - | ● | - | ● | ● | ● | ● | ● | ● | ● | ● | ● | ● | ● |
| LBCF | - | - | - | - | - | - | ● | - | ● | ● | ● | ● | ● | ● | - | - | - | ● | - |
| LBHT | - | - | - | - | - | - | ● | - | ● | ● | ● | ● | ● | ● | - | - | - | ● | - |
| LPAR | - | - | ● | - | ● | - | ● | - | ● | ● | ● | ● | ● | ● | ● | ● | ● | - | - |
| LPAT | - | - | - | - | - | - | ● | - | ● | ● | ● | ● | ● | ● | ● | ● | ● | - | - |
| VN-LHC | - | - | - | - | - | - | ● | - | ● | ● | ● | ● | ● | ● | ● | ● | ● | - | - |
| LUCR | - | - | - | - | ● | - | ● | - | ● | ● | ● | ● | ● | ● | ● | ● | ● | ● | ● |
| LUCD | - | - | - | - | - | - | ● | - | ● | ● | ● | ● | ● | ● | - | - | - | ● | - |
| LUCS | - | - | - | - | ● | - | ● | - | ● | ● | ● | ● | ● | ● | ● | ● | ● | ● | ● |
| LUCE | - | - | - | - | - | - | ● | - | ● | ● | ● | ● | ● | ● | - | - | - | ● | - |
| LUCT | - | - | - | - | - | - | ● | - | ● | ● | ● | ● | ● | ● | ● | ● | ● | ● | ● |
| LUCF | - | - | - | - | - | - | ● | - | ● | ● | ● | ● | ● | ● | - | - | - | ● | - |
| LUCT BH | - | - | - | - | - | - | - | - | - | ● | ● | ● | ● | ● | - | - | - | ● | - |
| LUNR | - | - | - | - | - | - | ● | - | ● | ● | ● | ● | ● | ● | - | - | - | ● | - |
| LUND | - | - | - | - | - | - | ● | - | ● | ● | ● | ● | ● | ● | - | - | - | ● | - |
| LUNS | - | - | - | - | - | - | ● | - | ● | ● | ● | ● | ● | ● | - | - | - | ● | - |
| LUNE | - | - | - | - | - | - | ● | - | ● | ● | ● | ● | ● | ● | - | - | - | ● | - |
| LUNT | - | - | - | - | - | - | ● | - | ● | ● | ● | ● | ● | ● | - | - | - | ● | - |
| LUNF | - | - | - | - | - | - | ● | - | ● | ● | ● | ● | ● | ● | - | - | - | ● | - |

- Items usually available from stock
- Delivery time usually 10 days for max. quantity of 4; larger quantities on request
- Like ●, but except size 60 and 80
- Delivery time on request

Ewellix linear ball bearings range and availability

| Range | Assortment | Type | Feature | Variant | Design | Chapter | | |
|-------------------------|--------------|----------------------------------|----------------------|--|--------------------|----------------|-------|-------|
| - | - | - | - | - | - | - | | |
| Standard range | Linear Units | LVCR | - | single unit shielded single unit sealed | flanged flanged | 3.4.8 | | |
| | | LVCD | self-aligning | single unit shielded single unit sealed | flanged flanged | 3.4.8 | | |
| | | LTCR | - | tandem unit shielded tandem unit sealed | closed closed | 3.4.9 | | |
| | | LTCD | self-aligning | tandem unit shielded tandem unit sealed | closed closed | 3.4.9 | | |
| | | LTCT | - | tandem unit shielded tandem unit sealed | open open | 3.4.10 | | |
| | | LTCF | self-aligning | tandem unit shielded tandem unit sealed | open open | 3.4.10 | | |
| | | LQCR | - | quadro unit shielded quadro unit sealed | closed closed | 3.4.11 | | |
| | | LQCD | self-aligning | quadro unit shielded quadro unit sealed | closed closed | 3.4.11 | | |
| | | LQCT | - | quadro unit shielded quadro unit sealed | open open | 3.4.12 | | |
| | | LQCF | self-aligning | quadro unit shielded quadro unit sealed | open open | 3.4.12 | | |
| | | Linear housings | LHCR | - | die-cast housing | closed | 3.5.1 | |
| | | | LHCS | - | die-cast housing | slotted | 3.5.1 | |
| | | | LHCT | - | die-cast housing | open | 3.5.2 | |
| | | Shaft blocks and supports | Shaft blocks | LSCS | - | shaft block | - | 3.6.1 |
| | | | | LSHS | - | compact block | - | 3.6.2 |
| | | | | LSNS | - | standard block | - | 3.6.3 |
| LEBS | - | | | compact tandem block | A | 3.6.4 | | |
| LEAS | - | | | standard tandem block | A | 3.6.5 | | |
| Shaft supports | LEAS | | - | standard tandem block | B | 3.6.5 | | |
| | LRCB | | - | standard support | - | 3.6.6 | | |
| L RCC | - | standard support | - | 3.6.6 | | | | |
| Precision shafts | Solid shaft | LJM | - | high-grade steel | - | 3.7 | | |
| | | LJMR | - | stainless steel | - | | | |
| | | LJMS | - | stainless steel | - | | | |
| | | LJMH | - | hard chrome plated | - | | | |
| | Hollow shaft | LJT | - | high-grade steel | - | | | |
| Linear slides | LZBU A | - | quadro manual driven | closed | 3.8.1 | | | |
| | LZBU B | - | shafts manual driven | closed | 3.8.2 | | | |
| | LZAU | - | quadro manual driven | open | 3.8.3 | | | |

| Type | Size [mm] | | | | | | | | | | | | | | | | Variant | | |
|--------|-----------|---|---|---|---|----|----|----|----|----|----|----|----|----|----|----|---------|----|----|
| | 3 | 4 | 5 | 6 | 8 | 10 | 12 | 14 | 16 | 20 | 25 | 30 | 40 | 50 | 60 | 80 | HV6 | PB | PA |
| LVCR | - | - | - | - | - | - | ● | - | ● | ● | ● | ● | ● | ● | ● | ● | - | - | ● |
| LVCD | - | - | - | - | - | - | ● | - | ● | ● | ● | ● | ● | ● | ● | - | - | - | - |
| LTCT | - | - | - | - | - | - | ● | - | ● | ● | ● | ● | ● | ● | ● | - | - | - | - |
| LTCD | - | - | - | - | - | - | ● | - | ● | ● | ● | ● | ● | ● | ● | - | - | - | - |
| LQCR | - | - | - | - | ● | - | ● | - | ● | ● | ● | ● | ● | ● | ● | - | - | - | - |
| LQCD | - | - | - | - | ● | - | ● | - | ● | ● | ● | ● | ● | ● | ● | - | - | - | - |
| LQCT | - | - | - | - | ● | - | ● | - | ● | ● | ● | ● | ● | ● | ● | - | - | - | - |
| LQCF | - | - | - | - | ● | - | ● | - | ● | ● | ● | ● | ● | ● | ● | - | - | - | - |
| LHCR | - | - | - | - | ● | - | ● | - | ● | ● | ● | ● | ● | ● | ● | ● | - | - | - |
| LHCS | - | - | - | - | ● | - | ● | - | ● | ● | ● | ● | ● | ● | ● | ● | - | - | - |
| LHCT | - | - | - | - | ● | - | ● | - | ● | ● | ● | ● | ● | ● | ● | ● | - | - | - |
| LSCS | - | - | - | - | ● | - | ● | - | ● | ● | ● | ● | ● | ● | ● | ● | - | - | - |
| LSHS | - | - | - | - | - | - | ● | - | ● | ● | ● | ● | ● | ● | ● | - | - | - | - |
| LSNS | - | - | - | - | - | - | ● | - | ● | ● | ● | ● | ● | ● | ● | - | - | - | - |
| LEBS | - | - | - | - | - | - | ● | - | ● | ● | ● | ● | ● | ● | ● | - | - | - | - |
| LEAS | - | - | - | - | - | - | ● | - | ● | ● | ● | ● | ● | ● | ● | - | - | - | - |
| LRCB | - | - | - | - | - | - | ● | - | ● | ● | ● | ● | ● | ● | ● | ● | - | - | - |
| LRCC | - | - | - | - | - | - | ● | - | ● | ● | ● | ● | ● | ● | ● | ● | - | - | - |
| LJM | ● | ● | ● | ● | ● | ● | ● | ● | ● | ● | ● | ● | ● | ● | ● | ● | - | - | - |
| LJMR | ● | ● | ● | ● | ● | ● | ● | ● | ● | ● | ● | ● | ● | ● | ● | ● | - | - | - |
| LJMS | - | - | - | ● | ● | ● | ● | ● | ● | ● | ● | ● | ● | ● | ● | ● | - | - | - |
| LJMH | - | - | ● | ● | ● | ● | ● | ● | ● | ● | ● | ● | ● | ● | ● | ● | - | - | - |
| LJT | - | - | - | - | - | - | ● | - | ● | ● | ● | ● | ● | ● | ● | ● | - | - | - |
| LZBU A | - | - | - | - | ● | - | ● | - | ● | ● | ● | ● | ● | ● | ● | - | - | - | - |
| LZBU B | - | - | - | - | ● | - | ● | - | ● | ● | ● | ● | ● | ● | ● | - | - | - | - |
| LZAU | - | - | - | - | - | - | ● | - | ● | ● | ● | ● | ● | ● | ● | - | - | - | - |

- Items usually available from stock
- Delivery time usually 10 days for max. quantity of 4; larger quantities on request; ; for precision shafts see details in **chapter 3.7.7**
- Like ●, but except size 60 and 80
- Delivery time on request

1.4 Applications of linear bearings

Miter saw - Woodworking industry

A power tool that is used to make a quick, accurate crosscut in a workpiece. The saw's cutting head is guided by linear ball bearings mounted on a chrome plated shaft.

Why linear ball bearings:

- Extremely good sealing function
- Low maintenance with pre-lubricated bearings
- Precise motion with exact preloaded bearings
- Shaft surface protection by hard chrome coating



Pick and place - Automation industry

Precise linear motion in up to 3 axes for handling small machine parts or doing testing or liquid handling. Linear ball bearings can be used in one or several axes to boost productivity.

Why linear ball bearings:

- Easy integration and installation
- Made for high speed and acceleration
- Nearly no maintenance with double lip seal
- High precision by pre-defined clearance or preload

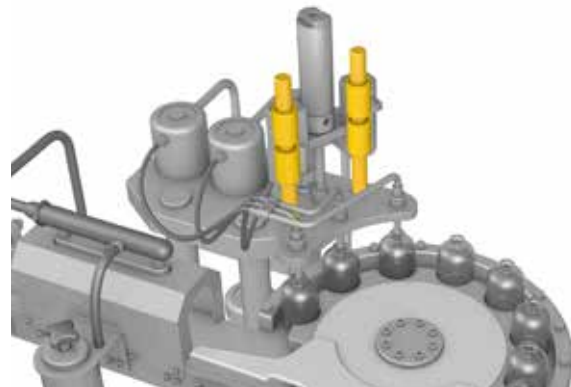


Filling station – Beverage machine

To fill bottles with any liquid, the fillers move up and down in the production line. The vertical movement of the filler is supported by linear ball bearings.

Why linear ball bearings:

- Customised grease options for food industry
- Extremely good sealing performance with round shaft
- Corrosion resistance by using stainless steel bearings
- Long service life by using standard range bearings



Train doors – Railway industry

Train, tram and bus doors must open securely and widely all day long. The parallel side movement of the door systems is based on a linear ball bearing solution.

Why linear ball bearings:

- Robustness ensures long service life
- Highly integrated solution supports widely open doors
- Ewellix linear bearings fulfill EN 45545-2 railway norm
- Sealing performance fits rough environment

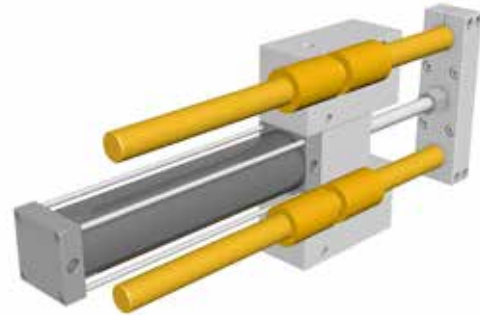


Pneumatic slides – Automation industry

Common, pneumatic driven linear slide in automation. It has been used for many applications and industries for lifting, pushing, transporting and handling.

Why linear ball bearings:

- Easy to mount self-holding bearing
- Nearly maintenance free with factory pre-lubrication
- Robust against slight misalignment or bending
- Small sizes in mini slides follow miniaturisation trend

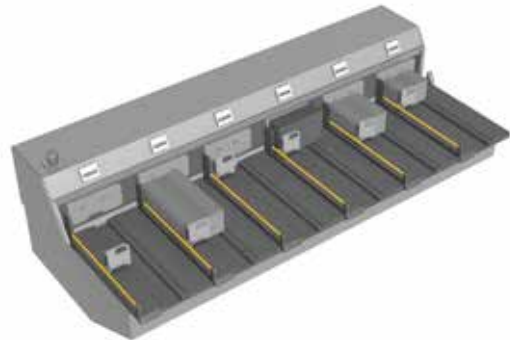


Postal sorting – Special machinery

Paddles staple the sorted mail by zip code into series of bins. The linear ball bearing assembly enables the motion of the paddle in each bin.

Why linear ball bearings:

- Sealing performance withstands paper dust
- Customised narrow friction requirements in motion
- Clearance adjustment able to do radial motion
- Secured quality by customised unit assembly



Machine doors – Plastic machinery

On many production machines, safety doors protect the worker from accidents. Manually driven machine doors are guided by linear ball bearings.

Why linear ball bearings:

- Smooth and low friction motion for the worker
- Easy to realise with Ewellix standard units
- Robust against shaft bending with self-aligning function
- Corrosion resistance with stainless steel shafts



Long term injection – Medical industry

Dosing and regulation at long term injectors for medical patient treatment. Here linear ball bearings secure the safety and precision of the motion.

Why linear ball bearings:

- Customised anti-rotation bearing and shaft solution
- Low friction for motion and sealing function
- Integrated hollow shaft functionality
- Made from standard components



Edge band machine – Woodworking

Plywood and chipboard often need edge bands. Band machines glue edge bands to the work pieces. Linear bearings adjust the pressing, milling and sanding units.

Why linear ball bearings:

- Double lip seals prolong service intervals
- High load ratings support long rating life
- Vibration-less positioning with rigid preloaded bearings
- Shaft solution withstands wood dust best



Automatic coffee maker - Food industry

To fit all sizes of cups and coffee choices, the coffee outlet can be moved manually up and down. Linear ball bearings are utilised for that height adjustment.

Why linear ball bearings:

- Smooth frictionless motion even under bending load
- Stainless steel variant and shaft for corrosion protection
- Miniature sizes for perfect compact integration
- Lubed for life by pre-lubrication and double lip seal

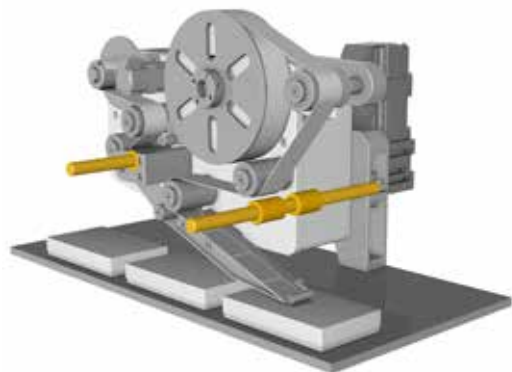


Labelling machine – Packaging industry

Product labels need to be fixed on products at different positions. The precise position of the labeler is adjusted by linear ball bearings.

Why linear ball bearings:

- Easy realisation with standard bearing units
- Shafts used as guide and structure element
- Stainless steel variant and shaft for corrosion protection
- Low maintenance as bearings are pre-lubricated



Leg press machine - Fitness equipment

A leg press machine as multifunctional training equipment for fitness and rehabilitation. Linear bearings guide the movement of the person and smoothen the motion.

Why linear ball bearings:

- Smooth motion with self-aligning even under shaft bending
- Chrome plated shafts for corrosion protection
- Low audible noise due to optimised ball recirculation
- Minimised friction with high quality linear ball bearings





2

Selection guide



2.1 Technical data

2.1.1 Permissible operating conditions

The correct functioning of a linear ball bearing guiding system can only be maintained if the principal operating limits are not exceeded. The validity of the rating life calculations is based on the observance of the operating conditions described below.

Permissible operating temperatures

The permissible operating temperature range for continuous operation of Ewellix linear ball bearings is from -20 to $+80$ °C and is determined by the cage and seal materials. Lower and higher temperatures can be tolerated for brief periods.

Permissible speed and acceleration

Linear ball bearings can be used up to following limits:

Maximum speed: $v_{\max} = 5$ m/s

Maximum acceleration: $a_{\max} = 100$ m/s²

Higher running speeds and further acceleration are possible, depending on the bearing design, bearing size, applied load, lubricant and bearing preload. In such cases it is recommended to ask Ewellix for advice.

Required minimum load

In order to assure slip-free running of a linear ball bearing, as a general guideline, the load $P \geq 0,02 \cdot C$ should be applied.

Minimum load is of special importance in linear guiding systems which operate at high speed or with high acceleration. In such cases, the inertia forces of the balls and the friction within the lubricant can have an adverse effect on the rolling conditions in the bearing and can lead to damaging slip conditions between the rolling elements and raceways.

Permissible maximum load

ISO 14728 Part 1 stipulates that calculation of bearing life is valid only when the equivalent dynamic mean load P_m of a linear bearing does not exceed 50 % of the dynamic load rating C . Any higher loading leads to an imbalance of stress distribution, which can have a negative impact on bearing life. As stated in ISO 14728 Part 2, the maximum load should not exceed 50 % of the static load rating C_0 .

Standstill

IMPORTANT: Damage can occur to linear ball bearings when they are stationary for long periods and subjected to vibration from external sources. Micro-movement in the contact zone between rolling elements and raceways can damage the surfaces. This will cause a significant increase in running noise and premature failure through material fatigue. Damage of this kind through vibration when stationary should be avoided at all costs, for instance by isolating the bearings from external vibration and taking suitable precautions during transport.

2.1.2 Accuracy

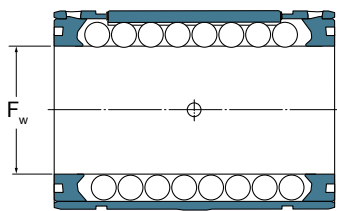
In general, the basic dimensions of Ewellix compact and standard linear ball bearings are according to ISO 10285. Ewellix linear ball bearings are manufactured to the tolerances indicated in **tables 1, 2 and 3**. The indicated values for max. and min. refer to the permissible deviation from the nominal values.

The next chapter explains how given values contribute to the clearance / preload characteristic of a linear guide.

NOTE: On request Ewellix offers linear ball bearings with customized values for $F_{ws, max}$ and $F_{ws, min}$. It's feasible to shift $F_{ws, max}$ and $F_{ws, min}$ conjoined as well as to reduce the difference between $F_{ws, max}$ and $F_{ws, min}$ by about one international tolerance grade (IT-grade) related to the diameter of the shaft.

Table 1

Tolerances of inscribed diameter of the ball set of linear ball bearings



Legend:

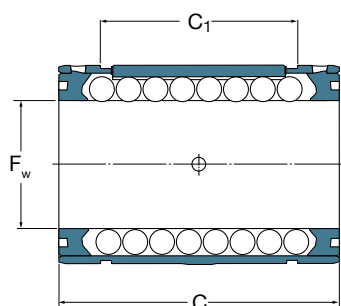
- F_w = nominal inscribed diameter of the ball set
= nominal diameter of shaft
- $F_{ws, max}$ = largest inscribed diameter measurements of the ball set
- $F_{ws, min}$ = smallest inscribed diameter measurements of the ball set

| Size F_w mm | Compact range | | | Standard range | | | | Tolerance | | Type | | Tolerance | |
|---------------------|---------------|---|--|----------------|------|--------------------|--------------------|--------------------------------------|---|------|--------------------------------------|-----------|-------|
| | Type | Tolerance $F_{ws, max}$ $F_{ws, min}$ µm | | Type | | | | $F_{ws, max}$ $F_{ws, min}$ µm | | | $F_{ws, max}$ $F_{ws, min}$ µm | | |
| 3 | LBBR | +12 0 | | - | - | - | - | - | - | - | - | - | - |
| 4 | LBBR | +15 0 | | - | - | - | - | - | - | - | - | - | - |
| 5 | LBBR | +15 0 | | LBCR | - | - | - | +12 | 0 | - | - | - | - |
| 6 | LBBR | +15 0 | | - | - | - | - | - | - | - | - | - | - |
| 8 | LBBR | +18 0 | | LBCR | - | - | - | +15 | 0 | - | - | - | - |
| 10 | LBBR | +18 0 | | - | - | - | - | - | - | - | - | - | - |
| 12 | LBBR | +21 0 | | LBCR | LBCD | LBCT | LBCF | +17 | 0 | - | - | - | - |
| 14 | LBBR | +21 0 | | - | - | - | - | - | - | - | - | - | - |
| 16 | LBBR | +21 0 | | LBCR | LBCD | LBCT | LBCF | +17 | 0 | - | - | - | - |
| 20 | LBBR | +26 0 | | LBCR | LBCD | LBCT | LBCF | +19 | 0 | LBHT | - | - | +21 0 |
| 25 | LBBR | +26 0 | | LBCR | LBCD | LBCT ^{u)} | LBCF ^{u)} | +19 | 0 | LBHT | LBCT A | LBCF A | +21 0 |
| 30 | LBBR | +26 0 | | LBCR | LBCD | LBCT | LBCF | +19 | 0 | LBHT | | | +21 0 |
| 40 | LBBR | +31 0 | | LBCR | LBCD | LBCT ^{u)} | LBCF ^{u)} | +21 | 0 | LBHT | LBCT A | LBCF A | +25 0 |
| 50 | LBBR | +31 0 | | LBCR | LBCD | LBCT | LBCF | +25 | 0 | LBHT | - | - | +25 0 |
| 60 | - | - | | LBCR | - | LBCT | - | +30 | 0 | - | - | - | - |
| 80 | - | - | | LBCR | - | LBCT | - | +30 | 0 | - | - | - | - |

^{u)} Size 25 available from Q1/2021; Size 40 under development; A-design linear ball bearings of both sizes are available until replacement

Table 2

Tolerances of width of linear ball bearings



Legend:

- F_w = nominal inscribed diameter of the ball set
= nominal diameter of shaft
- C = width of linear ball bearing
- C_1 = distance of outer edges of the grooves in the outside cylindrical surface of a linear ball bearing

| Size F_w mm | Compact range | | Standard range | | | | | Tolerance | | | |
|---------------------|---------------|----------------------|----------------|------|------|------|------|-----------|--------|------------|---|
| | Type | Tolerance C mm | Type | | | | | C mm | | C_1 - | |
| 3 | LBBR | $\pm 0,18$ | - | - | - | - | - | - | - | - | - |
| 4 | LBBR | $\pm 0,215$ | - | - | - | - | - | - | - | - | - |
| 5 | LBBR | $\pm 0,215$ | LBCR | - | - | - | - | 0 | -0,52 | +0,27 | 0 |
| 6 | LBBR | $\pm 0,26$ | - | - | - | - | - | - | - | - | - |
| 8 | LBBR | $\pm 0,26$ | LBCR | - | - | - | - | 0 | -0,52 | +0,27 | 0 |
| 10 | LBBR | $\pm 0,26$ | - | - | - | - | - | - | - | - | - |
| 12 | LBBR | $\pm 0,26$ | LBCR | LBCD | LBCT | LBCF | - | 0 | -0,62 | +0,33 | 0 |
| 14 | LBBR | $\pm 0,26$ | - | - | - | - | - | - | - | - | - |
| 16 | LBBR | $\pm 0,26$ | LBCR | LBCD | LBCT | LBCF | - | 0 | -0,62 | +0,33 | 0 |
| 20 | LBBR | $\pm 0,26$ | LBCR | LBCD | LBCT | LBCF | LBHT | 0 | -0,62 | +0,39 | 0 |
| 25 | LBBR | $\pm 0,31$ | LBCR | LBCD | LBCT | LBCF | LBHT | 0 | -0,74 | +0,39 | 0 |
| 30 | LBBR | $\pm 0,31$ | LBCR | LBCD | LBCT | LBCF | LBHT | 0 | -0,740 | +0,46 | 0 |
| 40 | LBBR | $\pm 0,37$ | LBCR | LBCD | LBCT | LBCF | LBHT | 0 | -0,74 | +0,46 | 0 |
| 50 | LBBR | $\pm 0,37$ | LBCR | LBCD | LBCT | LBCF | LBHT | 0 | -0,87 | +0,6 | 0 |
| 60 | - | - | LBCR | - | LBCT | - | - | 0 | -1 | +0,8 | 0 |
| 80 | - | - | LBCR | - | LBCT | - | - | 0 | -1 | +1 | 0 |

Operating clearance

With Ewellix slotted housings, the total clearance of a mounted linear ball bearing can be adjusted from light clearance to preload, according to the need of the application. This can be done with slotted units like: LUCS, LUCE, LUNS, LUNE, as well as for all single open units.

For Ewellix linear ball bearings in housings with fixed diameter, the total clearance of the mounted linear ball bearing is accumulated by

- the housing bore tolerance (↳ **chapter 4.1.2**),
- the radial clearance of the unmounted linear ball bearing (↳ **chapter 2.1.2**),
- the shaft diameter tolerance (↳ **chapter 3.7.6**).

The predicted operating clearance for the various bearing designs may be obtained from **tables 3, 4** and **5** for shaft tolerances of h6 and h7 and 6 variations of housing bore tolerances. While the first line states the theoretically possible limiting values of the operating clearance after mounting (grey background), the second line indicates the limiting values reached with more than 99 % reliability assuming Gaussian normal distribution of individual tolerances.

NOTE: With relatively rough housing bores or during running in, this operating clearance can be increased by smoothing.

NOTE: At operating temperature, the ambient temperature as well as the temperature of the shaft, bearing and housing and the housing material also influence the operating clearance.

Table 3

Tolerances of inscribed diameter of the ball set of compact linear ball bearings

| Designation | Theoretical and predicted operating clearance | | | | | | | | | | | |
|-------------|---|-----|--------|-----|--------|-----|---|-----|--------|-----|--------|-----|
| | with shaft tolerance h6 and housing tolerance | | | | | | with shaft tolerance h7 and housing tolerance | | | | | |
| | H6 max | min | J6 max | min | K6 max | min | H7 max | min | J7 max | min | K7 max | min |
| LBBR 3 | 27 | 0 | 23 | -4 | 20 | -7 | 37 | 0 | 30 | -7 | 27 | -10 |
| | 22 | 5 | 18 | 1 | 15 | -2 | 29 | 8 | 22 | 1 | 19 | -2 |
| LBBR 4 | 32 | 0 | 28 | -4 | 25 | -7 | 42 | 0 | 35 | -7 | 32 | -10 |
| | 26 | 6 | 22 | 2 | 19 | -1 | 33 | 9 | 26 | 2 | 23 | -1 |
| LBBR 5 | 32 | 0 | 28 | -4 | 25 | -7 | 42 | 0 | 35 | -7 | 32 | -10 |
| | 26 | 6 | 22 | 2 | 19 | -1 | 33 | 9 | 26 | 2 | 23 | -1 |
| LBBR 6 | 34 | 0 | 29 | -5 | 25 | -9 | 45 | 0 | 37 | -8 | 33 | -12 |
| | 27 | 7 | 22 | 2 | 18 | -2 | 36 | 9 | 28 | 1 | 24 | -3 |
| LBBR 8 | 38 | 0 | 33 | -5 | 29 | -9 | 51 | 0 | 43 | -8 | 39 | -12 |
| | 30 | 8 | 25 | 3 | 21 | -1 | 40 | 11 | 32 | 3 | 28 | -1 |
| LBBR 10 | 38 | 0 | 33 | -5 | 29 | -9 | 51 | 0 | 43 | -8 | 39 | -12 |
| | 30 | 8 | 25 | 3 | 21 | -1 | 40 | 11 | 32 | 3 | 28 | -1 |
| LBBR 12 | 45 | 0 | 40 | -5 | 34 | -11 | 60 | 0 | 51 | -9 | 45 | -15 |
| | 36 | 9 | 31 | 4 | 25 | -2 | 47 | 13 | 38 | 4 | 32 | -2 |
| LBBR 14 | 45 | 0 | 40 | -5 | 34 | -11 | 60 | 0 | 51 | -9 | 45 | -15 |
| | 36 | 9 | 31 | 4 | 25 | -2 | 47 | 13 | 38 | 4 | 32 | -2 |
| LBBR 16 | 45 | 0 | 40 | -5 | 34 | -11 | 60 | 0 | 51 | -9 | 45 | -15 |
| | 36 | 9 | 31 | 4 | 25 | -2 | 47 | 13 | 38 | 4 | 32 | -2 |
| LBBR 20 | 52 | 0 | 47 | -5 | 41 | -11 | 68 | 0 | 59 | -9 | 53 | -15 |
| | 42 | 10 | 37 | 5 | 31 | -1 | 54 | 14 | 45 | 5 | 39 | -1 |
| LBBR 25 | 55 | 0 | 49 | -6 | 42 | -13 | 72 | 0 | 61 | -11 | 54 | -18 |
| | 44 | 11 | 38 | 5 | 31 | -2 | 57 | 15 | 46 | 4 | 39 | -3 |
| LBBR 30 | 55 | 0 | 49 | -6 | 42 | -13 | 72 | 0 | 61 | -11 | 54 | -18 |
| | 44 | 11 | 38 | 5 | 31 | -2 | 57 | 15 | 46 | 4 | 39 | -3 |
| LBBR 40 | 66 | 0 | 60 | -6 | 51 | -15 | 86 | 0 | 74 | -12 | 65 | -21 |
| | 53 | 13 | 47 | 7 | 38 | -2 | 68 | 18 | 56 | 6 | 47 | -3 |
| LBBR 50 | 66 | 0 | 60 | -6 | 51 | -15 | 86 | 0 | 74 | -12 | 65 | -21 |
| | 53 | 13 | 47 | 7 | 38 | -2 | 68 | 18 | 56 | 6 | 47 | -3 |

Table 4

Tolerances of inscribed diameter of the ball set of standard linear ball bearings

| Designation | Theoretical and predicted operating clearance | | | | | | | | | | | |
|-------------|---|-----|-----------|-----|-----------|-----|---|-----|-----------|-----|-----------|-----|
| | with shaft tolerance h6 and housing tolerance | | | | | | with shaft tolerance h7 and housing tolerance | | | | | |
| | H6 max µm | min | J6 max | min | K6 max | min | H7 max µm | min | J7 max | min | K7 max | min |
| LBC_ 5 | 31 | 0 | 26 | -5 | 22 | -9 | 42 | 0 | 34 | -8 | 30 | -12 |
| | 25 | 6 | 20 | 1 | 16 | -3 | 33 | 9 | 25 | 1 | 21 | -3 |
| LBC_ 8 | 36 | 0 | 31 | -5 | 27 | -9 | 49 | 0 | 41 | -8 | 37 | -12 |
| | 29 | 7 | 24 | 2 | 20 | -2 | 39 | 10 | 31 | 2 | 27 | -2 |
| LBC_ 12 | 41 | 0 | 36 | -5 | 30 | -11 | 56 | 0 | 47 | -9 | 41 | -15 |
| | 33 | 8 | 28 | 3 | 22 | -3 | 44 | 12 | 35 | 3 | 29 | -3 |
| LBC_ 16 | 41 | 0 | 36 | -5 | 30 | -11 | 56 | 0 | 47 | -9 | 41 | -15 |
| | 33 | 8 | 28 | 3 | 22 | -3 | 44 | 12 | 35 | 3 | 29 | -3 |
| LBC_ 20 | 48 | 0 | 42 | -6 | 35 | -13 | 65 | 0 | 54 | -11 | 47 | -18 |
| | 38 | 10 | 32 | 4 | 25 | -3 | 51 | 14 | 40 | 3 | 33 | -4 |
| LBC_ 25 | 48 | 0 | 42 | -6 | 35 | -13 | 65 | 0 | 54 | -11 | 47 | -18 |
| | 38 | 10 | 32 | 4 | 25 | -3 | 51 | 14 | 40 | 3 | 33 | -4 |
| LBC_ 30 | 48 | 0 | 42 | -6 | 35 | -13 | 65 | 0 | 54 | -11 | 47 | -18 |
| | 38 | 10 | 32 | 4 | 25 | -3 | 51 | 14 | 40 | 3 | 33 | -4 |
| LBC_ 40 | 56 | 0 | 50 | -6 | 41 | -15 | 76 | 0 | 64 | -12 | 55 | -21 |
| | 44 | 12 | 38 | 6 | 29 | -3 | 60 | 16 | 48 | 4 | 39 | -5 |
| LBC_ 50 | 60 | 0 | 54 | -6 | 45 | -15 | 80 | 0 | 68 | -12 | 59 | -21 |
| | 48 | 12 | 42 | 6 | 33 | -3 | 63 | 17 | 51 | 5 | 42 | -4 |
| LBC_ 60 | 71 | 0 | 65 | -6 | 53 | -18 | 95 | 0 | 82 | -13 | 70 | -25 |
| | 56 | 15 | 50 | 9 | 38 | -3 | 75 | 20 | 62 | 7 | 50 | -5 |
| LBC_ 80 | 71 | 0 | 65 | -6 | 53 | -18 | 95 | 0 | 82 | -13 | 70 | -25 |
| | 56 | 15 | 50 | 9 | 38 | -3 | 75 | 20 | 62 | 7 | 50 | -5 |

Table 5

Tolerances of inscribed diameter of the ball set of heavy duty linear ball bearings

| Designation | Theoretical and predicted operating clearance | | | | | | | | | | | |
|-------------|---|-----|-----------|-----|-----------|-----|---|-----|-----------|-----|-----------|-----|
| | with shaft tolerance h6 and housing tolerance | | | | | | with shaft tolerance h7 and housing tolerance | | | | | |
| | H6 max µm | min | J6 max | min | K6 max | min | H7 max µm | min | J7 max | min | K7 max | min |
| LBHT 20 | 50 | 0 | 44 | -6 | 37 | -13 | 67 | 0 | 56 | -11 | 49 | -18 |
| | 40 | 10 | 34 | 4 | 27 | -3 | 53 | 14 | 42 | 3 | 35 | -4 |
| LBHT 25 | 50 | 0 | 44 | -6 | 37 | -13 | 67 | 0 | 56 | -11 | 49 | -18 |
| | 40 | 10 | 34 | 4 | 27 | -3 | 53 | 14 | 42 | 3 | 35 | -4 |
| LBHT 30 | 50 | 0 | 44 | -6 | 37 | -13 | 67 | 0 | 56 | -11 | 49 | -18 |
| | 40 | 10 | 34 | 4 | 27 | -3 | 53 | 14 | 42 | 3 | 35 | -4 |
| LBHT 40 | 60 | 0 | 54 | -6 | 45 | -15 | 80 | 0 | 68 | -12 | 59 | -21 |
| | 48 | 12 | 42 | 6 | 33 | -3 | 63 | 17 | 51 | 5 | 42 | -4 |
| LBHT 50 | 60 | 0 | 54 | -6 | 45 | -15 | 80 | 0 | 68 | -12 | 59 | -21 |
| | 48 | 12 | 42 | 6 | 33 | -3 | 63 | 17 | 51 | 5 | 42 | -4 |



2.1.3 Rigidity

Rigidity of linear ball bearing guides

Next to its load carrying capacity (→ **chapter 2.2**), the deflection of a linear guiding system is one of the most significant criteria for the selection of a suitable system. Stiffness is defined as the ratio between load and deflection at the point of application of load and in the direction of load. The deflection of the individual elements normally contributes to the total deflection; parallel and series linking of the individual elements must be taken into consideration.

- Because of the convex-convex contact between the shaft and balls, the linear ball bearing guide possesses the least rigidity of the various linear guiding systems.
- Furthermore, in the case of unsupported guides, the deflection of the shaft under load reduces the rigidity of the system significantly. The contribution of the shaft deflection to the total deflection will be explained in paragraph "Deflection and misalignment of shafts".

Elastic deformation of clearance free Linear ball bearing in the contact zone

Based on a clearance-free guide, the elastic deformations of various linear ball bearings depending on the load are shown in **diagrams 1, 2** and **3**. In the graphs, the load is characterized as a fraction with static load rating C_0 as denominator. With preloaded guides, the elastic deformations will be smaller, i.e. rigidity is higher than that given in the diagrams.

NOTE: If radial clearance occurs (→ **chapter 2.1.2**), higher elastic deformation has to be expected. In case of alternating load directions, it may also be necessary to insert the radial clearance as reverse clearance in the calculation.

Diagram 1

Elastic deformation of clearance-free compact linear ball bearings in the ball contact zone

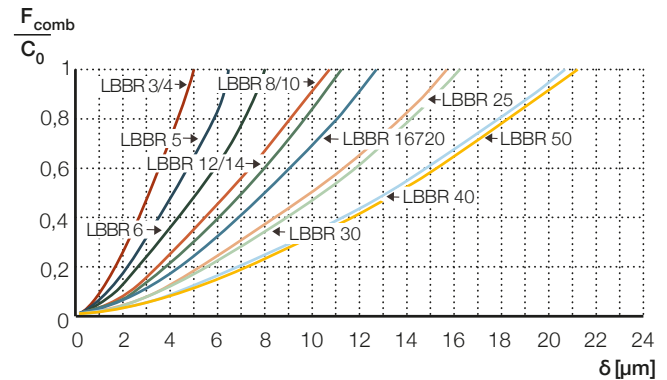


Diagram 2

Elastic deformation of clearance-free standard linear ball bearings in the ball contact zone

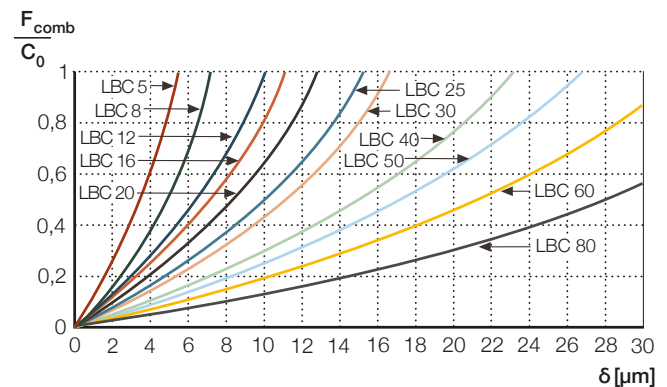
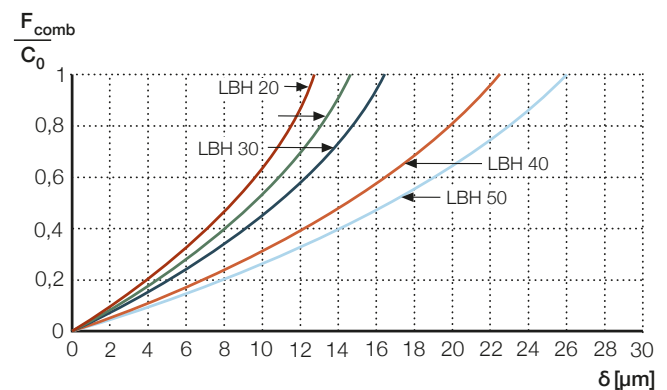


Diagram 3

Elastic deformation of clearance-free heavy duty linear ball bearings in the ball contact zone



where:

C_0 = basic static load rating [N] (→ **chapter 2.2.1**)

F_{comb} = combined bearing load [N] (→ **chapter 2.2.2**)

Deflection and misalignment of shafts

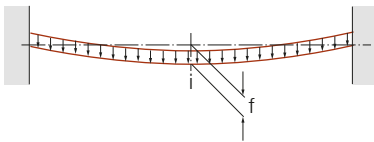
For an approximate determination of shaft deflection and shaft misalignment with respect to the central linear ball bearing, the calculation formulae shown in **diagram 4** should be used. The general theory about strength of materials is the base for given formulae. Here it is assumed that the least favourable load conditions exist, i.e. that the linear bearing unit is situated at the center position between the shaft blocks. Bending of the shaft due to its own weight must also be considered. It is also assumed that the shaft is clamped or freely supported at both ends. In this way a maximum value for the expected deflection is obtained. For further details and an example calculation, see **chapter 2.2.5**.

Diagram 4

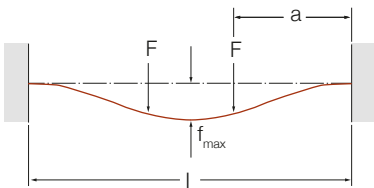
Deflection and misalignment of freely supported and clamped steel shafts.
 Calculated using $E = 206\,000\text{ N/mm}^2$ and $G = 77\,000\text{ N/m}^3$

Deflection and misalignment of a hollow shaft

a) under its own weight:
 at the loading points f_{EG} and f_{FG} , in the middle of the shaft f_{max}

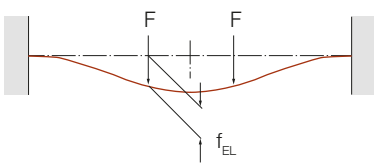


Clamped shaft:
 $f_{EG} = 2,49 \cdot 10^{-7} \cdot [a \cdot (l - a)]^2 / (d^2 + d_1^2)$ 1), 2)
 $f_{max,EG} = 1,56 \cdot 10^{-8} \cdot l^4 / (d^2 + d_1^2)$ 1), 2)
 $\alpha_{EG} = 1,71 \cdot 10^{-6} \cdot a \cdot (l^2 + 2a^2 - 3al) / (d^2 + d_1^2)$ 1)

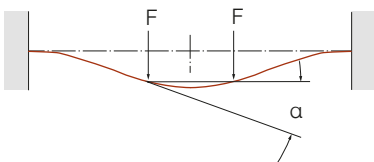


Freely supported shaft:
 $f_{FG} = 2,49 \cdot 10^{-7} \cdot a \cdot (l - a) \cdot (l^2 - a^2 + al) / (d^2 + d_1^2)$ 1), 2)
 $f_{max,FG} = 7,78 \cdot 10^{-8} \cdot l^4 / (d^2 + d_1^2) = 5 \cdot f_{max,EG}$ 1), 2)
 $\alpha_{FG} = 8,57 \cdot 10^{-7} \cdot (l^3 + 4a^3 - 6a^2l) / (d^2 + d_1^2)$ 1)

b) under 2 symmetrical individual loads F:
 at the loading points f_{EL} and f_{FL} , in the middle of the shaft f_{max}



Clamped shaft:
 $f_{EL} = 0,0165 \cdot F \cdot a^3 \cdot (2 - 3a/l) / (d^4 - d_1^4)$ 1), 2)
 $f_{max,EL} = 0,00412 \cdot F \cdot a^2 \cdot (3l - 4a) / (d^4 - d_1^4)$ 1), 2)
 $\alpha_{EL} = 0,17 \cdot F \cdot a^2 \cdot (1 - 2a/l) / (d^4 - d_1^4)$ 1)



Freely supported shaft:
 $f_{FL} = 0,0165 \cdot F \cdot a^2 \cdot (3l - 4a) / (d^4 - d_1^4)$ 1), 2)
 $f_{max,FL} = 0,00412 \cdot F \cdot a \cdot (3l^2 - 4a^2) / (d^4 - d_1^4)$ 1), 2)
 $\alpha_{FL} = 0,17 \cdot F \cdot a \cdot (l - 2a) / (d^4 - d_1^4)$ 1)

¹⁾ input in mm
²⁾ result in μm

Legend:

- f = shaft deflection, [μm]
- α = misalignment, [minutes of arc] = [']
- F = bearing load, [N]
- l = shaft length, [mm]
- d = shaft diameter, [mm]
- d_1 = inner diameter of hollow shaft, [mm]
- a = distance between clamping and point of application of load, [mm]

2.1.4 Friction

Friction in a linear guiding system is affected, apart from the loading, by a number of other factors, notably the type and size of the bearing, the operating speed, as well as the quality and quantity of the lubricant used.

The cumulative running resistance of a linear ball bearing is defined by the levels of several factors:

- rolling and sliding friction at rolling elements in the loaded area
- sliding friction between rolling elements and cage when returning
- friction within the lubricant
- sliding friction of the contact seals when applicable

The coefficients of friction for lubricated shielded linear ball bearings are between 0,0015 (heavy loads) and 0,005 (light loads). In bearing arrangements with contact single- and double-lip seals, the coefficient of friction will be higher due to the added friction from the seals. In addition, higher starting friction has to be expected. Values of the running friction and starting friction forces for linear ball bearings sealed at both ends can be obtained from **table 6**.

For lightly loaded linear ball bearings, the lubricant has a marked effect on the frictional properties. If using a grease with minimum viscosity according to our recommendations, the linear ball bearings will give a correspondingly higher level of basic friction compared to those using a grease with lower viscosity. This effect, however, will be reduced to a minimum after a certain period, as the grease inside the linear ball bearing becomes evenly distributed, and the surplus is removed from the ball return paths (running-in effect).

Table 6

Running and starting friction values for various linear ball bearings with two seals

| Size | Compact range | | | | Standard range | | | | | | | | | |
|------|----------------|------|------------------|-------------------|----------------|--------------------|--------------------|-----|----|-------------------|--------|--------|----|----|
| | F _w | Type | Running friction | Starting friction | Type | Running friction | | | | Starting friction | | | | |
| mm | - | N | - | - | - | - | - | - | - | - | - | - | - | - |
| 3 | LBBR | 0,4 | 1,0 | - | - | - | - | - | - | - | - | - | - | - |
| 4 | LBBR | 0,5 | 1,3 | - | - | - | - | - | - | - | - | - | - | - |
| 5 | LBBR | 0,6 | 1,7 | LBCR | - | - | - | 0,8 | 2 | - | - | - | - | - |
| 6 | LBBR | 0,7 | 2,0 | - | - | - | - | - | - | - | - | - | - | - |
| 8 | LBBR | 0,8 | 2,5 | LBCR | - | - | - | 1,5 | 4 | - | - | - | - | - |
| 10 | LBBR | 1,0 | 3,5 | - | - | - | - | - | - | - | - | - | - | - |
| 12 | LBBR | 1,5 | 5,0 | LBCR | LBCD | LBCT | LBCF | 2,5 | 5 | - | - | - | - | - |
| 14 | LBBR | 1,8 | 6,0 | - | - | - | - | - | - | - | - | - | - | - |
| 16 | LBBR | 2,0 | 7,0 | LBCR | LBCD | LBCT | LBCF | 3 | 7 | - | - | - | - | - |
| 20 | LBBR | 2,5 | 8,0 | LBCR | LBCD | LBCT | LBCF | 4 | 8 | LBHT | - | - | 4 | 12 |
| 25 | LBBR | 4,0 | 12,0 | LBCR | LBCD | LBCT ^{u)} | LBCF ^{u)} | 5 | 11 | LBHT | LBCT A | LBCF A | 5 | 14 |
| 30 | LBBR | 5,5 | 16,0 | LBCR | LBCD | LBCT | LBCF | 7 | 14 | LBHT | - | - | 6 | 18 |
| 40 | LBBR | 6,5 | 20,0 | LBCR | LBCD | LBCT ^{u)} | LBCF ^{u)} | 8 | 19 | LBHT | LBCT A | LBCF A | 8 | 24 |
| 50 | LBBR | 8,0 | 24,0 | LBCR | LBCD | LBCT | LBCF | 10 | 30 | LBHT | - | - | 10 | 30 |
| 60 | - | - | - | LBCR | - | LBCT | LBCF | 12 | 36 | LBHT | - | - | 12 | 36 |
| 80 | - | - | - | LBCR | - | LBCT | LBCF | 15 | 45 | - | - | - | 15 | 45 |

^{u)} Size 25 available from Q1/2021; Size 40 under development; A-design linear ball bearings of both sizes are available until replacement

2.2 Dimensioning of linear bearings

2.2.1 Calculation bases

To determine which bearing is the most suitable for your application, we recommend that you make the following calculations:

- Calculation of rating life
- Calculation of static safety factor

These two proven and established calculation methods must consider all loads and forces acting on the linear guide system with linear ball bearings.

Representatives of the acting bearing load that describe the whole load case are needed. These representatives must combine all forces, lever arms and torque loads, which can vary by time or stroke. The details and different formulae for the load calculation are explained in **chapter 2.2.2**. The rating life of a linear guide with rolling elements is defined as the total linear distance travelled by the linear bearing before the first sign of material fatigue occurs on one of the raceways, shafts or the rolling elements. For the selection of a linear guide based on rating life calculation, the dynamic load rating C is used. It is expressed as the load that results in a bearing life of 100 km.

The concept of static safety factor calculation

When selecting a linear guide, the static safety factor calculation must be considered when one of the following cases arises:

- The linear guide operates under load at very low speeds.
- The linear guide operates at normal conditions but must also accept heavy shock loads.
- The linear guide is loaded stationary for long periods of time.
- The linear guide is loaded with $P > 50\%$ of the dynamic load rating C where the theory of rating life calculation is not valid anymore.

In all such cases, the permissible load is determined not through material fatigue but through the permanent physical deformation at the contact zone of the rolling elements and raceways. Loads applied when stationary or at very low operating speeds, as well as heavy shock loads, cause flattening of the rolling elements and result in damage to the raceways at the shaft or at the linear ball bearing. The damage may be uneven or may be spaced along the raceway at in-

tervals corresponding to the rolling element separation. This permanent deformation leads to vibration in the bearing, more noise and increased friction and may even cause a decrease in preload and, at an advanced stage, an increase in clearance. With continued operation, this permanent deformation may become a starting point for fatigue damage due to resulting peak loads. The severity of these phenomena depends on the particular bearing application.

The method of static safety factor calculation

When determining the bearing size according to static load rating (↳ product tables in **chapter 3**), one must consider a certain relationship, known as the static safety factor s_0 , between the static load rating C_0 and the maximum static load P_0 . The static safety factor s_0 determines the degree of safety against excessive permanent deformation of the rolling elements and raceways. The static load rating, C_0 , is defined as the static load that would produce a permanent deformation of 0,0001 times the rolling element diameter. Experience shows that, depending on the contact conditions, a maximum Hertzian pressure of 5300 MPa is permissible at the zone of maximum load without affecting the running qualities of the bearing. See also ISO 14728-2.

Calculation of the static safety factor

For a chosen linear guide and a defined load case, the static safety factor s_0 can be calculated as follows.

If maximum load occurs during standstill:

$$(1) \quad s_0 = \frac{C_0}{P_0}$$

If maximum load occurs when linear guiding moves:

$$(2) \quad s_0 = \frac{C_0}{P_{max}}$$

where:

s_0 = static safety factor

C_0 = basic static load rating [N]

P_0 = maximum static load [N]

P_{max} = maximum equivalent load [N]

Depending on the operating conditions, a static safety factor s_0 according to **table 7** is recommended.

Table 7

Static safety factor depending on operating conditions

| Operating conditions | s_0 |
|-----------------------------------|--|
| Normal conditions | > 1–2 |
| Low vibration or impact loads | > 2–4 |
| Medium vibrations or impact loads | 3–5 |
| High vibrations or impact loads | > 5 |
| Overhead installations | The general technical rules and standards in the respective industrial sector must be observed. If the application poses a risk of serious injury, the user must take appropriate design and safety measures that will prevent all components from becoming detached from the base (e.g. due to loss of rolling elements or failure of screw connections). |

If, for example, the linear guide system is exposed to external vibrations from machinery in close proximity, higher safety factors should be applied. Moreover, the load transfer paths between the linear guide system and its support structure should be considered.

IMPORTANT: In particular, the screw connections must be examined for adequate safety. For overhead installations of linear guides, higher safety factors should be applied.

NOTE: The general technical rules and standards in the respective industrial sector also must be observed.

Requisite static load rating

For specific operating conditions with a related recommended static safety factor and a defined load case, the requisite static load rating C_0 can be calculated from the following formulae:

If maximum load occurs during standstill:

$$(3) \quad C_0 = s_0 \cdot P_0$$

If maximum load occurs when linear guiding moves:

$$(4) \quad C_0 = s_0 \cdot P_{max}$$

where:

C_0 = basic static load rating [N]

s_0 = static safety factor

P_0 = maximum static load [N]

P_{max} = maximum equivalent load [N]

Rating life

In laboratory tests and in practice, it has been found that the rating life of apparently similar bearings under completely identical running conditions can differ. Therefore, calculation of the appropriate bearing size requires a full understanding of the concept of bearing rating life. All references to the dynamic load rating of Ewellix linear ball bearings apply to the basic rating life, as covered by the ISO definition (ISO 14728-1), in which the rating life is understood as the life reached or exceeded by 90 % of a large group of identical bearings. The majority of the bearings reach a longer rating life, and half the total number of bearings reach at least five times the basic rating life.

Rating life calculation

The rating life of linear guides expressed in km, L_{ns} , can be calculated using the following formula:

$$(5) \quad L_{ns} = 100 \cdot \left(\frac{C}{P}\right)^p$$

In load cases where the length of travel and stroke frequency is constant, it is often more useful to calculate the rating lives in operating hours, L_{nh} , using the following formula:

$$(6) \quad L_{nh} = \frac{5 \cdot 10^7}{S_{sin} \cdot n \cdot 60} \left(\frac{C}{P}\right)^p$$

where:

L_{ns} = modified basic rating life [km]

L_{nh} = modified basic rating life [h]

C = dynamic load rating [N]

P = equivalent dynamic load [N]

p = life exponent; $p = 3$ for balls, $p = 10/3$ for rollers

n = stroke frequency [double strokes/min]

S_{sin} = single stroke length [mm]

NOTE: The concept of rating life calculation is only valid in cases where the equivalent dynamic load P does not exceed 50 % of the dynamic load rating C . See also the indication for static calculation in **chapter 2.2.1**.

NOTE: The accuracy of the life calculation of a linear guide is enhanced by the correctness of the information about the load case and the known or calculable operating conditions.

NOTE: Lifetime calculation is related to the physical effect of fatigue of material. Fatigue is the result of shear stresses cyclically appearing immediately below the load carrying surface. After a time, these stresses cause cracks that gradually extend up to the surface. As the rolling elements pass over the crack, fragments of material break away. This process is known as flaking or spalling. This flaking progressively increases and eventually makes the bearing does it also make it inoperable.

Several characteristics of the involved components affect the rating life of linear ball bearings (↳ **chapter 2.2.3**). To include these effects, the equation of rating life calculation is extended by 7 factors.

$$(7) \quad L_{ns} = 100 \cdot c_1 \cdot c_2 \cdot f_s \cdot \left(\frac{f_i \cdot f_h \cdot f_l \cdot f_m \cdot C}{F} \right)^3$$

where:

- L_{ns} = modified basic rating life [km]
- c_1 = factor for reliability
- c_2 = factor for operating conditions
- f_s = factor for stroke length
- f_i = factor for the number of loaded bearings per shaft
- f_h = factor for hardness of shaft
- f_l = factor for direction of load
- f_m = factor for misalignment
- C = dynamic load rating [N]
- F = bearing load [N]

Some of the characteristics of a linear guiding are:

- number of bearings (factor f_l)
- hardness of shaft (factor f_h)
- reliability of lifetime prediction (factor c_1)
- the operating conditions (factor c_2)

don't change during a certain application. So, related factors are constant for a particular calculation.

Other characteristics such as are:

- length of stroke (factor f_s)
- load direction (factor f_l)
- misalignment between shaft and linear bearing (factor f_m)
- the applied load itself

might differ from load phase to load phase. With respect to that different behavior, the factors, f_s , f_l and f_m will be applied in the denominator of the load.

$$(8) \quad L_{ns} = 100 \cdot c_1 \cdot c_2 \cdot \left(\frac{f_i \cdot f_h \cdot C}{F} \right)^3 = 100 \cdot c_1 \cdot c_2 \cdot \frac{(f_i \cdot f_h \cdot C)^3}{\left(\frac{F}{f_l \cdot f_m} \right)^3 \cdot \frac{1}{f_s}}$$

The range of values for all factors is between 0 and 1. So they either reduce the load rating by multiplication or increase the load by location in the denominator of the load.

Service life

In addition to rating life, there also exists the concept of “service life”. This term describes the period of time a given linear bearing remains operational in a given set of operating conditions. Therefore, the service life of the bearing depends not necessarily on fatigue but also on

- wear,
- corrosion,
- failure of seals,
- lubrication intervals (grease life),
- misalignment between the shafts,
- vibration during standstill,
- etc.

Normally, the service life can only be quantified in tests under realistic operating conditions or by comparison with similar applications.

Cross reference to related chapters

Details of the two dimensioning concepts presented in this chapter, static safety factor and basic rating life, are explained in the following chapters:

- **2.2.2 Calculation of bearing loads**
- **2.2.3 Factors of influence**
- **2.2.4 Elaborated equations for static safety and for the rating life**

2.2.2 Calculation of bearing loads

Equivalent dynamic mean load

The rating life calculation formula assumes that the load and the speed are constant. In reality, the external loads, positions and speeds change in most cases and the workflow has to be separated into load phases with constant or approximately constant conditions along their individual strokes (↳ **diagram 5**). All single load phases are summarized to the equivalent dynamic mean load P_m depending on their individual stroke length (↳ **formulae 9 and 10**).

$$(9) \quad P_m = \sqrt[p]{\frac{\sum_{j=1}^V |P_j|^p \cdot S_j}{S_{tot}}}$$

$$(10) \quad S_{tot} = S_1 + S_2 + S_3 + \dots + S_j + \dots + S_V$$

where:

- P_m = equivalent dynamic mean load [N]
- P_j = equivalent dynamic load [N] during a particular load phase
- j = counter for load phases
- V = number of load phases
- S_j = individual stroke length [mm] during a particular load phase
- S_{tot} = total stroke length [mm]
- p = life exponent; $p = 3$ for balls, $p = 10/3$ for rollers

The equivalent dynamic load P is calculated by the combined bearing load modulated by the factors for load direction and misalignment.

$$(11) \quad P_j = \frac{F_{comb,j}}{f_{l,j} \cdot f_{m,j}}$$

Applying that definition of the equivalent dynamic load P , the equivalent dynamic mean load P_m is calculated by

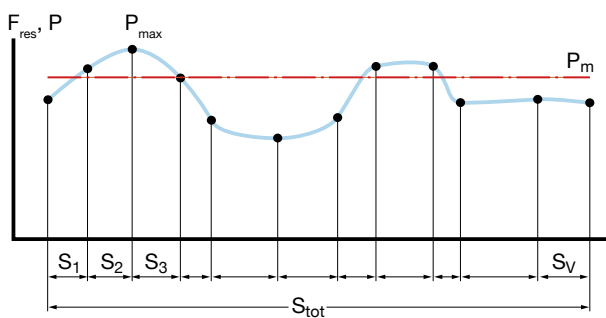
$$(12) \quad P_m = \sqrt[p]{\frac{\sum_{j=1}^V |P_j|^p \cdot S_j}{S_{tot}}} = \sqrt[p]{\frac{\sum_{j=1}^V \left(\frac{F_{comb,j}}{f_{l,j} \cdot f_{m,j}} \right)^p \cdot S_j}{S_{tot}}}$$

where:

- P_m = equivalent dynamic mean load [N]
- P_j = equivalent dynamic load [N] during a particular load phase
- j = counter for load phases
- V = number of load phases
- S_j = individual stroke length [mm] during a particular load phase
- S_{tot} = total stroke length [mm]
- p = life exponent; $p = 3$ for balls, $p = 10/3$ for rollers
- $F_{comb,j}$ = combined bearing load during a particular load phase [N]
- $f_{l,j}$ = factor for direction of load during a particular load phase
- $f_{m,j}$ = factor for misalignment during a particular load phase

Diagram 5

Variable load acting on a linear bearing



Maximum equivalent load

If maximum load occurs when linear guiding moves, the maximum value of P is required for calculating the static safety factor s_0 . To this end, all loads must be calculated for the individual stroke lengths. With these figures, the maximum equivalent load P_{max} can be detected.

P_0 , the maximum static load during standstill is calculated by the similar formula. The maximum of both values P_0 and P_{max} has to be applied in the equation for static safety factor s_0 .

$$(13) \quad P_{max} = \frac{1}{f_{h,0}} \cdot \max_{j=1 \dots V} \left| \frac{F_{comb,j}}{f_{l,0,j} \cdot f_{m,j}} \right|$$

where:

- P_0 = maximum static load [N]
- P_{max} = maximum equivalent load [N]
- $F_{comb,j}$ = combined bearing load during a load phase j [N]
- $f_{h,0}$ = static factor for hardness of shaft
- $f_{l,0,j}$ = static factor for direction of load during a load phase j
- $f_{m,j}$ = factor for misalignment during a load phase j
- j = counter for load phases
- V = number of load phases

Combined bearing loads

The combined bearing load for linear ball bearings combines the load vectors at the bearing point F_y and F_z and the absolute value of the combined bearing load is calculated by Pythagoras of F_y and F_z .

$$(14) \quad F_{\text{comb}} = \sqrt{F_y^2 + F_z^2}$$

where:

F_{comb} = combined bearing load [N]

F_y = bearing load in y-direction [N]

F_z = bearing load in z-direction [N]

The direction of the combined bearing load expressed as angle beta relative to the z-axis of the coordinate system can be calculated by the inverse tangent function (\hookrightarrow **fig. 1**).

$$(15) \quad \beta = \arctan \frac{F_y}{-F_z} \quad \text{for } -\infty < \frac{F_y}{-F_z} < \infty$$

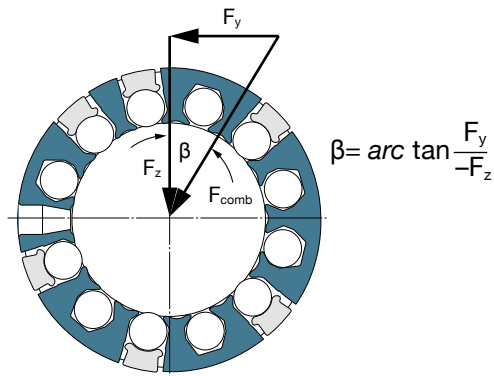
where:

F_{comb} = combined bearing load [N]

F_y = bearing load in y-direction [N]

F_z = bearing load in z-direction [N]

Fig. 1

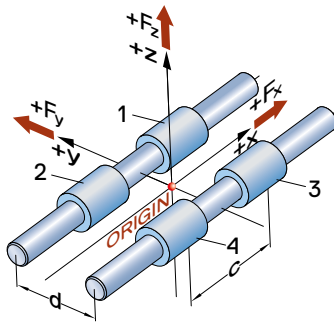


Translation of external forces to loads at the bearing point

The calculation formulae for determining the loads at the linear bearings are shown in **figures 2, 3 and 4**.

Fig. 2

Loads on a system with 2 shafts and 4 linear bearings (configuration 24)



| Bearing point | Formula |
|---|---|
| Load at the bearing point: Force in y-direction | |
| 1/3 | $F_{y1} = F_{y3} = \frac{\sum_{i=1}^U F_{y,i}}{4} - \frac{\sum_{i=1}^U (F_{x,i} \cdot y_i) - \sum_{i=1}^U (F_{z,i} \cdot x_i)}{2 \cdot c}$ |
| 2/4 | $F_{y2} = F_{y4} = \frac{\sum_{i=1}^U F_{y,i}}{4} + \frac{\sum_{i=1}^U (F_{x,i} \cdot y_i) - \sum_{i=1}^U (F_{z,i} \cdot x_i)}{2 \cdot c}$ |
| Load at the bearing point: Force in z-direction | |
| 1 | $F_{z1} = \frac{\sum_{i=1}^U F_{z,i}}{4} - \frac{\sum_{i=1}^U (F_{x,i} \cdot z_i) - \sum_{i=1}^U (F_{z,i} \cdot x_i)}{2 \cdot c} - \frac{\sum_{i=1}^U (F_{y,i} \cdot z_i) - \sum_{i=1}^U (F_{z,i} \cdot y_i)}{2 \cdot d}$ |
| 2 | $F_{z2} = \frac{\sum_{i=1}^U F_{z,i}}{4} + \frac{\sum_{i=1}^U (F_{x,i} \cdot z_i) - \sum_{i=1}^U (F_{z,i} \cdot x_i)}{2 \cdot c} - \frac{\sum_{i=1}^U (F_{y,i} \cdot z_i) - \sum_{i=1}^U (F_{z,i} \cdot y_i)}{2 \cdot d}$ |
| 3 | $F_{z3} = \frac{\sum_{i=1}^U F_{z,i}}{4} - \frac{\sum_{i=1}^U (F_{x,i} \cdot z_i) - \sum_{i=1}^U (F_{z,i} \cdot x_i)}{2 \cdot c} + \frac{\sum_{i=1}^U (F_{y,i} \cdot z_i) - \sum_{i=1}^U (F_{z,i} \cdot y_i)}{2 \cdot d}$ |
| 4 | $F_{z4} = \frac{\sum_{i=1}^U F_{z,i}}{4} + \frac{\sum_{i=1}^U (F_{x,i} \cdot z_i) - \sum_{i=1}^U (F_{z,i} \cdot x_i)}{2 \cdot c} + \frac{\sum_{i=1}^U (F_{y,i} \cdot z_i) - \sum_{i=1}^U (F_{z,i} \cdot y_i)}{2 \cdot d}$ |

where:

$F_{y1}, F_{y2}, F_{y3}, F_{y4}$ = bearing load in y-direction at bearing No. 1, No. 2, No. 3 and No. 4 [N]

$F_{z1}, F_{z2}, F_{z3}, F_{z4}$ = bearing load in z-direction at bearing No. 1, No. 2, No. 3 and No. 4 [N]

$F_{x,i}, F_{y,i}, F_{z,i}$ = external loads in x-, y- and z-direction [N]

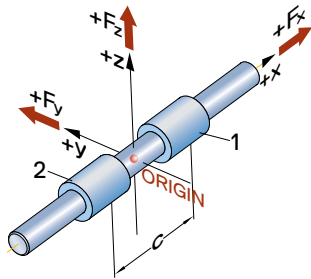
x_i, y_i, z_i = lever arms of external loads [mm]

i = counter for external loads

U = number of loads that act simultaneously

Fig. 3

Loads on a system with 1 shaft and 2 linear bearings (configuration 12)



| Bearing point | Formula |
|---|---|
| Load at the bearing point: Force in y-direction | |
| 1 | $F_{y1} = \frac{\sum_{i=1}^U F_{y,i}}{2} - \frac{\sum_{i=1}^U (F_{x,i} \cdot y_i) - \sum_{i=1}^U (F_{y,i} \cdot x_i)}{c}$ |
| 2 | $F_{y2} = \frac{\sum_{i=1}^U F_{y,i}}{2} + \frac{\sum_{i=1}^U (F_{x,i} \cdot y_i) - \sum_{i=1}^U (F_{y,i} \cdot x_i)}{c}$ |
| Load at the bearing point: Force in z-direction | |
| 1 | $F_{z1} = \frac{\sum_{i=1}^U F_{z,i}}{2} - \frac{\sum_{i=1}^U (F_{x,i} \cdot z_i) - \sum_{i=1}^U (F_{z,i} \cdot x_i)}{c}$ |
| 2 | $F_{z2} = \frac{\sum_{i=1}^U F_{z,i}}{2} + \frac{\sum_{i=1}^U (F_{x,i} \cdot z_i) - \sum_{i=1}^U (F_{z,i} \cdot x_i)}{c}$ |
| Load at the bearing point: Moment about x-axis | |
| 1/2 | $M_{x1} = M_{x2} = \frac{-\sum_{i=1}^U (F_{y,i} \cdot z_i) + \sum_{i=1}^U (F_{z,i} \cdot y_i)}{2}$ |

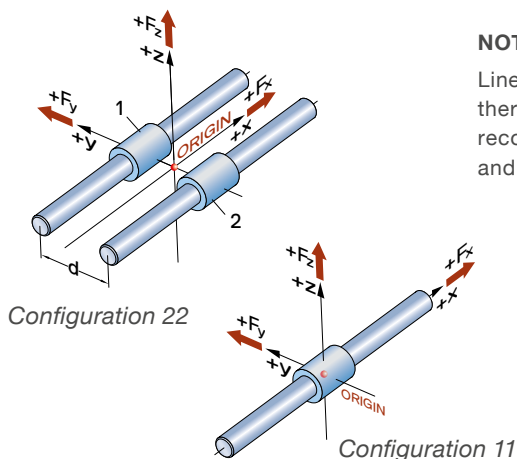
NOTE:

As linear ball bearings can't carry load about the x-axis, configuration 12 is feasible only if $M_x=0$ by the external loads itself or by additional measures.

where:

- F_{y1}, F_{y2} = bearing load in y-direction at bearing No. 1 and No. 2 [N]
- F_{z1}, F_{z2} = bearing load in z-direction at bearing No. 1 and No. 2 [N]
- M_{x1}, M_{x2} = bearing torque load about x-axis [Nmm]
- $F_{x,i}, F_{y,i}, F_{z,i}$ = external loads in x-, y- and z-direction [N]
- x, y, z = lever arms of external loads [mm]
- i = counter for external loads
- U = number of loads that act simultaneously

Fig. 4



NOTE:

Linear ball bearings are sensitive regarding edge stress and therefore they can't cover torque loads M_y and M_z . It isn't recommended to use linear ball bearings in configurations 11 and 22.

2.2.3 Factors of influence

Requisite reliability, factor c_1

The factor c_1 is used in the calculation of bearing life in cases where the intended prediction of reliability has to exceed 90 %. The corresponding values for c_1 are given in **table 8**.

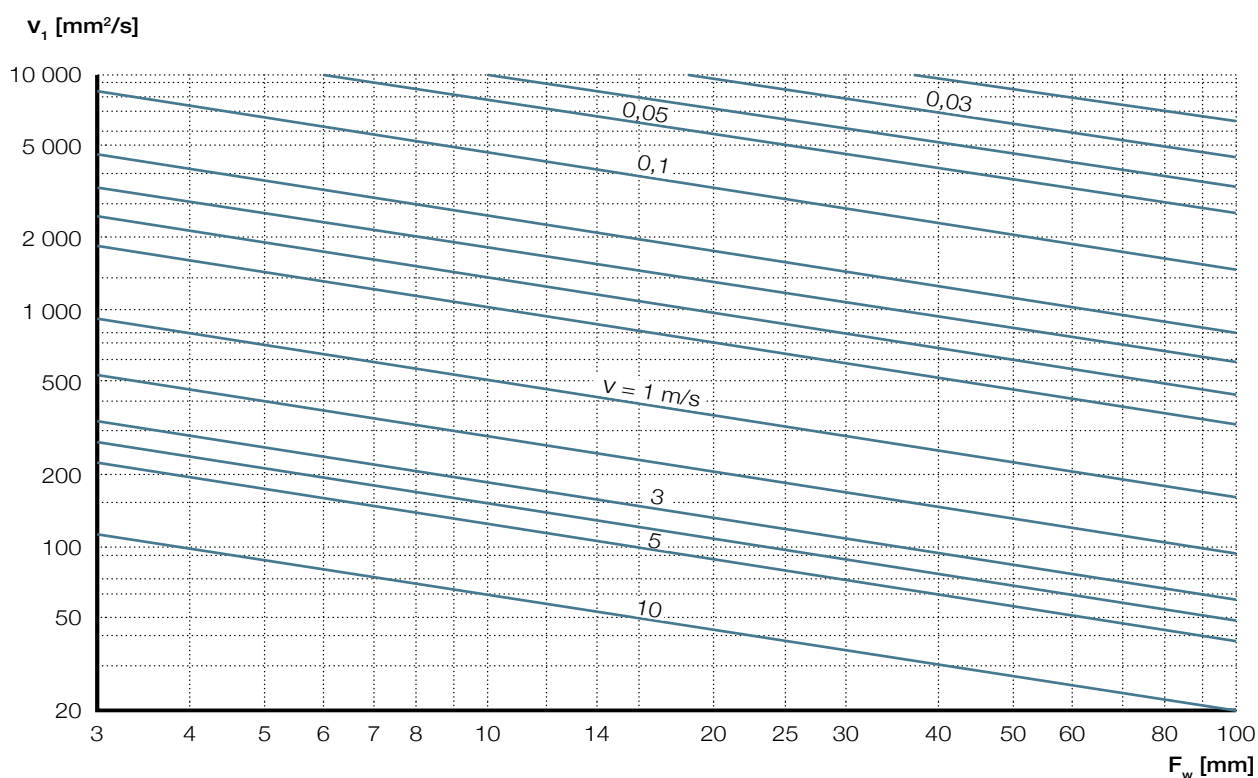
Table 8

Factor c_1 for reliability

| Reliability % | L_{ns} | c_1 |
|------------------|-----------|-------|
| 90 | L_{10s} | 1 |
| 95 | L_{5s} | 0,62 |
| 96 | L_{4s} | 0,53 |
| 97 | L_{3s} | 0,44 |
| 98 | L_{2s} | 0,33 |
| 99 | L_{1s} | 0,21 |

Diagram 6

Requisite kinematic viscosity v_1 at operating temperature



Operating conditions, factor c_2

The lubrication effectiveness is strongly dependent on the degree of separation between the steel balls and raceway surfaces in the contact zones. A specific minimum viscosity is required for the formation of an effective separating lubricating film at operating temperature, considering the kinematic conditions. Assuming a normal level of cleanliness of the guide shaft as well as effective sealing, factor c_2 depends on the viscosity ratio κ exclusively. κ designates the ratio between the actual kinematic viscosity v and the requisite minimum viscosity v_1 (→ **formula 16**), each at operating temperature.

$$(16) \quad \kappa = \frac{v}{v_1}$$

where:

- κ = viscosity ratio
- v = actual kinematic viscosity at operating temperature [mm²/s]
- v_1 = requisite minimum viscosity at operating temperature [mm²/s]

The requisite minimum viscosity v_1 in relation to the mean speed v and the shaft diameter F_w is shown in **diagram 6**. The diagram is valid for additive-free mineral oils and for lubricating greases with mineral base oils. The diagram represents the required viscosity of the base oil at operating temperature.

Diagram 7 transfers a kinematic viscosity at operating temperature to the viscosity at the international standard temperature of 40 °C. A single graph represents a lubricant with a certain kinematic viscosity at 40 °C. So if for example, the requisite kinematic viscosity is 100 mm²/s according to **diagram 6** and the operating temperature is 70 °C, the kinematic viscosity at 40 °C is 460 mm²/s. The red arrows in **diagram 7** represent this example.

After identifying the viscosity ratio κ , c_2 can be taken from **diagram 8**. If κ is less than 1, a lubricant with extreme pressure (EP) additives is recommended. If it is less than 0,4, the use of EP additives is essential. If lubricants with EP additives are used, the higher value for c_2 from the diagram can be used for calculation. Linear ball bearings from Ewellix are factory pre-lubricated with LGEP 2 grease that contains EP additives (→ **chapter 4.3**).

NOTE: If greases other than standard grease LGEP 2 are used, make sure that the grease and especially the EP additives are compatible with the linear bearing materials.



Diagram 7

Lubricant viscosity v vs. temperature

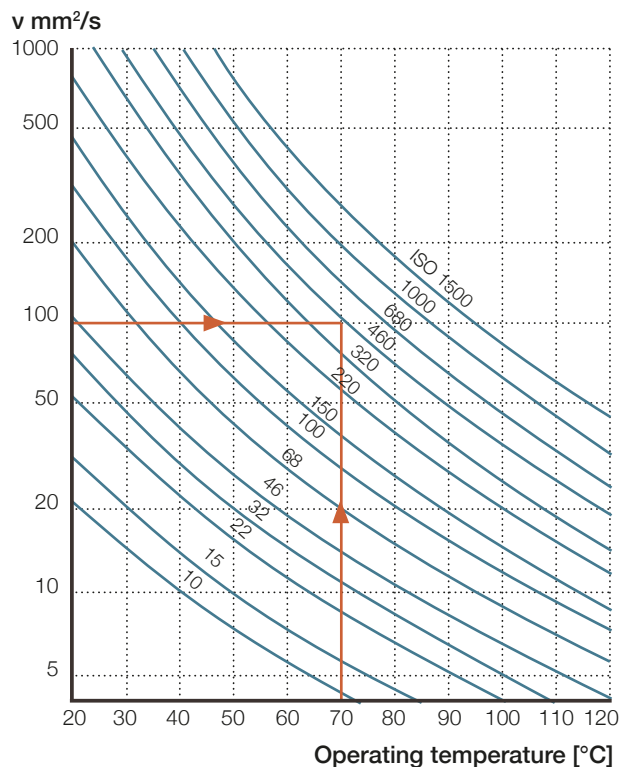
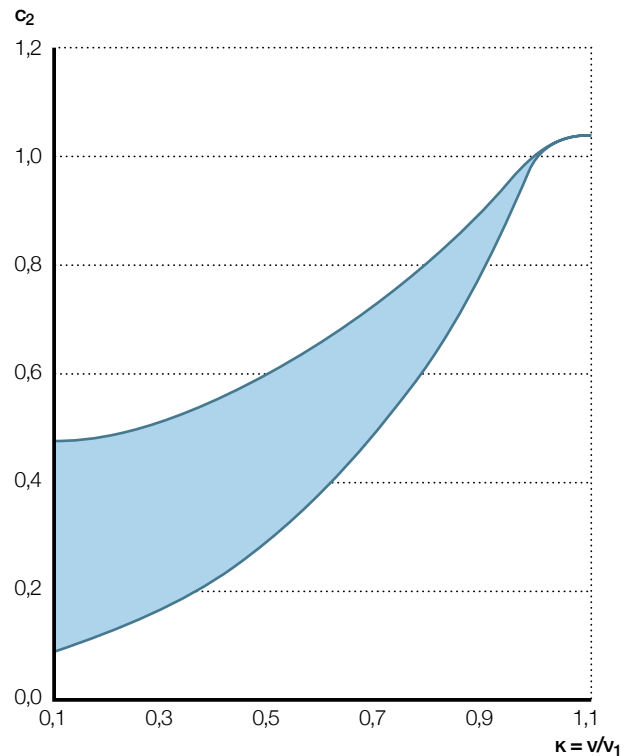


Diagram 8

Factor c_2 for operating conditions



Number of loaded bearings per shaft, factor f_i

Most linear ball bearing configurations feature two (or more) bearings mounted on one shaft. The load distribution on these various bearings is strongly influenced by

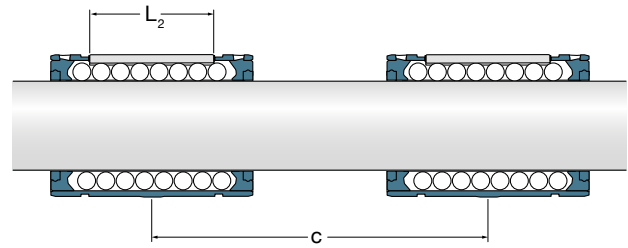
- the mounting accuracy,
- the manufacturing quality of the adjacent components, and in particular,
- the distance between the bearings.

Factor f_i takes these influences on bearing loading into account based on the number of bearings per shaft and the distance between them (→ **table 9**). The raceway lengths L_2 of the various types of linear ball bearings are listed in **table 10**.

NOTE: This factor has no influence when the bearings are mounted in the same accurate drilling as used in the original housings from Ewellix.

Table 9

Factor f_i for number of loaded bearings per shaft



| Number of bearings | If $c \geq 1,5 L_2$ | If $c < 1,5 L_2$ |
|--------------------|---------------------|------------------|
| | f_i | f_i |
| 1 | 1 | 1 |
| 2 | 1 | 0,81 |
| 3 | 1 | 0,72 |

Table 10

Raceway length L_2 of the various linear ball bearings

| Size F_w mm | Compact range | | | Standard range | | | | L_2 mm | Type | L_2 mm | Type | L_2 mm |
|---------------------|---------------|-------------|------|----------------|--------------------|--------------------|------|-------------|--------|-------------|------|-------------|
| | Type | L_2 mm | Type | Type | Type | Type | Type | | | | | |
| 3 | LBBR | 4,1 | - | - | - | - | - | - | - | - | - | - |
| 4 | LBBR | 5,4 | - | - | - | - | - | - | - | - | - | - |
| 5 | LBBR | 7,1 | LBCR | - | - | - | 11,3 | - | - | - | - | 11,3 |
| 6 | LBBR | 12 | - | - | - | - | - | - | - | - | - | - |
| 8 | LBBR | 12,7 | LBCR | - | - | - | 12,5 | - | - | - | - | 12,5 |
| 10 | LBBR | 12,7 | - | - | - | - | - | - | - | - | - | - |
| 12 | LBBR | 15,4 | LBCR | LBCD | LBCT | LBCF | 18,4 | - | - | - | - | 18,4 |
| 14 | LBBR | 15,4 | - | - | - | - | - | - | - | - | - | - |
| 16 | LBBR | 15,4 | LBCR | LBCD | LBCT | LBCF | 21,2 | - | - | - | - | 21,2 |
| 20 | LBBR | 15,4 | LBCR | LBCD | LBCT | LBCF | 27,6 | LBHT | - | - | - | 27,8 |
| 25 | LBBR | 22,4 | LBCR | LBCD | LBCT ^{u)} | LBCF ^{u)} | 37,2 | LBHT | LBCT A | LBCF A | - | 39,6 |
| 30 | LBBR | 32 | LBCR | LBCD | LBCT | LBCF | 45,4 | LBHT | - | - | - | 47,7 |
| 40 | LBBR | 38,6 | LBCR | LBCD | LBCT ^{u)} | LBCF ^{u)} | 50,8 | LBHT | LBCT A | LBCF A | - | 54 |
| 50 | LBBR | 47,8 | LBCR | LBCD | LBCT | LBCF | 68,5 | LBHT | - | - | - | 68,5 |
| 60 | - | - | LBCR | - | LBCT | - | 92 | - | - | - | - | 92 |
| 80 | - | - | LBCR | - | LBCT | - | 122 | - | - | - | - | 122 |

^{u)} Size 25 available from Q1/2021; Size 40 under development; A-design linear ball bearings of both sizes are available until replacement

Impact of stroke length, factor f_s

Strokes shorter than the raceway length of the linear ball bearing have a negative influence on the achievable life of a guiding system. Based on the ratio of the single stroke length S or, if there are several load phases with the identical moving direction, the sub stroke length S_s relative to raceway length L_2 (→ **table 10**), factor f_s is determined according to **table 11**.

Sequenced load phases with the identical moving direction deliver a sub stroke length (S_s) according to **formula 17** to determine f_s .

$$(17) \quad S_s = \sum_{j=A}^B S_j$$

where:

- S_s = sub stroke length [mm]
- S_j = individual stroke length of a load phase [mm]
- j = counter for load phases (A, A+1, A+2, . . . , B)
- A = starting point of movement in one direction
- B = next reversal point

Table 11

Factor f_s depending on ratio S/L_2 or S_s/L_2

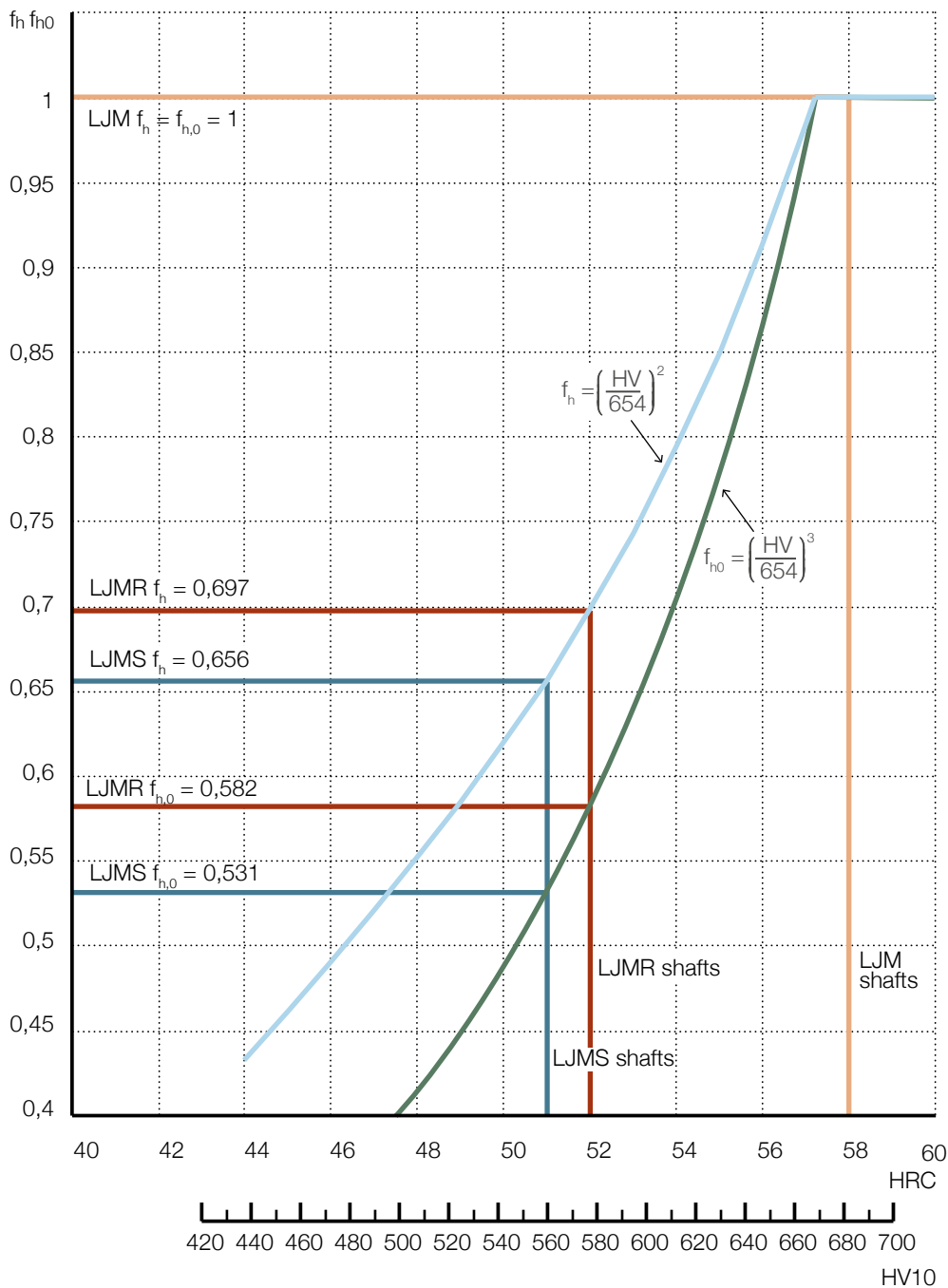
| S/L_2 | f_s |
|---------|-------|
| 1,0 | 1,00 |
| 0,9 | 0,91 |
| 0,8 | 0,82 |
| 0,7 | 0,73 |
| 0,6 | 0,63 |
| 0,5 | 0,54 |
| 0,4 | 0,44 |
| 0,3 | 0,34 |
| 0,2 | 0,23 |
| 0,1 | 0,13 |

Influence of shaft hardness, factors $f_h, f_{h,0}$

The full load rating of the linear ball bearing will be reached in conjunction with shaft of hardness $\geq 58\text{HRC}$. For shafts with lower hardness, e.g. shafts from stainless steel, the factor $f_{h,0}$ reduces the static load rating C_0 and the factor f_h reduces the dynamic load rating C . For shafts with hardness $< 44 \text{ HRC}$ (430 HV), please consult Ewellix.

Diagram 9

Factor for hardness of shaft



Influence of misalignment, factor f_m

As described in **chapter 2.1.3**, loads on unsupported shafts cause deflection and therefore the shaft and the linear ball bearings are misaligned under load. **Table 12** shows the consequences to static safety and lifetime calculations depending on bearing type and degree of misalignment.

Diagram 10 illustrates the function

$$f_m = f(\alpha) = f(\text{angle of misalignment}).$$

As loads differ between load phases, the factor f_m is phase-sensitive and therefore applied in the denominator of the load in the equation of static safety and rating life calculation.

Table 12

Impact of misalignment between shaft and various types of linear ball bearings

| Bearing type | Angle of misalignment ¹⁾ | f_m | Consequence |
|---------------------------------|-------------------------------------|---|---------------------------------------|
| Rigid LBBR, LBCR, LBCT, LBHT | $\alpha \leq \pm 5'$ | = 1 | full static safety and rating life |
| | $\pm 5' < \alpha \leq 15'$ | = $1,04 + \alpha \cdot (0,006 - 0,0028 \cdot \alpha)$ ¹⁾ | reduced static safety and rating life |
| | $\pm 15' < \alpha$ | = 0 | out of valid range |
| Self-aligning LBCD, LBCF | $\alpha \leq \pm 30'$ | = 1 | full static safety and rating life |
| | $\pm 30' < \alpha$ | = 0 | out of valid range |

¹⁾ α in minutes of arc; $30' = 30$ minutes of arc = $0,5^\circ$

Diagram 10

Factor for misalignment

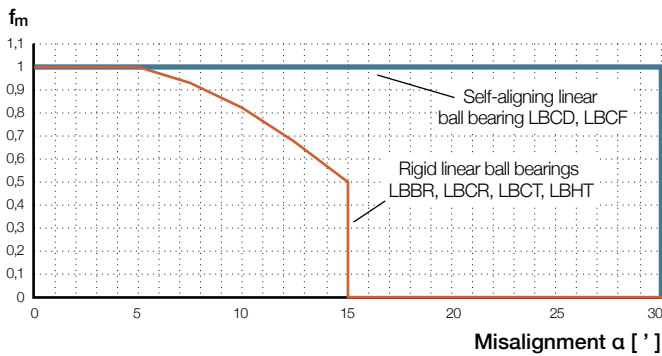


Table 13

Influence of direction of load, factors $f_1, f_{1,0}$

The static and the dynamic load rating vary around the center axis of the linear ball bearing.

Bearings of our compact range (LBB) have a relative small deviation between $C_{0,min}$ and $C_{0,max}$, respectively C_{min} and C_{max} . The minimums and the maximums are distributed equidistantly based on the location of raceway plates. Typically, the direction of maximal load rating $C_{0,max}$ & C_{max} is between the raceway plates. Divergent from that rule are the directions of max. dynamic load rating of sizes 25, 30 and 40 at the raceway plates (↳ table 13).

Bearings of the standard range (LBC) have a concentration of raceway plates and therefore a direction of maximum load rating, which is indicated by arrow (Design D) or hatch surface (Design A) at the face side of linear ball bearing. The deviation between $C_{0,min}$ and $C_{0,max}$, respectively C_{min} and C_{max} is significant. For details, see diagram 11 to 15, that also show the dependency from load angle.

Direction of max. load rating for LBB bearings

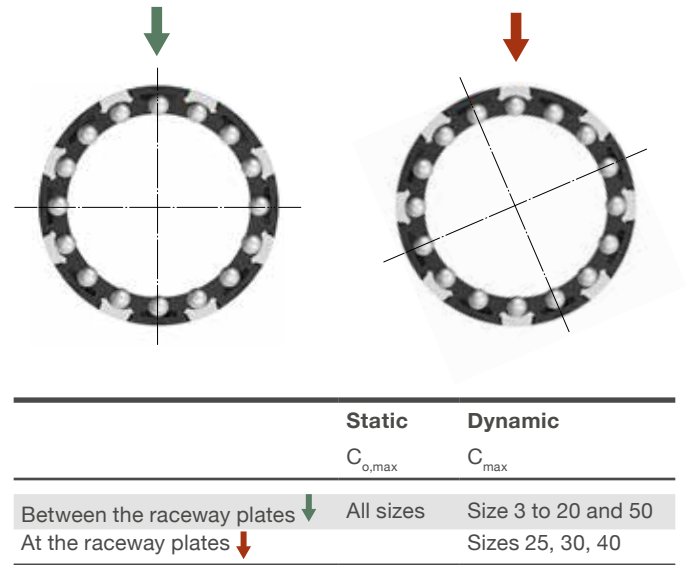


Diagram 11

Factors f_1 and $f_{1,0}$ related to the direction of load for LBCR and LBCD linear ball bearings of the D-series

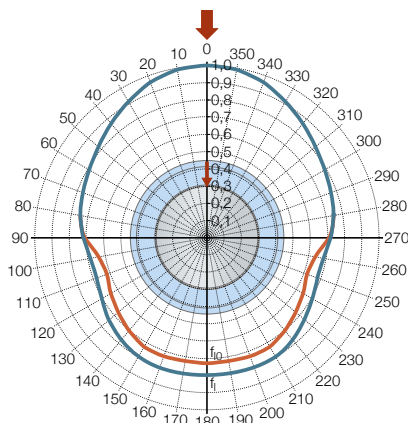
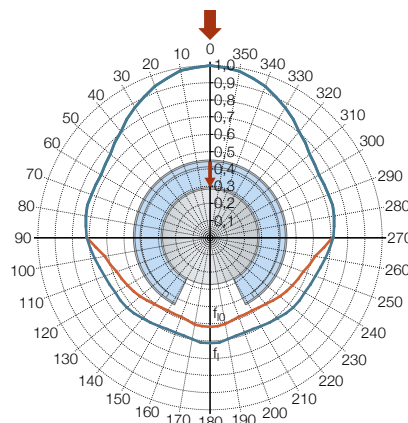


Diagram 12

Factor f_1 and $f_{1,0}$ related to the direction of load for LBCT and LBCF linear ball bearings of the D-series



NOTE:

Definition of minimum load ratings for standard range bearings:

$$C_{min} = C_{max} \cdot f_1 \text{ for } f_1 \text{ at } 180^\circ$$

$$C_{0,min} = C_{0,max} \cdot f_{1,0} \text{ for } f_{1,0} \text{ at } 180^\circ$$

Diagram 13

Factors f_1 and $f_{1,0}$ influence of the direction of load for LBCR and LBCD A-series linear ball bearings

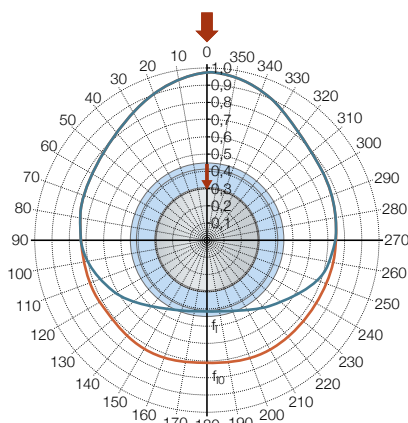


Diagram 14

Factor f_1 and $f_{1,0}$ influence of the direction of load for LBCT and LBCF A-series linear ball bearings

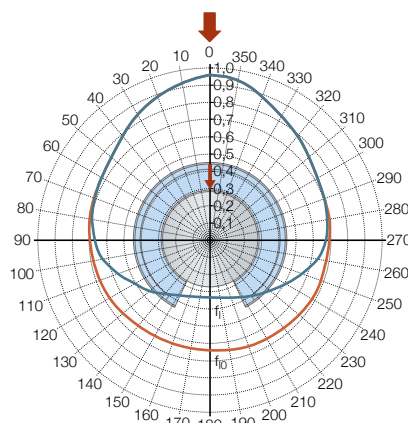
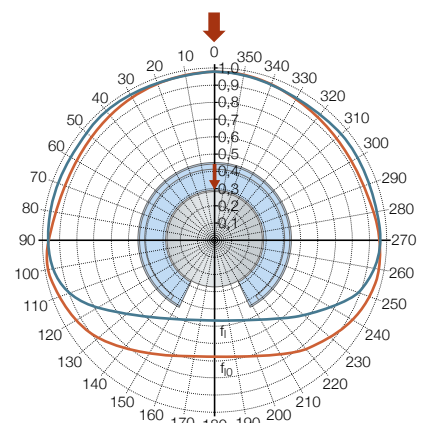


Diagram 15

Factor f_1 and $f_{1,0}$ influence of the direction of load for LBHT linear ball bearings



The varying load ratings of linear ball bearings around their center axis have to be considered in the design and selection process of linear guidings. For easier decision making, see **table 14**.

Table 14

Options for orientation of a linear ball bearing during the mounting process

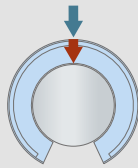
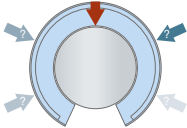
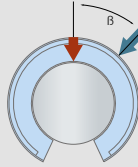
| | Defined orientation | Randomly orientation |
|------------|---|---|
| Benefit | Offers the potential to align direction of main load and max. load rating. Therefore, the full load rating of the linear ball bearing can be utilized | Less effort during series mounting |
| Compromise | Slightly higher effort during series mounting | Only the values $C_{0,min}$ & C_{min} could be applied during dimensioning calculation and more importantly, in a real application, you can rely on only the minimum load rating. |



The impact of the following circumstances on the calculations is described in **table 15**

- the characteristic of linear ball bearings (L→ **diagram 10** to **14**) or
- the direction of acting load F_j for that particular load phase or in total (factors f_i) and
- the mounting status

Table 15

Load direction to be considered for the calculation of static safety and rating life

| The load direction at that load phase and the direction of max. load rating are | Values to be applied for calculation of static safety | | rating life | |
|--|--|-------------|--|-----------|
| coincident  | $F_{comb,max} / f_{m,j}$ | $C_{0,max}$ | $F_{comb,j} / f_{m,j}$ | C_{max} |
| unknown  | $F_{comb,max} / f_{m,j}$ | $C_{0,min}$ | $F_{comb,j} / f_{m,j}$ | C_{min} |
| known, but differs  | For compact series LBB | | | |
| | $F_{comb,max} / f_{m,j}$ | $C_{0,min}$ | $F_{comb,j} / f_{m,j}$ | C_{min} |
| | For standard series LBC | | | |
| | $\max_{j=1 \rightarrow V} \left \frac{F_{comb,j}}{f_{i,0,j} \cdot f_{m,j}} \right $ | $C_{0,max}$ | $F_{comb,j} / (f_{i,j} \cdot f_{m,j})$ | C_{max} |

 Direction of load
 Direction of max. load rating

As loads and their direction differ between load phases, the factor $f_{i,0}$ and f_i is phase-sensitive and therefore applied in the denominator of the load in the equation of static safety and rating life calculation.

2.2.4 Elaborated equations for the static safety factor and for the rating life

Elaborated equation for the static safety factor

All given equations related to the static safety factor can be integrated into one formula:

$$(18) \quad s_0 = \frac{C_0}{P_{\max}} = \frac{f_{h,0} \cdot C_0}{\max_{j=1 \rightarrow V} \left| \frac{F_{\text{comb},j}}{f_{l,0,j} \cdot f_{m,j}} \right|} = \frac{f_{h,0} \cdot C_0}{\max_{j=1 \rightarrow V} \left| \frac{\sqrt{F_{y,j}^2 + F_{z,j}^2}}{f_{l,0,j} \cdot f_{m,j}} \right|} \quad \text{or} \quad s_0 = \frac{C_0}{P_0}$$

Elaborated equation for the modified basic rating life

All given equations related to the rating life calculation can be integrated into one formula:

$$(19) \quad L_{\text{ns}} = 100 \cdot \left(\frac{C}{P} \right)^p = 100 \cdot c_1 \cdot c_2 \cdot \left(\frac{f_i \cdot f_h \cdot C}{F} \right)^p = 100 \cdot c_1 \cdot c_2 \cdot \frac{(f_i \cdot f_h \cdot C)^p}{\left(\frac{F}{f_l \cdot f_m} \right)^p \cdot \frac{1}{f_s}}$$

$$(20) \quad L_{\text{ns}} = 100 \cdot c_1 \cdot c_2 \cdot \frac{(f_i \cdot f_h \cdot C)^p}{\sum_{j=1}^V \left| \left(\frac{F_{\text{comb},j}}{f_{l,j} \cdot f_{m,j}} \right)^p \cdot S_j \right|} \cdot \frac{1}{S_{\text{tot}} \cdot \frac{1}{f_{s,j}}} = 100 \cdot c_1 \cdot c_2 \cdot \frac{S_{\text{tot}} \cdot (f_i \cdot f_h \cdot C)^p}{\sum_{j=1}^V \left| \left(\frac{F_{\text{comb},j}}{f_{l,j} \cdot f_{m,j}} \right)^p \cdot \frac{S_j}{f_{s,j}} \right|}$$

$$(21) \quad L_{\text{ns}} = 100 \cdot c_1 \cdot c_2 \cdot \frac{S_{\text{tot}} \cdot (f_i \cdot f_h \cdot C)^p}{\sum_{j=1}^V \left| \left(\frac{\sqrt{F_{y,j}^2 + F_{z,j}^2}}{f_{l,0,j} \cdot f_{m,j}} \right)^p \cdot \frac{S_j}{f_{s,j}} \right|}$$

2.2.5 Calculation example

Description of the application

A Quadro linear bearing unit LQCD 20-2LS consisting of 4 linear ball bearings LBCD 20-2LS with closed housing can support a load of 400 N which is constant in magnitude and direction and which acts vertically and centrally whilst operating at a stroke frequency of 30 min⁻¹ and a stroke length of 600 mm. LJMR shafts from stainless steel X90CrMoV18 are used. The solid shaft is secured in two tandem shaft blocks.

The shaft length between the two tandem shaft blocks is 1 000 mm. The linear ball bearings are lubricated with SKF grease LGEP 2 which has a base oil viscosity of 200 mm²/s at 40 °C. The maximum operating temperature is assumed to be 40 °C.

What are the values of the adjusted rating life, static load safety and stiffness of the system?

Loads at the bearing point

As the external load is applied centrally and therefore equally distributed between the 4 bearings, the full set of formulae given in **chapter 2.2.2** paragraph *Translation of external forces to loads at the bearing point* could be simplified:

$$(22) \quad F_{z1} = F_{z2} = F_{z3} = F_{z4} = \frac{F_{z, \text{external}}}{4} = \frac{400 \text{ N}}{4} = 100 \text{ N}$$

$$(23) \quad F_{y1} = F_{y2} = F_{y3} = F_{y4} = \frac{F_{y, \text{external}}}{4} = \frac{0 \text{ N}}{4} = 0 \text{ N}$$

Combined bearing loads

Thus the value of the combined bearing loads is identical for all 4 bearings:

$$(24) \quad F_{\text{comb1}} = F_{\text{comb2}} = F_{\text{comb3}} = F_{\text{comb4}} = \sqrt{F_y^2 + F_z^2} = \sqrt{(100 \text{ N})^2 + (0 \text{ N})^2} = 100 \text{ N}$$

Calculation of angle of misalignment, caused by bending of the shaft under load

The factor of misalignment impacts adjusted rating life as well as the static safety factor. For preparation of both dimensioning methods, the angle of misalignment between bended shaft and linear ball bearings must be calculated. The total misalignment is the sum of misalignment under the weight of the shaft and with two symmetrical loads at distance l-2a. See **diagram 4**.

Values of input:

| | | |
|----------------|------------------------|--|
| F | = 100 N | = bearing load, [N] |
| d | = 20 mm | = shaft diameter |
| d _i | = 0 mm | = inner diameter of hollow shaft; solid shaft |
| l | = 1 000 mm | = shaft length between clamped ends |
| L-C | = 130 – 45 mm = 85 mm | = distance between center of linear ball bearings in LQCD 20 |
| a | = [l-(L-C)]/2 | = distance between clamping and point of application of load |
| | = (1 000 mm – 85 mm)/2 | = distance between clamping of shaft and middle of first linear ball bearing |
| | = 457,5 mm | |

Angle of misalignment by clamped shaft

$$(25) \quad \alpha_{\text{ges}} = \alpha_{\text{EG}} + \alpha_{\text{EL}} = \frac{1,71 \cdot 10^{-6} \cdot a \cdot (l^2 + 2 \cdot a^2 - 3 \cdot a \cdot l)}{d^2} + \frac{0,71 \cdot F \cdot a^2 \cdot \left(1 - 2 \cdot \frac{a}{l}\right)}{d^4}$$

$$(26) \quad \alpha_{\text{ges}} = \frac{1,71 \cdot 10^{-6} \cdot 457,5 \cdot (1\,000^2 + 2 \cdot 457,5^2 - 3 \cdot 457,5 \cdot 1\,000)}{20^2} + \frac{0,71 \cdot 100 \cdot 457,5^2 \cdot \left(1 - 2 \cdot \frac{457,5}{1\,000}\right)}{20^4}$$

$$(27) \quad \alpha_{\text{ges}} = 0,09' + 1,89' = 1,98' \text{ (minute of arc)}$$

NOTE: The misalignment under its own weight and the applied load is below the limit value of 5'. Below this limit, the factor for misalignment $f_m=1$ and therefore the equivalent bearing load isn't increased for non-self-aligning linear ball bearings.

Factors of influence

In order to calculate the rating life and static safety, the complete set of factors must be defined:

Factor c_1 for reliability

Since no specific reliability was called for,

$$c_1 = 1$$

for a rating life achieved or exceeded by 90 % of the bearings (↳ **table 8**)

Factor c_2 for operating conditions

From the stroke length and number of strokes per minute, the mean velocity is

(28)

$$v = 2 \cdot s \cdot \frac{n}{60 \frac{s}{min}} = 2 \cdot 600 \text{ mm} \cdot \frac{30 \frac{1}{min}}{60 \frac{s}{min}} = 600 \frac{mm}{s} = 0,6 \frac{m}{s}$$

Using the **diagram 6** for the determination of the requisite minimum viscosity for a linear ball bearing of size 20 operating at a mean velocity of 0,6 m/s, a lubricant having $v_1 = 600 \text{ mm}^2/\text{s}$ should be used.

An operating temperature not exceeding 40 °C is assumed. The grease used has a base oil viscosity of 200 mm^2/s at the operating temperature. Thus:

$$(29) \quad \kappa = \frac{v}{v_1} = \frac{200 \frac{mm^2}{s}}{600 \frac{mm^2}{s}} = 0,33$$

In this case, **diagram 8** shows a factor c_2 of between 0,18 and 0,6. The lower value applies to mineral oils without additives and the upper value to mineral oils with approved EP additives. As SKF greases are subjected to constant quality control, their properties in terms of extended bearing life can be relied upon. Thus:

$$(30) \quad c_2 = 0,6$$

Factor f_i for the number of loaded bearings per unit

This factor has already been taken into consideration in the dynamic load ratings quoted for Ewellix linear bearing units, therefore $f_i = 1$

Factor for stroke length

The ratio of stroke length to length of raceway plates is

$$(31) \quad \frac{l}{L_2} = \frac{s}{L_2} = \frac{600 \text{ mm}}{27,6 \text{ mm}} = 21,7$$

and thus, according to **table 11**: $f_s = 1$

Factors f_h and $f_{h,0}$ for surface hardness of shaft

According to **diagraph 7**, $f_h = 0,69$ and $f_{h,0} = 0,582$ for LJMR shafts

Factors f_l and $f_{l,0}$ for direction of load

Since the line of load acts through the zone of maximum load carrying capacity of the linear ball bearing, f_l and $f_{l,0} = 1$,

Factor f_m for misalignment

Since previous calculation of misalignment shows that the upper limit of angle of misalignment

$$\alpha_{ges} < 5' = 5 \text{ minutes of arc.}$$

Consequently according to **table 16**:

$$f_m = 1$$

Calculation of rating life

Values of input:

| | | |
|---|-------------------------|---|
| F_{external} | = 400 N | = external load |
| C | = 7 200 N | = dynamic load rating of Quadro unit LQCD 20-2LS |
| C_0 | = 6 700 N | = basic static load rating of Quadro unit LQCD 20-2LS |
| $c_1, c_2, f_s, f_i, f_h, f_{h,0}, f_l, f_{l,0}, f_m$ | From previous paragraph | |

With prepared data the rating life becomes:

$$(32) \quad L_{\text{ns}} = 100 \cdot c_1 \cdot c_2 \cdot \frac{(f_i \cdot f_h \cdot C)^3}{\left(\frac{F}{f_i \cdot f_m}\right)^3 \cdot \frac{1}{f_s}}$$

$$(33) \quad L_{10} = 100 \cdot 1 \cdot 0,6 \cdot \frac{(1 \cdot 0,69 \cdot 6\,700 \text{ N})^3}{\left(\frac{400 \text{ N}}{1 \cdot 1}\right)^3 \cdot \frac{1}{1}} = 60 \cdot \left(\frac{0,69 \cdot 6\,700 \text{ N}}{400 \text{ N}}\right)^3 = 92\,630 \text{ km}$$

Calculation of static safety

With prepared data the static safety factor becomes:

$$(34) \quad s_0 = \frac{C_0}{P_0} = \frac{C_0}{P_{\text{max}}} = \frac{f_{h,0} \cdot C_0}{\max_{j=1 \rightarrow V} \left| \frac{f_{\text{comb},j}}{f_{l,0,j} \cdot f_{m,j}} \right|} = \frac{0,582 \cdot 7\,200 \text{ N}}{\max_{j=1 \rightarrow V} \left| \frac{400 \text{ N}}{1 \cdot 1} \right|} = \frac{0,582 \cdot 7\,200 \text{ N}}{400 \text{ N}} = 10,5$$

Because of the high static load safety, it can be assumed that the operation of the bearing unit will not be impaired through load-related mechanical deformation.

Elastic deformation of clearance free linear ball bearing in the contact zone

For a linear ball bearing LBCD 20, loaded with $F_{\text{comb}} = 100 \text{ N}$ **diagram 1** provides an elastic bearing deflection

$\delta = 2 \mu\text{m}$ with $F_{\text{comb}} / C_0 = 100 / 5\,500 = 0,018$

For deflection under load, the impact of the operating clearance has to be added.

Deflection of shaft and stiffness of the system

The bending at the points of application of load due to the shaft's own weight and an externally applied load $F_z = 100 \text{ N}$ per bearing for a clamped shaft is calculated by:

$$(35) \quad f_{\text{ges}} = f_{\text{EG}} + f_{\text{EL}} = \frac{2,49 \cdot 10^{-7} \cdot [a \cdot (l - a)]^2}{d^2} + \frac{0,0165 \cdot F \cdot a^3 \cdot \left(2 - 3 \cdot \frac{a}{l}\right)}{d^4}$$

$$(36) \quad f_{\text{E,ges}} = \frac{2,49 \cdot 10^{-7} \cdot [457,5 \cdot (1\,000 - 457,5)]^2}{20^2} + \frac{0,0165 \cdot 100 \cdot 457,5^3 \cdot \left(2 - 3 \cdot \frac{457,5}{1\,000}\right)}{20^4}$$

$$(37) \quad f_{\text{E,ges}} = 38 \mu\text{m} + 620 \mu\text{m} = 658 \mu\text{m}$$

Thus, for a system "shaft clamped at both ends" the total stiffness becomes:

$$(38) \quad K_{\text{E,ges}} = \frac{F}{f_{\text{E,ges}} + \delta} = \frac{400 \text{ N}}{658 \mu\text{m} + 2 \mu\text{m}} = 0,606 \frac{\text{N}}{\mu\text{m}}$$

Verification of degree of clamping

It's recommended that the degree of clamping is verified by measuring the bending of the shafts in their middle ¹⁾.

The bending in the middle due to the shaft's own weight and an externally applied load

$F_z = 100$ N per bearing for a clamped shaft is calculated by:

$$(39) \quad f_{E,max,ges} = f_{max,EG} + f_{max,EL} = \frac{1,56 \cdot 10^{-8} \cdot l^4}{d^2} + \frac{0,00412 \cdot F \cdot a^2 \cdot (3 \cdot l - 4 \cdot a)}{d^4}$$

$$(40) \quad f_{E,max,ges} = \frac{1,56 \cdot 10^{-8} \cdot 1\,000^4}{20^2} + \frac{0,00412 \cdot 100 \cdot 457,5^2 \cdot (3 \cdot 1\,000 - 4 \cdot 457,5)}{20^4}$$

$$(41) \quad f_{E,max,ges} = 39 \mu\text{m} + 630 \mu\text{m} = 699 \mu\text{m}$$

¹⁾ In case of housings that completely surround the middle of the shaft like Tandem- or Quadro-units, please get access to the shaft by drilling a bore.

Alternate calculation with formulae for freely supported shaft

In addition to previous example with shaft secured in shaft blocks, the next three paragraphs on this page show the calculation if both ends of the shaft are only freely supported. Using this formula calculates the upper notional limit of the shaft bending.

Calculation of angle of misalignment caused by bending of the shaft under load

The upper limit of angle of misalignment by freely supported shaft:

$$(42) \quad \alpha_{ges} = \alpha_{FG} + \alpha_{FL} = \frac{8,57 \cdot 10^{-7} \cdot (l^3 + 4 \cdot a^3 - 6 \cdot a^2 \cdot l)}{d^2} + \frac{0,17 \cdot F \cdot a \cdot (l - 2 \cdot a)}{d^4}$$

$$(43) \quad \alpha_{ges} = \frac{8,57 \cdot 10^{-7} \cdot (1\,000^3 + 4 \cdot 457,5^3 - 6 \cdot 457,5^2 \cdot 1\,000)}{20^2} + \frac{0,17 \cdot 100 \cdot 457,5 \cdot (1\,000 - 2 \cdot 457,5)}{20^4}$$

$$(44) \quad \alpha_{ges} = 0,25' + 4,13' = 4,38 \text{ (minutes of arc)}$$

NOTE: α_{ges} for freely supported shaft is more than twice the value determined for clamped shaft.

Even for a freely supported shaft, the misalignment under its own weight and the applied load is below the limit value of 5'. Below this limit, the factor for misalignment is $f_m=1$.

Deflection of shaft and stiffness of the system if shaft is freely supported

The upper limit of bending in the points of application of load due to the shaft's own weight and an externally applied load $F = 100 \text{ N}$ per bearing for a freely supported shaft:

$$(45) \quad f_{F,ges} = f_{FG} + f_{FL} = \frac{2,49 \cdot 10^{-7} \cdot a \cdot (l - a) \cdot (l^2 - a^2 + a \cdot l)}{d^2} + \frac{0,0165 \cdot F \cdot a^2 \cdot (3 \cdot l - 4 \cdot a)}{d^4}$$

$$(46) \quad f_{F,ges} = \frac{2,49 \cdot 10^{-7} \cdot 457,5 \cdot (1\,000 - 457,5) \cdot (1\,000^2 - 457,5^2 + 457,5 \cdot 1\,000)}{20^2} + \frac{0,0165 \cdot 100 \cdot 457,5^2 \cdot (3 \cdot 1\,000 - 4 \cdot 457,5)}{20^4}$$

$$(47) \quad f_{F,ges} = 192,9 \mu\text{m} + 2\,525,4 \mu\text{m} = 2\,718,3 \mu\text{m}$$

Thus, for a system "freely supported shaft", the total stiffness becomes:

$$(48) \quad k_{F,ges} = \frac{F}{f_{F,ges} + \delta} = \frac{400 \text{ N}}{2\,718 \text{ } \mu\text{m} + 2 \text{ } \mu\text{m}} = 0,147 \frac{\text{N}}{\mu\text{m}} = \text{lower limit of stiffness}$$

Verification of degree of clamping if shaft is freely supported

If the degree of clamping should be verified, the calculated upper limit of bending the shafts in their middle can be compared with the measured bending of the shafts in their middle.¹⁾

$$(49) \quad f_{F,max,ges} = f_{max,FG} + f_{max,FL} = \frac{7,78 \cdot 10^{-8} \cdot l^4}{d^2} + \frac{0,00412 \cdot F \cdot a \cdot (3 \cdot l^2 - 4 \cdot a^2)}{d^4}$$

$$(50) \quad f_{F,max,ges} = \frac{7,78 \cdot 10^{-8} \cdot 1\,000^4}{20^2} + \frac{0,00412 \cdot 100 \cdot 457,5 \cdot (3 \cdot 1\,000^2 - 4 \cdot 457,5^2)}{20^4}$$

$$(51) \quad f_{F,max,ges} = 195 \mu\text{m} + 2\,548 \mu\text{m} = 2\,743 \mu\text{m}$$

¹⁾ In case of housings that completely surround the middle of the shaft like Tandem- or Quadro-units, please get access to the shaft by drilling a bore.

2.3 Technical data of plain bearings

Plain bearings can be used in certain applications where the use of rolling element bearings is inappropriate because of extreme operating conditions. This is especially relevant in cases of heavy shock loads or vibrations. For such applications, plain bearings are preferable to linear ball bearings although a higher friction is to be expected.

Ewellix linear plain bearings have the same dimensions as the corresponding linear ball bearings LBB and LBC. As in the case of linear ball bearings, bearing units are also available in addition to the individual bearings.

2.3.1 Range of applications

Linear plain bearings are made of copolymer polyoxymethylene (POM) with a special polyethylene to provide smooth and stick-slip-free operation. This combination is particularly suitable for plain bearing applications and is characterised by its excellent resistance to wear. The maximum acceptable surface pressure is 14 N/mm². Recommended operating temperatures for continuous operation are between -40 and +80 °C and for short periods they may reach 120 °C. It should however be noted that the mechanical stability of the synthetic material is temperature dependent and falls from a rating of 100 % at room temperature to around 30 % at 100 °C.

2.3.2 Basic technical principles

The suitability of linear plain bearings for a given application depends largely on friction, heat dissipation, sliding properties of the mating surfaces and the efficiency of lubrication. In contrast to linear ball bearings, general statements regarding the service life and performance in specific applications cannot be accurately made. This is due to basic tribological factors such as the surface micro-structure, the effects of roughness and potential non-homogenous properties of materials. Different to wear, no guideline values can be stipulated for mentioned criteria.

2.3.3 Service life

In practice, the service life of a linear plain bearing depends:

- on the surface pressure
- upon the positive or negative effect, in the mixed or dry frictional area, of the increase in matching of the surfaces
- on the bearing clearance, and/or
- on the increase in bearing friction determined
 - by the progressive wear of the sliding surfaces,
 - by plastic deformation, and
 - by fatigue of the materials at the sliding surface.

Further factors of influence are dirt, corrosion, high frequency loads or cycles and shock loads. Depending on the individual application and choice of sliding surfaces, a different degree of wear or increase in friction may be acceptable.

2.3.4 “pv” load/speed relation

An appropriate method to check suitability of a certain bearing size is using the pv-diagram. Value p is the specific bearing load and v stands for the mean sliding speed. It can be assumed that the life of a plain bearing will be adequate if the combination of calculated p and v provides results below the red line in **diagram 16**.

$$(52) \quad p = \frac{P}{2 \cdot F_w \cdot C_4}$$

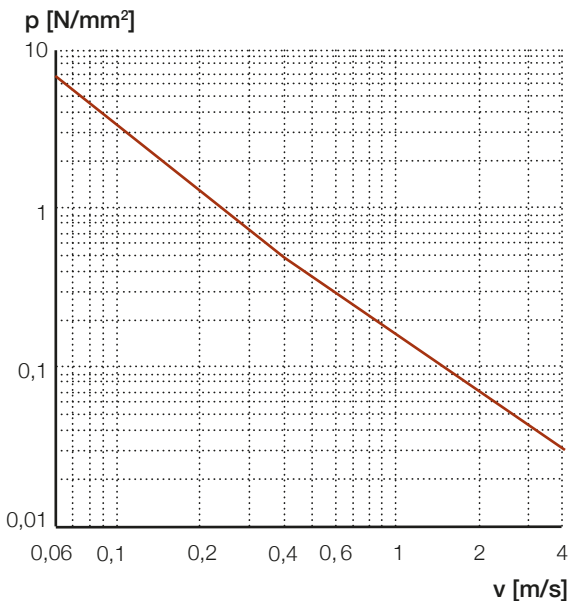
$$(53) \quad v = \frac{S_{sin} \cdot n}{30\,000}$$

where:

- C_4 = width of sliding surface (two per bearing), [mm]
- F_w = nominal bore of linear plain bearing, [mm]
- $2 \cdot F_w \cdot C_4$ = load index (L→ **table 16** and **17**)
- P = equivalent dynamic bearing load, [N]
- n = stroke frequency, (number of movements from one end position to the other and back again), [min^{-1}]
- p = specific bearing load, [N/mm^2]
- S_{sin} = single stroke length, [mm]
- v = mean sliding speed, [m/s]

Diagram 16

pv-diagram for linear plain bearings



2.3.5 Load ratings

The basic static load rating C_0 is used when the linear plain bearing is loaded when stationary or occasionally slightly moved for adjustment. It should also be used where a dynamically loaded linear plain bearing is subjected to heavy shock loads. The basic static load rating C_0 gives an indication of the load which can be accepted by a linear plain bearing without exceeding a prescribed degree of distortion of the sliding surface. It is assumed that components adjacent to the bearing are sufficiently rigid.

IMPORTANT: The screw connections must be examined for adequate safety. For overhead installations of linear guides, higher safety factors should be applied, see **chapter 2.2.1**.

NOTE: Load rating figures are always dependent on the basic definition and therefore the dynamic load ratings stated by different manufacturers are not necessarily comparable.

2.3.6 Friction

The frictional qualities of linear plain bearings depend primarily on the loading of the bearing, the sliding speed and the lubrication conditions. In addition, the surface qualities of the mating surface and the operating temperature are of importance. For linear plain bearings, the coefficient of friction for dry running conditions is between 0,17 and 0,21. The lowest figures for friction are generally obtained with high specific bearing loads and low sliding speeds. Under particularly unfavourable conditions and where the load is low, the indicated maximum values can be exceeded. The sliding material possesses the property of having a ‘stiction’ or static friction only slightly higher than the sliding friction coefficient and therefore stick-slip is avoided. Linear plain bearings equipped with additional external shaft seals show higher friction ratings.



2.3.7 Tolerances

In order to assure full interchangeability with linear ball bearings, the external dimensions and tolerances of linear plain bearings are identical to those of their ball bearing equivalents. They differ only in the degree of radial clearance which, in accordance with the recommendations for plain bearings, is significantly larger than for linear ball bearings.

The corresponding values can be obtained from **tables 16** and **17**.

During the running-in period of the linear plain bearing, a greater degree of wear will be observed which will lead to additional increase in radial clearance.

Table 16

Radial clearance of LPBR bearings with shaft tolerance h7 / housing tolerance H7, and load index

| F_w mm | Radial clearance | | Load index $2 \cdot F_w \cdot C_4$ mm ² |
|-------------|------------------|------|--|
| | max µm | min | |
| 12 | +175 | +100 | 240 |
| 14 | +195 | +120 | 336 |
| 16 | +205 | +130 | 384 |
| 20 | +210 | +135 | 520 |
| 25 | +210 | +135 | 850 |
| 30 | +260 | +185 | 1 200 |
| 40 | +330 | +225 | 1 920 |
| 50 | +380 | +275 | 2 700 |

Table 17

Radial clearance of LPAR and LPAT bearings with shaft tolerance h7 / housing tolerance H7, and load index

| F_w mm | Radial clearance | | | | Load index $2 \cdot F_w \cdot C_4$ mm ² |
|-------------|-------------------|------|-------------|------|--|
| | LPAR max µm | min | LPAT max | min | |
| 5 | +110 | +55 | – | – | 80 |
| 8 | +110 | +55 | – | – | 144 |
| 12 | +160 | +110 | +205 | +130 | 264 |
| 16 | +160 | +110 | +205 | +130 | 416 |
| 20 | +165 | +110 | +210 | +135 | 680 |
| 25 | +165 | +110 | +210 | +135 | 1 100 |
| 30 | +165 | +110 | +210 | +135 | 1 500 |
| 40 | +165 | +110 | +215 | +140 | 2 160 |
| 50 | +165 | +110 | +215 | +140 | 3 200 |
| 60 | +220 | +160 | +275 | +190 | 4 800 |
| 80 | +220 | +160 | +275 | +190 | 8 320 |

2.3.8 Lubrication

Linear plain bearings may be used with or without lubrication. For protection against corrosion and for improvement of sealing, it is advisable in many applications to fill the bearing with lubricating grease. The most suitable greases are the corrosion resistant and water repellent lithium soap types of normal consistency, for instance SKF LGMT 3. Never use greases containing molybdenum disulphide or other solid lubricants. The grease quantity and relubrication interval depends on the application.

2.3.9 Shafts for plain bearings

Usually shafts for plain bearings are made of soft carbon steels with a ground surface. The surface roughness R_a should lie in the region of $0,4 \mu\text{m}$. Where the demands on the bearing are more stringent, hardened sliding surfaces with a surface hardness of at least 50 HRC or a coating of the surface for instance with hard chrome, can be advantageous. In such cases the value of R_a should be in the region of $0,3 \mu\text{m}$. A higher quality of the surface will also enhance the running qualities where a lower quality will result in increased wear.

2.3.10 Housing tolerances and mounting of plain bearings

Please read **chapter 4** where all design rules and further details are explained. For housing tolerances, see **chapter 4.1.2** and for plain bearing mounting, see **chapter 4.2.3**.

2.4 Legend

| Legend | | |
|--|---|----------------------|
| α | misalignment | [minutes of arc (°)] |
| a | distance between clamping and point of application of load | [mm] |
| A | starting point of movement in one direction | |
| B | next reversal point | |
| β | angle of direction of load | [°] = [degree] |
| C | dynamic load rating | [N] |
| C_{max} | maximal dynamic load rating depending of load direction | [N] |
| C_{min} | minimal dynamic load rating depending of load direction | [N] |
| C_0 | basic static load rating | [N] |
| $C_{0,max}$ | maximal static load rating depending of load direction | [N] |
| $C_{0,min}$ | minimal static load rating depending of load direction | [N] |
| c_1 | factor for reliability | |
| c_2 | factor for operating conditions | |
| δ | elastic deformation of clearance free ball bearing in contact zone | [μ m] |
| f | shaft deflection | [μ m] |
| f_s | factor for stroke length | [μ m] |
| $f_{s,j}$ | factor for stroke length for load phase j | |
| f_i | factor for number of loaded bearings per shaft | |
| f_h | factor for hardness of shaft | |
| $f_{h,0}$ | static factor for hardness of shaft | |
| f_l | factor for direction of load | |
| $f_{l,j}$ | factor for direction of load during a particular load phase | |
| $f_{l,0,j}$ | static factor for direction of load during a load phase j | |
| f_m | factor for misalignment | |
| $f_{m,j}$ | factor for misalignment during a load phase j | |
| $F_{ws,max}$ | largest inscribed diameter measurements of the ball set | [μ m] |
| $F_{ws,min}$ | smallest inscribed diameter measurements of the ball set | [μ m] |
| F | bearing load [N] | [N] |
| $F_{x,i}, F_{y,i}, F_{z,i}$ | external loads in x-, y- and z-direction | [N] |
| F_y, F_z | bearing loads in y- and z-direction | [N] |
| $F_{y1}, F_{y2}, F_{y3}, F_{y4}, F_{z1}, F_{z2}, F_{z3}, F_{z4}$ | bearing load in y- and z-direction at bearing No. 1, No. 2, No. 3 and No. 4 | [N] |
| F_{comb} | combined bearing load | [N] |
| $F_{comb,j}$ | combined bearing load during a load phase j | [N] |
| K | viscosity ratio | |
| l | shaft length | [mm] |
| L_{nh} | modified basic rating life | [h] |
| L_{ns} | modified basic rating life | [km] |
| L_{10s} | basic rating life | [km] |
| M_{x1}, M_{x2} | bearing torque load about x-axis at bearing No. 1, No. 2 | [Nm] |
| n | stroke frequency | [double strokes/min] |
| ν | actual kinematic viscosity | [mm ² /s] |
| ν_1 | requisite minimum viscosity | [mm ² /s] |
| p | life exponent of rolling elements | |
| p | specific bearing load for plain bearings | [N/mm ²] |
| P | equivalent dynamic load | [N] |
| P_j | equivalent dynamic load during a particular load phase | [N] |
| P_m | equivalent dynamic mean load | [N] |
| P_{max} | maximum equivalent load | [N] |
| P_0 | maximum static load | [N] |
| S_0 | static safety factor | |
| S | stroke length | [mm] |
| S_j | individual stroke length during a particular load phase | [mm] |
| S_s | sub stroke length | [mm] |
| S_{sin} | single stroke length | [mm] |
| S_{tot} | total stroke length | [mm] |
| t | temperature | [°C] |
| v | mean operating speed | [m/s] |
| x, y, z | leverarms of external loads | [mm] |

Dimensions from product data

| | | |
|----------------|--|------|
| C | width of linear ball bearing | [mm] |
| C ₁ | distance of outer edges of the grooves in the outside cylindrical surface of a linear ball bearing | [mm] |
| C ₄ | half of width of sliding surface of a plain bearing | [mm] |
| d | shaft diameter | [mm] |
| d ₁ | inner diameter of hollow shaft | [mm] |
| F _w | nominal inscribed diameter of the ball set = nominal diameter of bore of linear plain bearing" | [mm] |

Indices

| | |
|---|---|
| i | counter for external loads |
| U | number of loads that act simultaneously |
| j | counter for load phases |
| V | number of load phases |

3

Product range



3.1 Compact linear bearings

Linear ball bearings – LBBR

The LBBR linear ball bearing is a unique Ewellix design. The compact bearing is excellent for integration of a linear guide function into other machine parts. It consists of a plastic cage with hardened steel raceway plates to guide the ball sets. The bearing dimensions are in line with ISO 10285 series 1. The LBBR raceway plates have been designed to fully utilize the entire length of the loaded zone to increase load ratings and extend bearing rating life. The plastic cage is designed to incorporate optimum functionality and performance. Well-designed ball recirculations offer nearly frictionless and low noise linear guiding function. Sealed variants with integral double lip seals keep the lubricant inside the bearing and provide optimum protection for contamination from outside. Sealed bearings in normal environments and applications are lubricated for life and nearly maintenance free. Bearings for almost frictionless guiding functions are fitted with non-contacting shields to protect the bearing from large particles. The cage itself provides self-holding functions of the bearings in an appropriate housing and under normal conditions. No additional axial fixation of the LBBR bearings is necessary. LBBR bearings are factory pre-lubricated with bearing grease. With suffix HV6, the linear bearings are available with stainless steel balls and raceway plates for corrosive or harsh environment applications.

Linear plain bearings – LPBR

Ewellix linear plain bearings have the same dimensions as LBBR linear ball bearings. They are made of copolymer polyoxymethylene with a special polyethylene to provide smooth and stick-slip-free operation. Linear plain bearings are self-lubricating under normal conditions and are nearly maintenance free. They offer high static load ratings and are resistant to shock loads. Ewellix recommends a light coating of lubricant during installation to improve its performance during the running-in period. LPBR linear plain bearings are intended for high shock loads or shock load applications where motion speed is limited. The same as LBBR linear bearings, they are self-holding in an appropriate housing.

External shaft seals - SP

Compact linear bearings in very harsh conditions can be equipped with additional external shaft seals to improve the service life of the bearing. SP seals have a steel insert covered by rubber material. Shaft seals are also self-holding inside an appropriate housing and require extra housing length to fit in. The high seal lip pressure on the shaft surface provides excellent functionality against contamination, when friction force is less important.



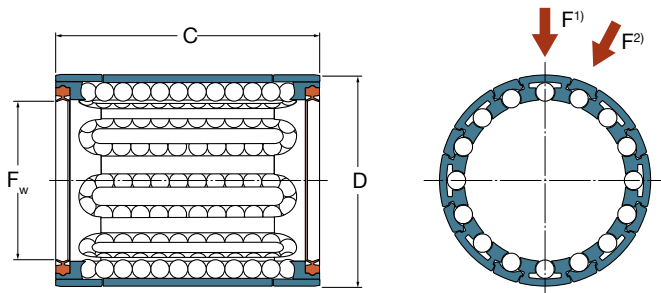
3.1.1 Compact linear ball bearings - LBBR

- Closed design

- Sizes from 3 mm to 50 mm
- Self-holding in appropriate housing ³⁾
- Factory pre-lubricated with SKF LGEP 2 grease ⁵⁾
- Lubricated for life under normal conditions
- Available in variants of 2 seals, 2 shields or seal and shield
- Available as bearing steel (standard) or stainless-steel variant
- Clearance or preload determined by shaft and housing bore tolerance



Pictured is LBBR 30-2LS



Picture shows LBBR with 2 double lip seals

| Dimensions | | | No. of ball rows |
|-------------|-------------------|------------------|------------------|
| F_w mm | D ³⁾ | C | – |
| 3 | 7 | 10 | 4 |
| 4 | 8 | 12 | 4 |
| 5 | 10 | 15 | 4 |
| 6 | 12 | 22 ⁴⁾ | 4 |
| 8 | 15 | 24 | 4 |
| 10 | 17 | 26 | 5 |
| 12 | 19 | 28 | 5 |
| 14 | 21 | 28 | 5 |
| 16 | 24 | 30 | 5 |
| 20 | 28 | 30 | 6 |
| 25 | 35 | 40 | 7 |
| 30 | 40 | 50 | 8 |
| 40 | 52 | 60 | 8 |
| 50 | 62 | 70 | 9 |

¹⁾ Direction for max. static load ratings of all sizes and max. dynamic load ratings of sizes 3 to 20 and 50

²⁾ Direction for max. dynamic load ratings for size 25, 30, 40. For these 3 sizes, the directions of max. static and max. dynamic load ratings differ

³⁾ The linear ball bearing requires no additional axial fixation when fitted into a bore with tolerance J7 or J6

⁴⁾ Width 22 does not correspond to series 1 standards in ISO 10285

⁵⁾ Can be re-lubricated in appropriate housings

LBBR

| Designations | | | Mass | Basic load ratings ¹⁾ | | | |
|------------------------|----------------------------|------------------------------|--------|----------------------------------|-------|-----------------------|-------|
| with shields | with 2 double lip seals | with 1 double lip seal | | dynamic C | max | static C ₀ | max |
| – | | | kg | min ²⁾ | | min ²⁾ | |
| LBBR 3 ³⁾ | LBBR 3-2LS ³⁾ | LBBR 3-LS ^{3) s)} | 0,0007 | 60 | 67 | 44 | 63 |
| LBBR 4 ³⁾ | LBBR 4-2LS ³⁾ | LBBR 4-LS ^{3) s)} | 0,001 | 75 | 85 | 60 | 85 |
| LBBR 5 ³⁾ | LBBR 5-2LS ³⁾ | LBBR 5-LS ^{3) s)} | 0,002 | 170 | 193 | 129 | 183 |
| LBBR 6 A ⁴⁾ | LBBR 6 A-2LS ⁴⁾ | LBBR 6 A-LS ^{4) s)} | 0,006 | 335 | 390 | 270 | 380 |
| LBBR 8 | LBBR 8-2LS | LBBR 8-LS ^{s)} | 0,007 | 490 | 560 | 355 | 500 |
| LBBR 10 | LBBR 10-2LS | LBBR 10-LS ^{s)} | 0,011 | 585 | 695 | 415 | 600 |
| LBBR 12 | LBBR 12-2LS | LBBR 12-LS ^{s)} | 0,012 | 695 | 815 | 510 | 750 |
| LBBR 14 | LBBR 14-2LS | LBBR 14-LS ^{s)} | 0,013 | 710 | 850 | 530 | 765 |
| LBBR 16 | LBBR 16-2LS | LBBR 16-LS ^{s)} | 0,018 | 930 | 1 100 | 630 | 915 |
| LBBR 20 | LBBR 20-2LS | LBBR 20-LS ^{s)} | 0,021 | 1 160 | 1 220 | 800 | 1 020 |
| LBBR 25 | LBBR 25-2LS | LBBR 25-LS ^{s)} | 0,047 | 2 080 | 2 120 | 1 560 | 1 800 |
| LBBR 30 | LBBR 30-2LS | LBBR 30-LS ^{s)} | 0,07 | 3 100 | 3 150 | 2 700 | 3 050 |
| LBBR 40 | LBBR 40-2LS | LBBR 40-LS ^{s)} | 0,13 | 5 400 | 5 500 | 4 500 | 5 000 |
| LBBR 50 | LBBR 50-2LS | LBBR 50-LS ^{s)} | 0,18 | 6 950 | 7 100 | 6 300 | 6 950 |

LBBR in stainless steel

| Designations | | | Mass | Basic load ratings ¹⁾ | | | |
|----------------------------|--------------------------------|----------------------------------|--------|----------------------------------|-------|-----------------------|-------|
| with shields | with 2 double lip seals | with 1 double lip seal | | dynamic C | max | static C ₀ | max |
| – | | | kg | min ²⁾ | | min ²⁾ | |
| LBBR 3/HV6 ³⁾ | LBBR 3-2LS/HV6 ³⁾ | LBBR 3-LS/HV6 ^{3) n)} | 0,0007 | 60 | 67 | 44 | 63 |
| LBBR 4/HV6 ³⁾ | LBBR 4-2LS/HV6 ³⁾ | LBBR 4-LS/HV6 ^{3) n)} | 0,001 | 75 | 85 | 60 | 85 |
| LBBR 5/HV6 ³⁾ | LBBR 5-2LS/HV6 ³⁾ | LBBR 5-LS/HV6 ^{3) n)} | 0,002 | 170 | 193 | 129 | 183 |
| LBBR 6 A/HV6 ⁴⁾ | LBBR 6 A-2LS/HV6 ⁴⁾ | LBBR 6 A-LS/HV6 ^{4) n)} | 0,006 | 335 | 390 | 270 | 380 |
| LBBR 8/HV6 | LBBR 8-2LS/HV6 | LBBR 8-LS/HV6 ⁿ⁾ | 0,007 | 490 | 560 | 355 | 500 |
| LBBR 10/HV6 | LBBR 10-2LS/HV6 | LBBR 10-LS/HV6 ⁿ⁾ | 0,011 | 585 | 695 | 415 | 600 |
| LBBR 12/HV6 | LBBR 12-2LS/HV6 | LBBR 12-LS/HV6 ⁿ⁾ | 0,012 | 695 | 815 | 510 | 750 |
| LBBR 14/HV6 | LBBR 14-2LS/HV6 | LBBR 14-LS/HV6 ⁿ⁾ | 0,013 | 710 | 850 | 530 | 765 |
| LBBR 16/HV6 | LBBR 16-2LS/HV6 | LBBR 16-LS/HV6 ⁿ⁾ | 0,018 | 930 | 1 100 | 630 | 915 |
| LBBR 20/HV6 | LBBR 20-2LS/HV6 | LBBR 20-LS/HV6 ⁿ⁾ | 0,021 | 1 160 | 1 220 | 800 | 1020 |
| LBBR 25/HV6 | LBBR 25-2LS/HV6 | LBBR 25-LS/HV6 ⁿ⁾ | 0,047 | 2 080 | 2 120 | 1 560 | 1 800 |
| LBBR 30/HV6 | LBBR 30-2LS/HV6 | LBBR 30-LS/HV6 ⁿ⁾ | 0,07 | 3 100 | 3 150 | 2 700 | 3 050 |
| LBBR 40/HV6 | LBBR 40-2LS/HV6 | LBBR 40-LS/HV6 ⁿ⁾ | 0,13 | 5 400 | 5 500 | 4 500 | 5 000 |
| LBBR 50/HV6 | LBBR 50-2LS/HV6 | LBBR 50-LS/HV6 ⁿ⁾ | 0,18 | 6 950 | 7 100 | 6 300 | 6 950 |

Items without letter footnote are usually available from stock.

ⁿ⁾ Delivery time on request

^{s)} Delivery time usually 10 days for max. quantity of 4; larger quantities on request

¹⁾ Basic load ratings are valid for bearing steel and stainless steel variants, but they must be reduced if stainless steel shafts are used

²⁾ To be used if mounted randomly and the direction of max. load rating and the main load are not aligned

³⁾ Delivered and packaged in units of 4 preserved bearings which need lubrication before mounting

⁴⁾ Factory pre-lubricated with lubricant Klueber Paraliq P460

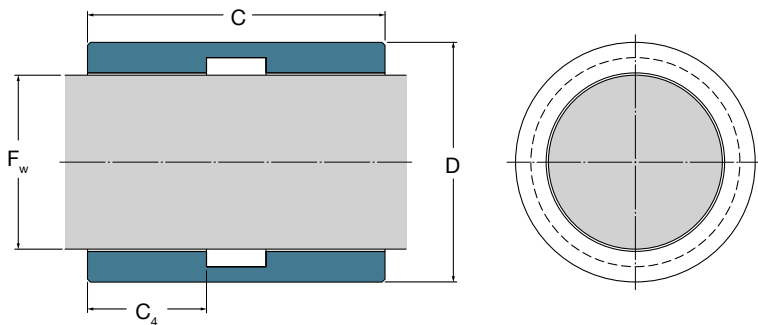
3.1.2 Compact linear plain bearings - LPBR

- Closed design

- Sizes from 12 mm to 50 mm
- Self-holding in appropriate housing ¹⁾
- Self-lubricating material
- Dimensionally interchangeable with LBBR linear bearings



Pictured is LPBR 40



| Dimensions | | | | | Basic load ratings | | | Mass | Designations Linear plain bearings |
|------------|------------------|---------------|----|-------|--------------------|-------|--------|-------|---------------------------------------|
| F_w | $D^{1)}$ -0,1 | $D_{housing}$ | C | C_4 | dyn. at 0,1 m/s | 4 m/s | stat. | | |
| mm | | | | | C | | C_0 | kg | - |
| 12 | 19,19 | 19 | 28 | 10 | 965 | 24 | 3 350 | 0,006 | LPBR 12 ³⁾ |
| 14 | 21,21 | 21 | 28 | 12 | 1 340 | 34 | 4 750 | 0,007 | LPBR 14 ³⁾ |
| 16 | 24,23 | 24 | 30 | 12 | 1 530 | 38 | 5 400 | 0,009 | LPBR 16 ³⁾ |
| 20 | 28,24 | 28 | 30 | 13 | 2 080 | 52 | 7 350 | 0,011 | LPBR 20 ³⁾ |
| 25 | 35,25 | 35 | 40 | 17 | 3 400 | 85 | 12 000 | 0,024 | LPBR 25 ³⁾ |
| 30 | 40,27 | 40 | 50 | 20 | 4 800 | 120 | 17 000 | 0,033 | LPBR 30 ³⁾ |
| 40 | 52,32 | 52 | 60 | 24 | 7 650 | 193 | 27 000 | 0,064 | LPBR 40 ³⁾ |
| 50 | 62,35 | 62 | 70 | 27 | 10 800 | 270 | 38 000 | 0,089 | LPBR 50 ³⁾ |

¹⁾The linear plain bearing requires no additional axial fixation when fitted into a housing with bore diameter $D_{housing}$ in tolerance J7 or J6

³⁾Delivery time usually 10 days for max. quantity of 4; larger quantities on request

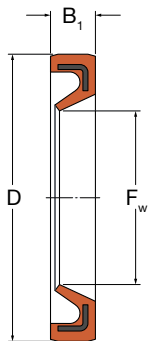
3.1.3 External shaft seals for compact bearings

- Sizes from 6 mm to 50 mm
- Self-holding in appropriate housing
- Request housings with longer length
- Excellent for high contamination environments

Find further details about sealing possibilities in **chapter 4.1.5**.



Pictured is SP-30x40x04/SEAL



| Dimensions | | | Designations ^{1) 2)} |
|----------------------|----|----------------|--------------------------------|
| F _w mm | D | B ₁ | – |
| 6 | 12 | 2 | SP-06x12x02/SEAL |
| 8 | 15 | 3 | SP-08x15x03/SEAL ⁿ⁾ |
| 10 | 17 | 3 | SP-10x17x03/SEAL |
| 12 | 19 | 3 | SP-12x19x03/SEAL |
| 14 | 21 | 3 | SP-14x21x03/SEAL |
| 16 | 24 | 3 | SP-16x24x03/SEAL |
| 20 | 28 | 4 | SP-20x28x04/SEAL |
| 25 | 35 | 4 | SP-25x35x04/SEAL |
| 30 | 40 | 4 | SP-30x40x04/SEAL |
| 40 | 52 | 5 | SP-40x52x05/SEAL |
| 50 | 62 | 5 | SP-50x62x05/SEAL |

Items without letter footnote are usually available from stock.

ⁿ⁾ Delivery time on request

¹⁾ Max. speed 3 m/s

²⁾ The designation of the shaft seal in catalogue and on the seal can differ. Eg. SP-10x17x3 (catalogue) and SP-10 17 3-4 (on the seal)

3.2 Compact linear units

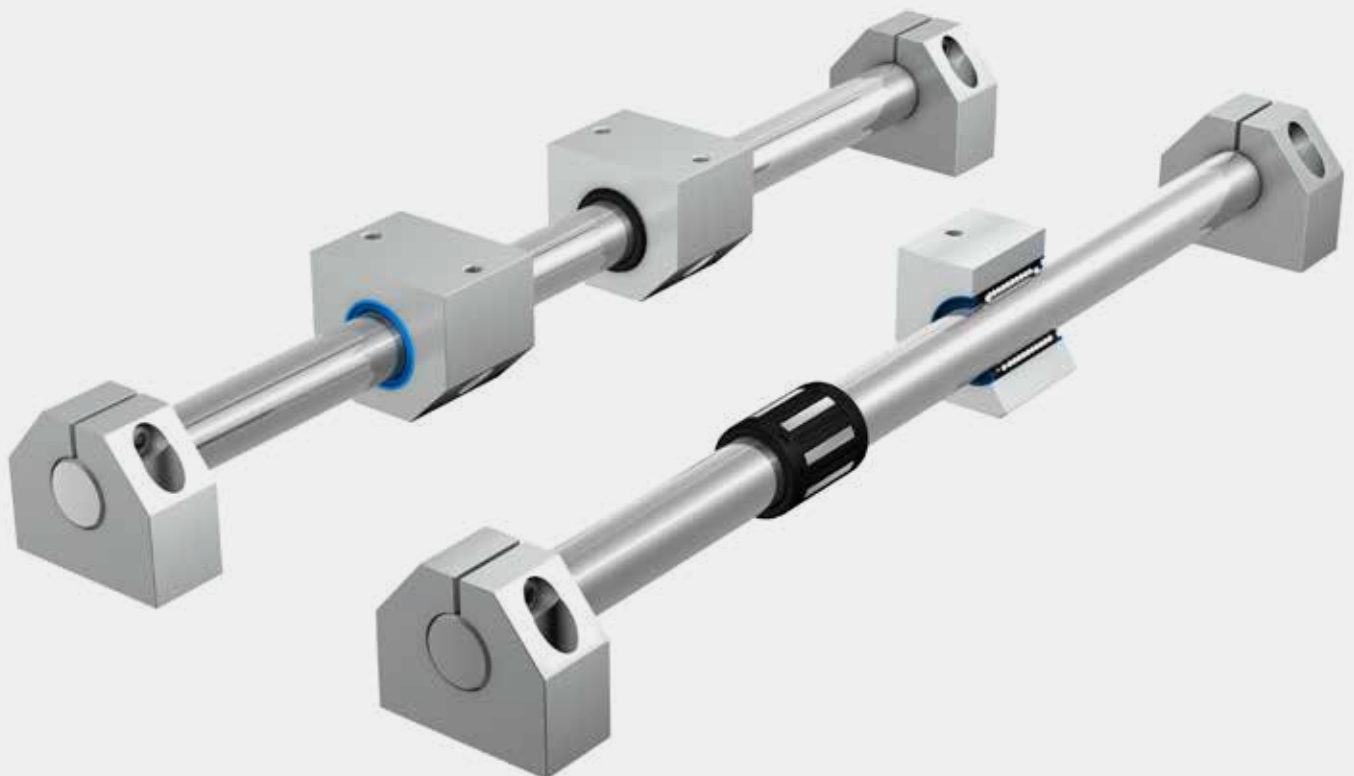
The combination of a linear bearing and housing is called a unit. The housing defines the clearance of the bearing and is essential for the linear function. Ewellix offers several types of linear bearing units to meet the demand for flexible slide design options with regard to width and length with modular standard products.

Linear bearing units of the compact range consist of a linear bearing and an aluminium housing. These units are extremely compact, cost-effective and lightweight. All linear bearing units are factory pre-lubricated for direct use. Thanks to factory pre-lubrication and the integral double lip seals, these units can operate without relubrication, under normal operating conditions. Therefore, the compact units have no grease fitting for relubrication.

If re-greasing is required by the application, please contact Ewellix for support.

For corrosive or humid environments, Ewellix offers different units with the stainless steel variant of the LBBR bearing. This is identified by a HV6 suffix in the designation, e.g. LUHR 20-2LS/HV6. Additionally, the units are available with plain bearings too.

To complete the linear guiding system, precision shafts and shaft blocks are needed. Please find suitable shaft blocks in **chapter 3.6** and precision shafts in different materials and designs in **chapter 3.7**.



LUHR/LUJR

LUHR and LUJR compact linear units are single units and consist of a closed aluminium housing and a LBBR linear ball bearing, with or without seals. LUJR are of the same design as LUHR but have an extended housing length for two additional external shaft seals for highly contaminated environments. LUHR and LUJR are also available with LPBR linear plain bearings. LUHR/LUJR units can be used to build any flexible design or configuration of compact linear slide systems. They can be bolted from the bottom and top side and are greased for life under normal conditions. Both designs are available for shaft diameters from 12 to 50 mm. Please find suitable shaft blocks in **chapter 3.6**.

LTBR

LTBR compact tandem units consist of two mounted LBBR linear ball bearings in an aluminium housing. The bearings of a tandem unit with designation -2LS have seals towards the outside of the housing. They are also available with LPBR linear plain bearings. LTBR units are particularly suitable for tables or slides of any width and can be bolted from the bottom and top side. They are greased for life under normal conditions. These units are available for shaft diameters ranging from 12 to 50 mm. Please find suitable shaft blocks in **chapter 3.6**.

LTDR

LTDR compact duo units are characterised by a defined shaft distance and contain two parallel LBBR linear ball bearings in an aluminium housing. The bearings can be with or without seals. They are also available with a LPBR linear plain bearing. LTDR units are suitable for slides of flexible length. The space between the two bearings of the duo configuration permits easy fitting of a linear drive. The units can be bolted from the bottom and top side and are greased for life under normal conditions. The units are available for shaft diameters from 12 to 50 mm. Please find suitable shaft blocks in **chapter 3.6**.

LQBR

LQBR compact quadro units contain four LBBR linear ball bearings within an aluminium housing. The bearings of a quadro unit with designation -2LS are sealed towards the outside of the housing. Quadro units can also be equipped with LPBR linear plain bearings. Such quadro units are perfectly suited to build slide systems and the space between the bearings permits easy fitting of a linear drive. Quadro linear bearing units are greased for life under normal conditions. The units can be bolted from the bottom and top side. Please find suitable shaft blocks in **chapter 3.6**.

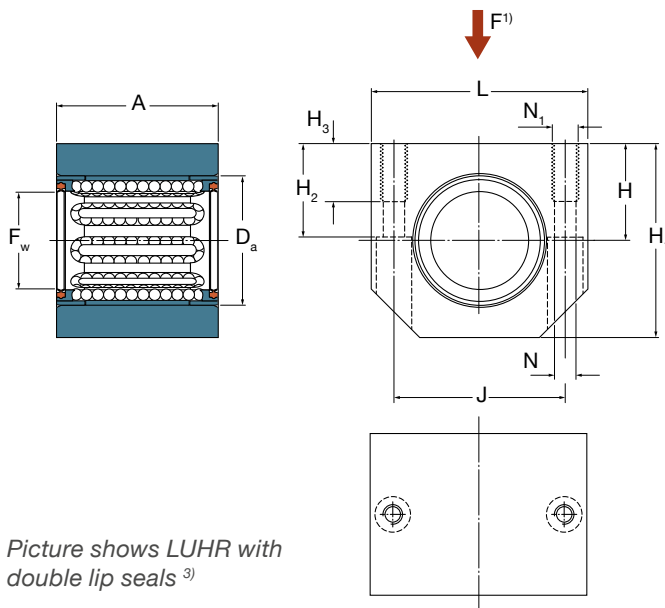
3.2.1 Compact linear units – LUHR

- LUHR with LBBR bearing
- LUHR PB with LPBR linear plain bearing

- Sizes from 12 mm to 50 mm, for flexible slide design
- Aluminium housing covers the entire bearing length
- Pre-lubricated units, greased for life under normal conditions
- Available as sealed or shielded variant for low friction
- Standard or stainless steel linear ball bearings are available
- Units can be bolted from the bottom and top side



Pictured is LUHR 20-2LS ³⁾



Picture shows LUHR with double lip seals ³⁾

| Dimensions | | | | | | | | | | |
|-------------|----|-------|--------------|-------|-------|-------|-----|----|----------|------------|
| F_w mm | A | D_a | $H \pm 0,01$ | H_1 | H_2 | H_3 | L | J | $N^{2)}$ | N_1 - |
| 12 | 28 | 19 | 17 | 33 | 16 | 11 | 40 | 29 | 4,3 | M5 |
| 16 | 30 | 24 | 19 | 38 | 18 | 11 | 45 | 34 | 4,3 | M5 |
| 20 | 30 | 28 | 23 | 45 | 22 | 13 | 53 | 40 | 5,3 | M6 |
| 25 | 40 | 35 | 27 | 54 | 26 | 18 | 62 | 48 | 6,6 | M8 |
| 30 | 50 | 40 | 30 | 60 | 29 | 18 | 67 | 53 | 6,6 | M8 |
| 40 | 60 | 52 | 39 | 76 | 38 | 22 | 87 | 69 | 8,4 | M10 |
| 50 | 70 | 62 | 47 | 92 | 46 | 26 | 103 | 82 | 10,5 | M12 |

¹⁾ Direction for max. load ratings

²⁾ For cylinder head screws with internal hexagon according to ISO 4762

³⁾ Picture with shields or plain bearing differs

LUHR

| Designations | | | | Mass kg | Basic load ratings ¹⁾ | | | |
|-------------------------------------|-------------|---|-------------------------------|------------|----------------------------------|-------|-------------------------------------|-------|
| LBBR bearing inside with shields | | Stainless steel variant of LBBR bearing inside with double lip seals | | | dynamic C min max | | static C ₀ min max | |
| - | | - | | N | | - | | |
| LUHR 12 ^{s)} | LUHR 12-2LS | LUHR 12/HV6 ⁿ⁾ | LUHR 12-2LS/HV6 ⁿ⁾ | 0,08 | 695 | 815 | 510 | 750 |
| LUHR 16 ^{s)} | LUHR 16-2LS | LUHR 16/HV6 ⁿ⁾ | LUHR 16-2LS/HV6 ⁿ⁾ | 0,1 | 930 | 1 100 | 630 | 915 |
| LUHR 20 ^{s)} | LUHR 20-2LS | LUHR 20/HV6 ⁿ⁾ | LUHR 20-2LS/HV6 ⁿ⁾ | 0,14 | 1 160 | 1 220 | 800 | 1 020 |
| LUHR 25 ^{s)} | LUHR 25-2LS | LUHR 25/HV6 ⁿ⁾ | LUHR 25-2LS/HV6 ⁿ⁾ | 0,25 | 2 120 | 2 080 | 1 560 | 1 800 |
| LUHR 30 ^{s)} | LUHR 30-2LS | LUHR 30/HV6 ⁿ⁾ | LUHR 30-2LS/HV6 ⁿ⁾ | 0,37 | 3 150 | 3 100 | 2 700 | 3 050 |
| LUHR 40 ^{s)} | LUHR 40-2LS | LUHR 40/HV6 ⁿ⁾ | LUHR 40-2LS/HV6 ⁿ⁾ | 0,74 | 5 500 | 5 400 | 4 500 | 5 000 |
| LUHR 50 ^{s)} | LUHR 50-2LS | LUHR 50/HV6 ⁿ⁾ | LUHR 50-2LS/HV6 ⁿ⁾ | 1,19 | 6 950 | 7 100 | 6 300 | 6 950 |

LUHR PB

| Designations LPBR linear plain bearing inside | Mass kg | Basic load ratings | | static ²⁾ C ₀ |
|--|------------|---------------------------------|----------|--|
| | | dynamic C at 0,1 m/s N | at 4 m/s | |
| - | - | - | - | - |
| LUHR 12 PB ^{s)} | 0,074 | 965 | 24 | 3 350 |
| LUHR 16 PB ^{s)} | 0,091 | 1 530 | 38 | 5 400 |
| LUHR 20 PB ^{s)} | 0,130 | 2 080 | 52 | 7 350 |
| LUHR 25 PB ^{s)} | 0,227 | 3 400 | 85 | 12 000 |
| LUHR 30 PB ^{s)} | 0,333 | 4 800 | 120 | 17 000 |
| LUHR 40 PB ^{s)} | 0,674 | 7 650 | 193 | 27 000 |
| LUHR 50 PB ^{s)} | 1,099 | 10 800 | 270 | 38 000 |

Items without letter footnote are usually available from stock.

^{s)} Delivery time on request

ⁿ⁾ Delivery time usually 10 days for max. quantity of 4; larger quantities on request

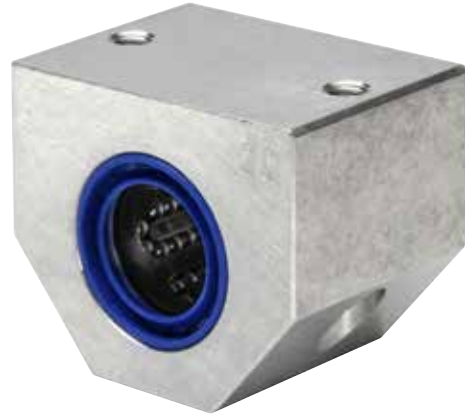
¹⁾ Basic load ratings are valid for bearing steel and stainless steel variants, but they must be reduced if stainless steel shafts are used

²⁾ Valid if the loads onto the housing are exclusively in direction of red arrow, see dimensional drawing on left page

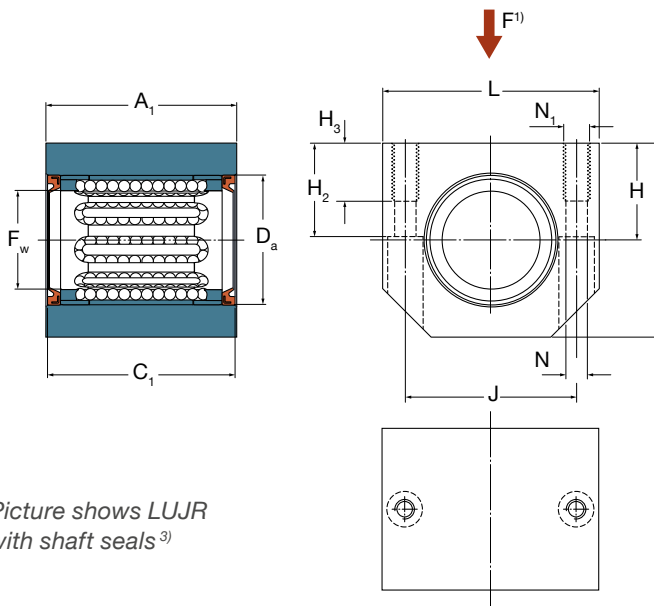
3.2.2 Compact linear units – LUJR

- LUJR with LBBR bearing and external shaft seals
- LUJR PB with LPBR linear plain bearing and external shaft seals

- Sizes from 12 mm to 50 mm, for flexible slide design
- Aluminium housing covers bearing and 2 shaft seals
- Pre-lubricated units, greased for life under normal conditions
- Equipped with two external seals for harsh environments
- Available as sealed (double sealed) or shielded variant
- Standard or stainless steel linear ball bearings are available
- Units can be bolted from the bottom and top side



Pictured is LUJR 20 ³⁾



Picture shows LUJR with shaft seals ³⁾

| Dimensions | | | | | | | | | | | |
|----------------------|----------------|----------------|----------------|---------|----------------|----------------|----------------|-----|----|-----------------|---------------------|
| F _w mm | A ₁ | C ₁ | D _a | H ±0,01 | H ₁ | H ₂ | H ₃ | L | J | N ²⁾ | N ₁ – |
| 12 | 35 | 34 | 19 | 17 | 33 | 16 | 11 | 40 | 29 | 4,3 | M5 |
| 16 | 37 | 36 | 24 | 19 | 38 | 18 | 11 | 45 | 34 | 4,3 | M5 |
| 20 | 39 | 38 | 28 | 23 | 45 | 22 | 13 | 53 | 40 | 5,3 | M6 |
| 25 | 49 | 48 | 35 | 27 | 54 | 26 | 18 | 62 | 48 | 6,6 | M8 |
| 30 | 59 | 58 | 40 | 30 | 60 | 29 | 18 | 67 | 53 | 6,6 | M8 |
| 40 | 71 | 70 | 52 | 39 | 76 | 38 | 22 | 87 | 69 | 8,4 | M10 |
| 50 | 81 | 80 | 62 | 47 | 92 | 46 | 26 | 103 | 82 | 10,5 | M12 |

¹⁾ Direction for max. load ratings

²⁾ For cylinder head screws with internal hexagon according to ISO 4762

³⁾ Picture with double lip seals or plain bearing differs

LUJR ²⁾

| Designations | | | | Mass kg | Basic load ratings ¹⁾ | | | |
|--------------------------------------|---------------------------|---|-------------------------------|------------|----------------------------------|-------|---------------------------------|-------|
| with shields | with double lip seals | with shields | with double lip seals | | dynamic C min N | max | static C ₀ min | max |
| LBBR bearing inside plus shaft seals | | Stainless steel variant of LBBR bearing inside plus shaft seals | | | | | | |
| – | | | | | | | | |
| LUJR 12 | LUJR 12-2LS ⁿ⁾ | LUJR 12/HV6 ⁿ⁾ | LUJR 12-2LS/HV6 ⁿ⁾ | 0,10 | 695 | 815 | 510 | 750 |
| LUJR 16 | LUJR 16-2LS ⁿ⁾ | LUJR 16/HV6 ⁿ⁾ | LUJR 16-2LS/HV6 ⁿ⁾ | 0,12 | 930 | 1 100 | 630 | 915 |
| LUJR 20 | LUJR 20-2LS ⁿ⁾ | LUJR 20/HV6 ⁿ⁾ | LUJR 20-2LS/HV6 ⁿ⁾ | 0,18 | 1 160 | 1 220 | 800 | 1 020 |
| LUJR 25 | LUJR 25-2LS ⁿ⁾ | LUJR 25/HV6 ⁿ⁾ | LUJR 25-2LS/HV6 ⁿ⁾ | 0,30 | 2 120 | 2 080 | 1 560 | 1 800 |
| LUJR 30 | LUJR 30-2LS ⁿ⁾ | LUJR 30/HV6 ⁿ⁾ | LUJR 30-2LS/HV6 ⁿ⁾ | 0,44 | 3 150 | 3 100 | 2 700 | 3 050 |
| LUJR 40 | LUJR 40-2LS ⁿ⁾ | LUJR 40/HV6 ⁿ⁾ | LUJR 40-2LS/HV6 ⁿ⁾ | 0,86 | 5 500 | 5 400 | 4 500 | 5 000 |
| LUJR 50 | LUJR 50-2LS ⁿ⁾ | LUJR 50/HV6 ⁿ⁾ | LUJR 50-2LS/HV6 ⁿ⁾ | 1,37 | 6 950 | 7 100 | 6 300 | 6 950 |

LUJR PB ²⁾

| Designations | Mass kg | Basic load ratings | | static ³⁾ C ₀ |
|---|------------|---------------------------------|----------|--|
| LPBR linear plain bearing inside plus shaft seals | | dynamic C at 0,1 m/s N | at 4 m/s | |
| – | | | | |
| LUJR 12 PB ⁿ⁾ | 0,09 | 965 | 24 | 3 350 |
| LUJR 16 PB ⁿ⁾ | 0,11 | 1 530 | 38 | 5 400 |
| LUJR 20 PB ⁿ⁾ | 0,17 | 2 080 | 52 | 7 350 |
| LUJR 25 PB ⁿ⁾ | 0,28 | 3 400 | 85 | 12 000 |
| LUJR 30 PB ⁿ⁾ | 0,40 | 4 800 | 120 | 17 000 |
| LUJR 40 PB ⁿ⁾ | 0,79 | 7 650 | 193 | 27 000 |
| LUJR 50 PB ⁿ⁾ | 1,28 | 10 800 | 270 | 38 000 |

Items without letter footnote are usually available from stock.

ⁿ⁾ Delivery time on request

^{o)} Delivery time usually 10 days for max. quantity of 4; larger quantities on request

¹⁾ Basic load ratings are valid for bearing steel and stainless steel variants, but they must be reduced if stainless steel shafts are used

²⁾ Max. speed 3 m/s

³⁾ Valid if the loads onto the housing are exclusively in direction of red arrow, see dimensional drawing on left page

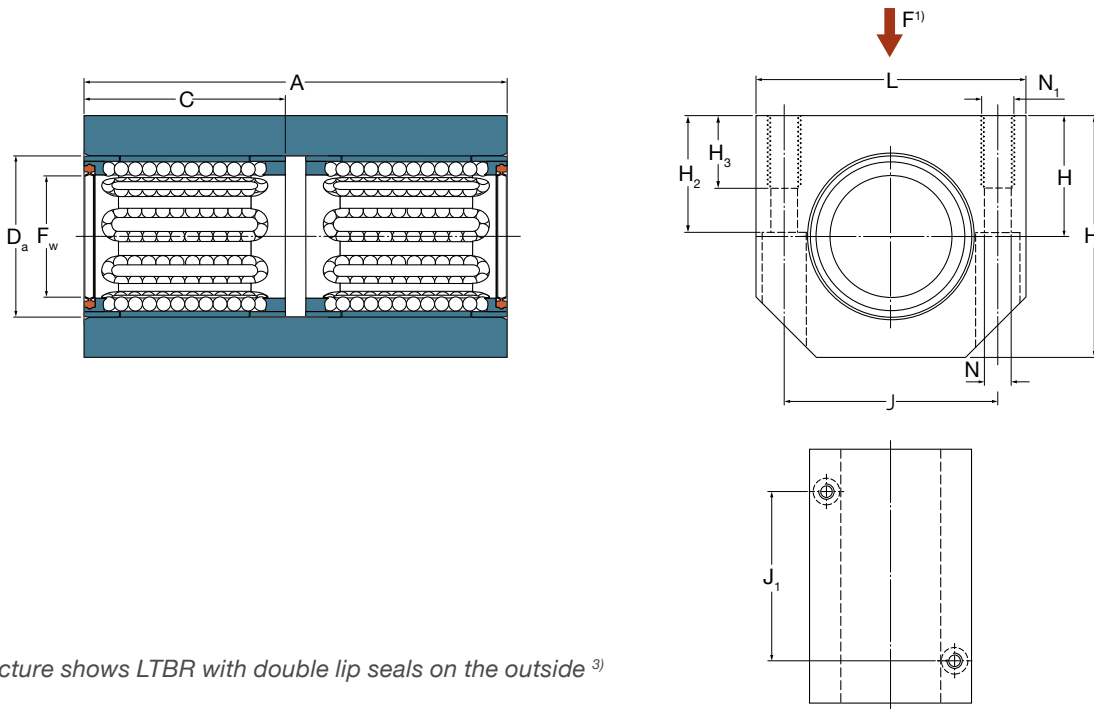
3.2.3 Compact tandem units - LTBR

- LTBR with LBBR bearings
- LTBR PB with LPBR linear plain bearings

- Sizes from 12 mm to 50 mm for flexible slide width
- Aluminium housing with 2 mounted bearings
- Pre-lubricated units, greased for life under normal conditions
- Available as sealed or shielded variant for low friction
- Standard or stainless steel linear ball bearings are available
- Units can be bolted from the bottom and top side



Pictured is LTBR 20-2LS ³⁾



Picture shows LTBR with double lip seals on the outside ³⁾

| Dimensions | | | | | | | | | | | | |
|----------------|-----|----|----------------|------------|----------------|----------------|----------------|----|----------------|-----|-----------------|----------------|
| F _w | A | C | D _a | H ±0,01 | H ₁ | H ₂ | H ₃ | J | J ₁ | L | N ²⁾ | N ₁ |
| mm | | | | | | | | | | | | - |
| 12 | 60 | 28 | 19 | 17 | 33 | 16 | 11 | 29 | 35 | 40 | 4,3 | M5 |
| 16 | 65 | 30 | 24 | 19 | 38 | 18 | 11 | 34 | 40 | 45 | 4,3 | M5 |
| 20 | 65 | 30 | 28 | 23 | 45 | 22 | 13 | 40 | 45 | 53 | 5,3 | M6 |
| 25 | 85 | 40 | 35 | 27 | 54 | 26 | 18 | 48 | 55 | 62 | 6,6 | M8 |
| 30 | 105 | 50 | 40 | 30 | 60 | 29 | 18 | 53 | 70 | 67 | 6,6 | M8 |
| 40 | 125 | 60 | 52 | 39 | 76 | 38 | 22 | 69 | 85 | 87 | 8,4 | M10 |
| 50 | 145 | 70 | 62 | 47 | 92 | 46 | 26 | 82 | 100 | 103 | 10,5 | M12 |

¹⁾ Direction for max. load ratings
²⁾ For 2 cylinder head screws with internal hexagon according to ISO 4762
³⁾ Picture with shields or plain bearing differs

LTBR

| Designations | | | Mass kg | Basic load ratings ¹⁾ | | | |
|-------------------------------------|---------------------------|---|------------|----------------------------------|--------|--------------------------|--------|
| LBBR bearing inside with shields | with double lip seals | Stainless steel variant of LBBR bearing inside with double lip seals | | dynamic C | | static C ₀ | |
| - | | | | min | max | min | max |
| LTBR 12 ^{s)} | LTBR 12-2LS ^{s)} | LTBR 12-2LS/HV6 ⁿ⁾ | 0,17 | 1 140 | 1 340 | 1 020 | 1 500 |
| LTBR 16 ^{s)} | LTBR 16-2LS ^{s)} | LTBR 16-2LS/HV6 ⁿ⁾ | 0,22 | 1 530 | 1 800 | 1 270 | 1 830 |
| LTBR 20 ^{s)} | LTBR 20-2LS ^{s)} | LTBR 20-2LS/HV6 ⁿ⁾ | 0,31 | 1 900 | 2 000 | 1 600 | 2 040 |
| LTBR 25 ^{s)} | LTBR 25-2LS ^{s)} | LTBR 25-2LS/HV6 ⁿ⁾ | 0,54 | 3 450 | 3 400 | 3 150 | 3 600 |
| LTBR 30 ^{s)} | LTBR 30-2LS ^{s)} | LTBR 30-2LS/HV6 ⁿ⁾ | 0,80 | 5 200 | 5 100 | 5 400 | 6 100 |
| LTBR 40 ^{s)} | LTBR 40-2LS ^{s)} | LTBR 40-2LS/HV6 ⁿ⁾ | 1,57 | 9 000 | 8 800 | 9 000 | 10 000 |
| LTBR 50 ^{s)} | LTBR 50-2LS ^{s)} | LTBR 50-2LS/HV6 ⁿ⁾ | 2,51 | 11 400 | 11 600 | 12 700 | 14 000 |

LTBR PB

| Designations LPBR linear plain bearing inside | Mass kg | Basic load ratings | | static ²⁾ C ₀ |
|--|------------|---------------------------------|----------|--|
| | | dynamic C at 0,1 m/s N | at 4 m/s | |
| LTBR 12 PB ⁿ⁾ | 0,16 | 1 930 | 48 | 6 700 |
| LTBR 16 PB ⁿ⁾ | 0,21 | 3 060 | 76 | 10 800 |
| LTBR 20 PB ⁿ⁾ | 0,29 | 4 160 | 104 | 14 700 |
| LTBR 25 PB ⁿ⁾ | 0,52 | 6 800 | 170 | 24 000 |
| LTBR 30 PB ⁿ⁾ | 0,75 | 9 600 | 240 | 34 000 |
| LTBR 40 PB ⁿ⁾ | 1,50 | 15 300 | 386 | 54 000 |
| LTBR 50 PB ⁿ⁾ | 2,38 | 21 600 | 540 | 76 000 |

ⁿ⁾ Delivery time on request

^{s)} Delivery time usually 10 days for max. quantity of 4; larger quantities on request

¹⁾ Basic load ratings are valid for bearing steel and stainless steel variants, but they must be reduced if stainless steel shafts are used

²⁾ Valid if the loads onto the housing are exclusively in direction of red arrow, see dimensional drawing on left page

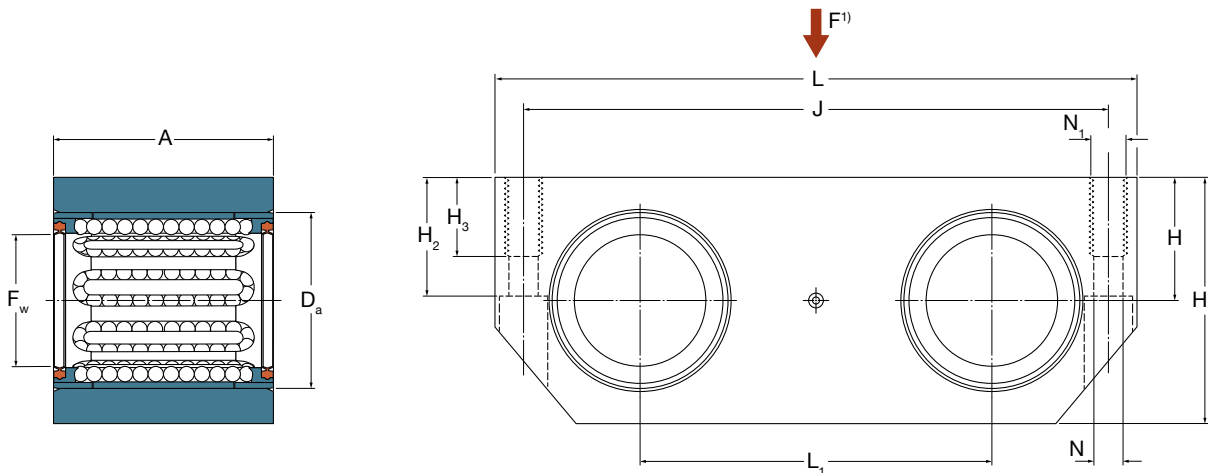
3.2.4 Compact duo units - LTDR

- LTDR with LBBR bearings
- LTDR PB with LPBR linear plain bearings

- Sizes from 12 mm to 50 mm, for flexible slide length
- Aluminium housing with 2 mounted bearings
- Pre-lubricated units, greased for life under normal conditions
- Available as sealed or shielded variant for low friction
- Standard or stainless steel linear ball bearings are available
- Units can be bolted from the bottom and top side



Pictured is LTDR 20-2LS ³⁾



Picture shows LTDR with double lip seals ³⁾

| Dimensions | | | | | | | | | | | |
|------------|----|-------|-----------------|-------|-------|-------|-----|-----|-------|----------|-------|
| F_w | A | D_a | H $\pm 0,01$ | H_1 | H_2 | H_3 | J | L | L_1 | $N^{2)}$ | N_1 |
| mm | | | | | | | | | | | - |
| 12 | 28 | 19 | 15 | 30 | 14 | 11 | 69 | 80 | 40 | 4,3 | M5 |
| 16 | 30 | 24 | 17,5 | 35 | 16,5 | 11 | 86 | 96 | 52 | 4,3 | M5 |
| 20 | 30 | 28 | 20 | 40 | 19 | 13 | 103 | 115 | 63 | 5,3 | M6 |
| 25 | 40 | 35 | 25 | 50 | 24 | 18 | 123 | 136 | 75 | 6,6 | M8 |
| 30 | 50 | 40 | 28 | 56 | 27 | 18 | 133 | 146 | 80 | 6,6 | M8 |
| 40 | 60 | 52 | 35 | 70 | 34 | 22 | 166 | 184 | 97 | 8,4 | M10 |
| 50 | 70 | 62 | 40 | 80 | 39 | 26 | 189 | 210 | 107 | 11 | M12 |

¹⁾ Direction for max. load ratings

²⁾ For 2 cylinder head screws with internal hexagon to ISO 4762 at the centre (0,5 A) of the linear bearing unit

³⁾ Picture with shields or plain bearing differs

LTDR

| Designations | | | Mass kg | Basic load ratings ¹⁾ | | | |
|-------------------------------------|---------------------------|---|------------|----------------------------------|--------|--------------------------|--------|
| LBDR bearing inside with shields | with double lip seals | Stainless steel variant of LBDR bearing inside with double lip seals | | dynamic C | | static C ₀ | |
| - | | | | min | max | min | max |
| LTDR 12 ⁿ⁾ | LTDR 12-2LS ^{s)} | LTDR 12-2LS/HV6 ⁿ⁾ | 0,15 | 1 140 | 1 340 | 1 020 | 1 500 |
| LTDR 16 ⁿ⁾ | LTDR 16-2LS ^{s)} | LTDR 16-2LS/HV6 ⁿ⁾ | 0,22 | 1 530 | 1 800 | 1 270 | 1 830 |
| LTDR 20 ⁿ⁾ | LTDR 20-2LS ^{s)} | LTDR 20-2LS/HV6 ⁿ⁾ | 0,30 | 1 900 | 2 000 | 1 600 | 2 040 |
| LTDR 25 ⁿ⁾ | LTDR 25-2LS ^{s)} | LTDR 25-2LS/HV6 ⁿ⁾ | 0,58 | 3 450 | 3 400 | 3 150 | 3 600 |
| LTDR 30 ⁿ⁾ | LTDR 30-2LS ^{s)} | LTDR 30-2LS/HV6 ⁿ⁾ | 0,85 | 5 200 | 5 100 | 5 400 | 6 100 |
| LTDR 40 ⁿ⁾ | LTDR 40-2LS ^{s)} | LTDR 40-2LS/HV6 ⁿ⁾ | 1,56 | 9 000 | 8 800 | 9 000 | 10 000 |
| LTDR 50 ⁿ⁾ | LTDR 50-2LS ^{s)} | LTDR 50-2LS/HV6 ⁿ⁾ | 2,21 | 11 400 | 11 600 | 12 700 | 14 000 |

LTDR PB

| Designations LPBR linear plain bearing inside | Mass kg | Basic load ratings | | static ²⁾ C ₀ |
|--|------------|---------------------------------|----------|--|
| | | dynamic C at 0,1 m/s N | at 4 m/s | |
| LTDR 12 PB ⁿ⁾ | 0,14 | 1 930 | 48 | 6 700 |
| LTDR 16 PB ⁿ⁾ | 0,21 | 30 60 | 76 | 10 800 |
| LTDR 20 PB ⁿ⁾ | 0,28 | 4 160 | 104 | 14 700 |
| LTDR 25 PB ⁿ⁾ | 0,56 | 6 800 | 170 | 24 000 |
| LTDR 30 PB ⁿ⁾ | 0,80 | 9 600 | 240 | 34 000 |
| LTDR 40 PB ⁿ⁾ | 1,49 | 15 300 | 386 | 54 000 |
| LTDR 50 PB ⁿ⁾ | 2,08 | 21 600 | 540 | 76 000 |

ⁿ⁾ Delivery time on request

^{s)} Delivery time usually 10 days for max. quantity of 4; larger quantities on request

¹⁾ Basic load ratings are valid for bearing steel and stainless steel variants, but they must be reduced if stainless steel shafts are used

²⁾ Valid if the loads onto the housing are exclusively in direction of red arrow, see dimensional drawing on left page

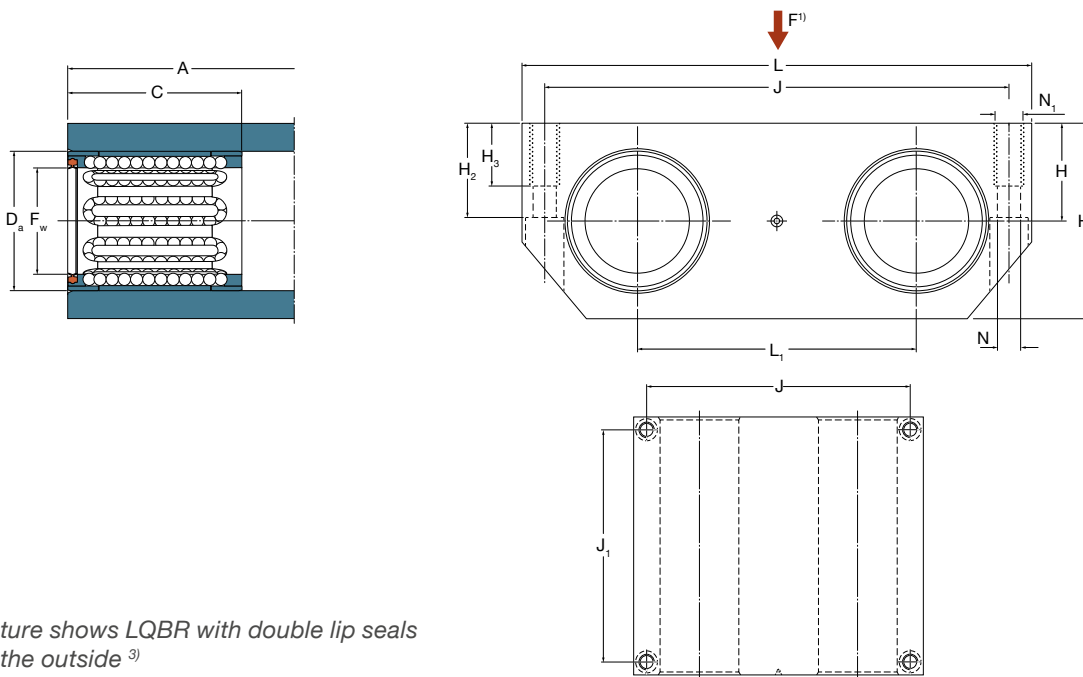
3.2.5 Compact quadro units - LQBR

- LQBR with LBBR bearings
- LQBR PB with LPBR linear plain bearings

- Sizes from 12 mm to 50 mm, a compact slide ready to use
- Aluminium housing with 4 mounted bearings
- Pre-lubricated units, greased for life under normal conditions
- Available as sealed or shielded variant for low friction
- Standard or stainless steel linear ball bearings are available
- Units can be bolted from the bottom and top side



Pictured is LQBR 20-2LS³⁾



Picture shows LQBR with double lip seals on the outside³⁾

| Dimensions | | | | | | | | | | | | | |
|----------------|-----|----|----------------|------------|----------------|----------------|----------------|-----|----------------|-----|----------------|-----------------|----------------|
| F _w | A | C | D _a | H ±0,01 | H ₁ | H ₂ | H ₃ | J | J ₁ | L | L ₁ | N ²⁾ | N ₁ |
| mm | | | | | | | | | | | | | - |
| 12 | 70 | 28 | 19 | 15 | 30 | 14 | 11 | 69 | 59 | 80 | 40 | 4,3 | M5 |
| 16 | 80 | 30 | 24 | 17,5 | 35 | 16,5 | 11 | 86 | 70 | 96 | 52 | 4,3 | M5 |
| 20 | 85 | 30 | 28 | 20 | 40 | 19 | 13 | 103 | 73 | 115 | 63 | 5,3 | M6 |
| 25 | 100 | 40 | 35 | 25 | 50 | 24 | 18 | 123 | 87 | 136 | 75 | 6,6 | M8 |
| 30 | 130 | 50 | 40 | 28 | 56 | 27 | 18 | 133 | 117 | 146 | 80 | 6,6 | M8 |
| 40 | 150 | 60 | 52 | 35 | 70 | 34 | 22 | 166 | 132 | 184 | 97 | 8,4 | M10 |
| 50 | 175 | 70 | 62 | 40 | 80 | 39 | 26 | 189 | 154 | 210 | 107 | 10,5 | M12 |

¹⁾ Direction for max. load ratings

²⁾ For 4 cylinder head screws with internal hexagon according to ISO 4762

³⁾ Picture with shields or plain bearing differs

LQBR

| Designations | | | Mass kg | Basic load ratings ¹⁾ | | | |
|-------------------------------------|---------------------------|---|------------|----------------------------------|--------|--------------------------|--------|
| LBBR bearing inside with shields | with double lip seals | Stainless steel variant of LBBR bearing inside with double lip seals | | dynamic C | | static C ₀ | |
| – | | | | min | max | min | max |
| LQBR 12 ⁿ⁾ | LQBR 12-2LS ^{s)} | LQBR 12-2LS/HV6 ⁿ⁾ | 0,38 | 1 860 | 2 160 | 2 040 | 3 000 |
| LQBR 16 ⁿ⁾ | LQBR 16-2LS ^{s)} | LQBR 16-2LS/HV6 ⁿ⁾ | 0,57 | 2 500 | 2 900 | 2 550 | 3 650 |
| LQBR 20 ⁿ⁾ | LQBR 20-2LS ^{s)} | LQBR 20-2LS/HV6 ⁿ⁾ | 0,82 | 3 100 | 3 250 | 3 200 | 4 150 |
| LQBR 25 ⁿ⁾ | LQBR 25-2LS ^{s)} | LQBR 25-2LS/HV6 ⁿ⁾ | 1,43 | 5 600 | 5 500 | 6 300 | 7 200 |
| LQBR 30 ⁿ⁾ | LQBR 30-2LS ^{s)} | LQBR 30-2LS/HV6 ⁿ⁾ | 2,15 | 8 500 | 8 300 | 10 800 | 12 200 |
| LQBR 40 ⁿ⁾ | LQBR 40-2LS ^{s)} | LQBR 40-2LS/HV6 ⁿ⁾ | 3,83 | 14 600 | 14 300 | 18 000 | 20 000 |
| LQBR 50 ⁿ⁾ | LQBR 50-2LS ^{s)} | LQBR 50-2LS/HV6 ⁿ⁾ | 5,40 | 18 600 | 19 000 | 25 500 | 28 000 |

LQBR PB

| Designations LPBR linear plain bearing inside | Mass kg | Basic load ratings | | static ²⁾ C ₀ |
|--|------------|---------------------------------|----------|--|
| | | dynamic C at 0,1 m/s N | at 4 m/s | |
| – | | | | |
| LQBR 12 PB ⁿ⁾ | 0,36 | 3 860 | 96 | 13 400 |
| LQBR 16 PB ⁿ⁾ | 0,55 | 6 120 | 152 | 21 600 |
| LQBR 20 PB ⁿ⁾ | 0,78 | 8 320 | 208 | 29 400 |
| LQBR 25 PB ⁿ⁾ | 1,39 | 13 600 | 340 | 48 000 |
| LQBR 30 PB ⁿ⁾ | 2,06 | 19 200 | 480 | 68 000 |
| LQBR 40 PB ⁿ⁾ | 3,68 | 30 600 | 772 | 108 000 |
| LQBR 50 PB ⁿ⁾ | 5,14 | 43 200 | 1 080 | 152 000 |

ⁿ⁾ Delivery time on request^{s)} Delivery time usually 10 days for max. quantity of 4; larger quantities on request¹⁾ Basic load ratings are valid for bearing steel and stainless steel variants, but they must be reduced if stainless steel shafts are used²⁾ Valid if the loads onto the housing are exclusively in direction of red arrow, see dimensional drawing on left page

3.3 Standard linear ball bearings

Linear ball bearings - LBC

Standard linear ball bearings type LBC are well established in the market and the best choice for a variety of applications. High load ratings combined with silent and smooth motion behaviour is provided by this high quality product. The range from diameter 5 mm to 80 mm is in line with ISO 10285 series 3 dimensions.

LBC bearings consist of a plastic cage with hardened steel raceway plates, balls and seals. The cage design and ball recirculation is optimised for low noise and nearly no maintenance. Our enormous experience in raceway technology is utilised for these linear ball bearings resulting in outstanding performance.

All Ewellix LBC bearings are available with double lip seals or with non-contacting shields. By using suffix -LS, the bearing is equipped with one shield and one seal on the right hand side of the bearing (→ **fig. 1**).

The linear bearings are factory pre-lubricated and the sizes from 12 mm to 80 mm have a lubrication port to regrease directly into the bearings. Ewellix grease fittings have double functionality and are used as axial as well as rotational fixation for the bearing inside the housing, which is mandatory. Please find additional information about fixation in **chapter 3.3.7** and **chapter 4.1.4**.

Different sizes come in different designs, to cover the whole range of LBC bearings. For each diameter from 5 mm to 80 mm, Ewellix offers the bearings either in the A-type (black) design or the D-type design (blue). Linear ball bearings of the D-design have a "D" after the size in the designation, e.g. LBCD 16D-2LS. For harsh environments, each LBC bearing is also available as a stainless steel variant identified by suffix /HV6 in the designation.

Open type linear ball bearings - LBC

Ewellix offers closed bearings for unsupported shafts and open bearings for supported shafts. Supported shaft solutions are used for long linear travel distances where shaft bending of closed designs would be too high. LBC bearings from size 12 to 80 mm in open design are available with shields or seals and additionally are equipped with a longitudinal gap seal along the shaft sides. For longest life or demanding load applications, a heavy duty type bearing named LBHT is expanding the range. The LBHT bearing is equipped with the maximum number of raceway plates to reach the highest load rating per size.

Self-aligning linear ball bearings - LBC

The open and closed types both are available with the self-aligning feature. Inaccurate machining of the mounting surfaces, misaligned shafts, or high load shaft bending can lead to internal stresses when the bearing system is bolted. For such applications, the use of a self-aligning linear ball bearing is recommended.

These bearings have a raceway plate with a special profile on the outside. A spherical elevation is ground in the centre of the raceway plate, which allows tilting of the whole bearing up to an angle of ± 30 minutes of arc. Self-aligning bearings can significantly reduce stress and noise in many applications. The result is less peak loads and an extended bearing life at lower maintenance cost.

In order to ensure proper sealing functionality of the linear bearing, the outside diameter of the cage is reduced slightly. That allows the entire bearing including the seals to follow the tilting position exactly concentric around the shaft. Ewellix self-aligning bearings have proven to achieve good sealing and low friction performance in many applications. (→ **fig. 2**).

Linear plain bearings - LPA

Ewellix linear plain bearings are interchangeable with LBC linear ball bearings in closed and open design. They are made from special polyoxymethylene plastic to provide smooth and stick-slip-free operation. Linear plain bearings are self-lubricating under normal conditions and are nearly maintenance free. They are used in high static load or shock load applications. Ewellix recommends a light lubrication during installation to improve the performance when running-in. LPA linear plain bearings must be fixed in appropriate housings.

Fig. 1

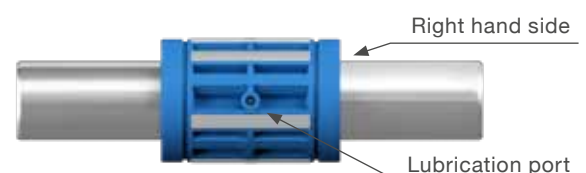
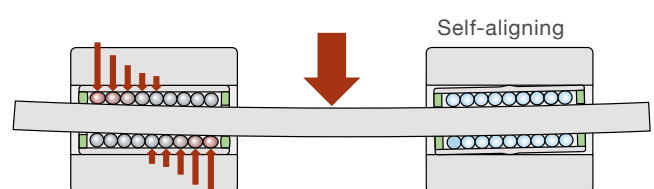


Fig. 2



LBCR

LBCR standard linear ball bearings with their optimised raceway length and the precisely shaped osculation are made for high loads. The straight design of the raceway plate is best for rigid linear bearing applications. The available variants and sizes from 5mm to 80 mm make it suitable for nearly every linear slide solution.

The operating clearance is determined by the housing and the shaft tolerance. When mounted into a slotted housing, the clearance can be adjusted to the needs of the machine. LBCR linear ball bearings must be fixed in an axial direction either via the Ewellix grease fittings or retaining rings according to DIN 471.

LBCD - self-aligning

LBCD is the self-aligning type of the closed LBCR standard linear bearing. The self-aligning raceway plate allows bearing adjustments of maximum ± 30 minutes of arc. During a self-aligning process, the bearing seal always stays in optimum contact with the shaft. The LBCD is best for applications which require silent linear motion and smooth running performance. Ewellix offers them from size 12 mm to 50 mm.

Same as with LBCR bearings, the operating clearance is determined by the housing and the shaft tolerance while it can be adjusted in slotted housings towards the machine's needs. LBCD linear ball bearings must be fixed in axial direction either via the Ewellix grease fittings or retaining rings according to DIN 471.

LBCT / LBHT

LBCT and LBHT are open type standard linear ball bearings used for supported shaft solutions. They are best for long linear travel distance applications, where the shaft bending on closed types has its limitations. The straight raceway plates support solutions requiring high rigidity. The LBCT type is available from size 12 mm to 80 mm, where the heavy duty type LBHT is from size 20 mm to 50 mm. The LBHT linear ball bearing is equipped with the maximum number of raceway plates and is perfect for the highest loads. Both bearing types have a gap seal along the shaft side to avoid contamination.

In appropriate housings, like Ewellix housing LHCT, the clearance can be adjusted. Open type LBCT/LBHT linear ball bearings must be fixed to prevent axial and radial moves inside the housing.

LBCF - self-aligning

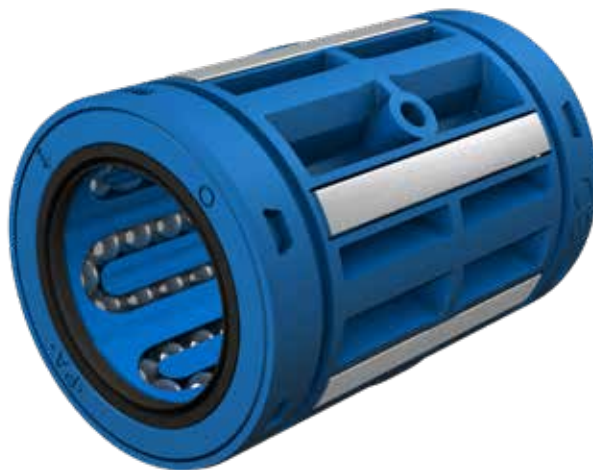
LBCF is the self-aligning variant of the open LBCT type. With the possible bearing adjustment of maximum ± 30 minutes of arc, it is best for silent linear motion and smooth running performance. With supported shafts, nearly unlimited stroke of linear slides is possible. The LBCF type is available from size 12 mm to 50 mm.

In appropriate housings, like Ewellix housing LHCT, the clearance can be adjusted. Open type LBCF linear ball bearings must be fixed to prevent axial and radial moves inside the housing. The fixation can be easily done with Ewellix grease fittings. For more information on grease fittings, see **chapter 3.3.7**.

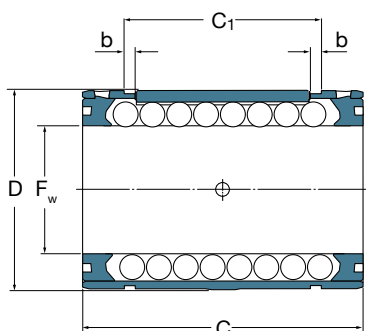
3.3.1 Standard linear ball bearings - LBCR

- Closed design

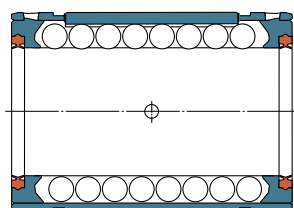
- Sizes from 5 mm to 80 mm
- Straight raceway design to support high loads
- Available in variants of 2 seals, 2 shields or seal and shield
- Available as bearing steel (standard) or stainless steel variant
- Factory pre-lubricated with SKF LGEP 2 grease, ready for use
- Clearance or preload determined by shaft and housing bore tolerance, in slotted housings adjustable
- Suitable grease fittings for axial fixation are in **chapter 3.3.7**



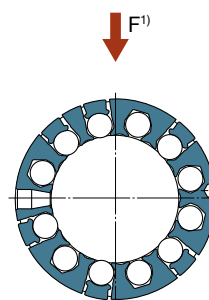
Pictured is LBCR 30 D-2LS ²⁾



Picture shows LBCR D with shields ²⁾



Picture shows LBCR D with 2 double lip seals ²⁾



| Dimensions | | | | | | No. of ball rows |
|------------|-----|-----|-------|----------|---|------------------|
| F_w | D | C | C_1 | b min | | |
| mm | | | | | - | |
| 5 | 12 | 22 | 14,2 | 1,1 | 4 | |
| 8 | 16 | 25 | 16,2 | 1,1 | 4 | |
| 12 | 22 | 32 | 22,6 | 1,3 | 5 | |
| 16 | 26 | 36 | 24,6 | 1,3 | 5 | |
| 20 | 32 | 45 | 31,2 | 1,6 | 6 | |
| 25 | 40 | 58 | 43,7 | 1,85 | 6 | |
| 30 | 47 | 68 | 51,7 | 1,85 | 6 | |
| 40 | 62 | 80 | 60,3 | 2,15 | 6 | |
| 50 | 75 | 100 | 78,5 | 2,65 | 7 | |
| 60 | 90 | 125 | 102,1 | 3,15 | 7 | |
| 80 | 120 | 165 | 133 | 4,15 | 7 | |

¹⁾ Direction for max. load ratings

²⁾ Picture of non D-series bearing differs

LBCR

| Designations | | | Mass | Basic load ratings ¹⁾ | | | |
|-------------------------|-----------------------------|----------------------------|-------|----------------------------------|--------|-----------------------|--------|
| with shields | with 2 double lip seals | with 1 double lip seal | | dynamic C | max | static C ₀ | max |
| – | | | kg | min ²⁾ | | min ²⁾ | |
| LBCR 5 ^{3) 4)} | LBCR 5-2LS ^{3) 4)} | – | 0,005 | 280 | 320 | 210 | 300 |
| LBCR 8 ⁴⁾ | LBCR 8-2LS ⁴⁾ | LBCR 8-LS ^{4) s)} | 0,009 | 490 | 570 | 355 | 500 |
| LBCR 12 D | LBCR 12 D-2LS | LBCR 12 D-LS ^{s)} | 0,02 | 930 | 1 370 | 695 | 1 120 |
| LBCR 16 D | LBCR 16 D-2LS | LBCR 16 D-LS ^{s)} | 0,026 | 1 080 | 1 600 | 800 | 1 290 |
| LBCR 20 D | LBCR 20 D-2LS | LBCR 20 D-LS ^{s)} | 0,056 | 2 200 | 3 250 | 1 630 | 2 650 |
| LBCR 25 D | LBCR 25 D-2LS | LBCR 25 D-LS ^{s)} | 0,108 | 3 100 | 4 550 | 2 360 | 3 800 |
| LBCR 30 D | LBCR 30 D-2LS | LBCR 30 D-LS ^{s)} | 0,168 | 4 800 | 7 100 | 3 550 | 5 700 |
| LBCR 40 D | LBCR 40 D-2LS | LBCR 40 D-LS ^{s)} | 0,323 | 7 650 | 11 200 | 5 100 | 8 300 |
| LBCR 50 A | LBCR 50 A-2LS | LBCR 50 A-LS ^{s)} | 0,46 | 9 650 | 13 400 | 7 200 | 12 200 |
| LBCR 60 A | LBCR 60 A-2LS | LBCR 60 A-LS ^{s)} | 0,82 | 14 600 | 20 400 | 11 200 | 18 000 |
| LBCR 80 A | LBCR 80 A-2LS | LBCR 80 A-LS ^{s)} | 1,9 | 26 500 | 37 500 | 19 600 | 32 000 |

LBCR in stainless steel

| Designations | | | Mass | Basic load ratings ¹⁾ | | | |
|--------------------------------|------------------------------------|--------------------------------|-------|----------------------------------|--------|-----------------------|--------|
| with shields | with 2 double lip seals | with 1 double lip seal | | dynamic C | max | static C ₀ | max |
| – | | | kg | min ²⁾ | | min ²⁾ | |
| LBCR 5/HV6 ^{3) 4) n)} | LBCR 5-2LS/HV6 ^{3) 4) s)} | – | 0,005 | 280 | 320 | 210 | 300 |
| LBCR 8/HV6 ^{4) n)} | LBCR 8-2LS/HV6 ^{4) s)} | LBCR 8-LS/HV6 ^{4) n)} | 0,009 | 490 | 570 | 355 | 500 |
| LBCR 12 D/HV6 ⁿ⁾ | LBCR 12 D-2LS/HV6 ^{s)} | LBCR 12 D-LS/HV6 ⁿ⁾ | 0,02 | 930 | 1 370 | 695 | 1 120 |
| LBCR 16 D/HV6 ⁿ⁾ | LBCR 16 D-2LS/HV6 ^{s)} | LBCR 16 D-LS/HV6 ⁿ⁾ | 0,026 | 1 080 | 1 600 | 800 | 1 290 |
| LBCR 20 D/HV6 ⁿ⁾ | LBCR 20 D-2LS/HV6 ^{s)} | LBCR 20 D-LS/HV6 ⁿ⁾ | 0,056 | 2 200 | 3 250 | 1 630 | 2 650 |
| LBCR 25 D/HV6 ⁿ⁾ | LBCR 25 D-2LS/HV6 ^{s)} | LBCR 25 D-LS/HV6 ⁿ⁾ | 0,108 | 3 100 | 4 550 | 2 360 | 3 800 |
| LBCR 30 D/HV6 ⁿ⁾ | LBCR 30 D-2LS/HV6 ^{s)} | LBCR 30 D-LS/HV6 ⁿ⁾ | 0,168 | 4 800 | 7 100 | 3 550 | 5 700 |
| LBCR 40 D/HV6 ⁿ⁾ | LBCR 40 D-2LS/HV6 ^{s)} | LBCR 40 D-LS/HV6 ⁿ⁾ | 0,323 | 7 650 | 11 200 | 5 100 | 8 300 |
| LBCR 50 A/HV6 ⁿ⁾ | LBCR 50 A-2LS/HV6 ^{s)} | LBCR 50 A-LS/HV6 ⁿ⁾ | 0,46 | 9 650 | 13 400 | 7 200 | 12 200 |
| LBCR 60 A/HV6 ⁿ⁾ | LBCR 60 A-2LS/HV6 ⁿ⁾ | LBCR 60 A-LS/HV6 ⁿ⁾ | 0,82 | 14 600 | 20 400 | 11 200 | 18 000 |
| LBCR 80 A/HV6 ⁿ⁾ | LBCR 80 A-2LS/HV6 ⁿ⁾ | LBCR 80 A-LS/HV6 ⁿ⁾ | 1,9 | 26 500 | 37 500 | 19 600 | 32 000 |

Items without letter footnote are usually available from stock.

ⁿ⁾ Delivery time on request

^{s)} Delivery time usually 10 days for max. quantity of 4; larger quantities on request

¹⁾ Basic load ratings are valid for bearing steel and stainless steel variants, but they must be reduced if stainless steel shafts are used

²⁾ To be used if mounted randomly and the direction of max. load rating and the main load are not aligned

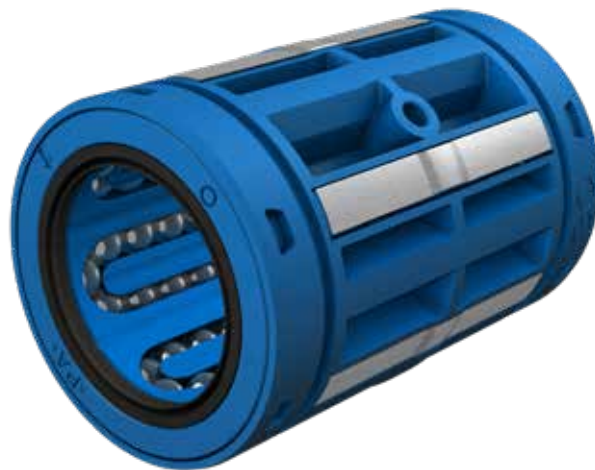
³⁾ Factory pre-lubricated with lubricant Klueber Paraliq P460

⁴⁾ Linear ball bearings LBCR 5 and LBCR 8 are without fixation hole

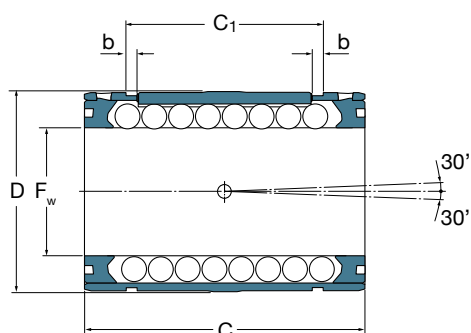
3.3.2 Standard linear ball bearings - LBCD

- Closed design, self-aligning

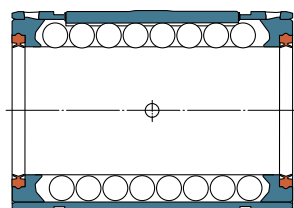
- Sizes from 12 mm to 50 mm
- Possible tilting angle of ± 30 minutes of arc (self-aligning)
- Available in variants of 2 seals, 2 shields or seal and shield
- Available as bearing steel (standard) or stainless steel variant
- Factory pre-lubricated with SKF LGEP 2 grease, ready for use
- Clearance or preload determined by shaft and housing bore tolerance, in slotted housings adjustable
- Suitable grease fittings for axial fixation are in **chapter 3.3.7**



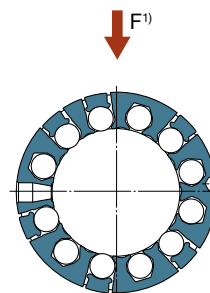
Pictured is LBCD 30 D-2LS ²⁾



Picture shows LBCD D with shields ²⁾



Picture shows LBCD D with 2 double lip seals ²⁾



| Dimensions | | | | | | No. of ball rows |
|------------|----|-----|-------|------|--|------------------|
| F_w | D | C | C_1 | b | | |
| mm | | | | min | | - |
| 12 | 22 | 32 | 22,6 | 1,3 | | 5 |
| 16 | 26 | 36 | 24,6 | 1,3 | | 5 |
| 20 | 32 | 45 | 31,2 | 1,6 | | 6 |
| 25 | 40 | 58 | 43,7 | 1,85 | | 6 |
| 30 | 47 | 68 | 51,7 | 1,85 | | 6 |
| 40 | 62 | 80 | 60,3 | 2,15 | | 6 |
| 50 | 75 | 100 | 78,5 | 2,65 | | 7 |

¹⁾ Direction for max. load ratings

²⁾ Picture of non D-series bearing differs

LBCD

| Designations | | | Mass | Basic load ratings ¹⁾ | | | |
|--------------|-------------------------|----------------------------|-------|----------------------------------|--------|--|-------|
| with shields | with 2 double lip seals | with 1 double lip seal | | dynamic C min ²⁾ | max | static C ₀ min ²⁾ | max |
| – | | | kg | N | | | |
| LBCD 12 D | LBCD 12 D-2LS | LBCD 12 D-LS ^{s)} | 0,02 | 800 | 1 220 | 570 | 930 |
| LBCD 16 D | LBCD 16 D-2LS | LBCD 16 D-LS ^{s)} | 0,025 | 950 | 1 400 | 655 | 1 060 |
| LBCD 20 D | LBCD 20 D-2LS | LBCD 20 D-LS ^{s)} | 0,055 | 1 730 | 2 550 | 1 120 | 1 800 |
| LBCD 25 D | LBCD 25 D-2LS | LBCD 25 D-LS ^{s)} | 0,106 | 2 600 | 3 800 | 1 430 | 2 320 |
| LBCD 30 D | LBCD 30 D-2LS | LBCD 30 D-LS ^{s)} | 0,166 | 3 800 | 5 600 | 2 320 | 3 750 |
| LBCD 40 D | LBCD 40 D-2LS | LBCD 40 D-LS ^{s)} | 0,316 | 6 550 | 9 650 | 3 350 | 5 700 |
| LBCD 50 A | LBCD 50 A-2LS | LBCD 50 A-LS ^{s)} | 0,44 | 8 000 | 11 200 | 4 150 | 6 950 |

LBCD in stainless steel

| Designations | | | Mass | Basic load ratings ¹⁾ | | | |
|-----------------------------|---------------------------------|--------------------------------|-------|----------------------------------|--------|--|-------|
| with shields | with 2 double lip seals | with 1 double lip seal | | dynamic C min ²⁾ | max | static C ₀ min ²⁾ | max |
| – | | | kg | N | | | |
| LBCD 12 D/HV6 ⁿ⁾ | LBCD 12 D-2LS/HV6 ^{s)} | LBCD 12 D-LS/HV6 ⁿ⁾ | 0,02 | 800 | 1 220 | 570 | 930 |
| LBCD 16 D/HV6 ⁿ⁾ | LBCD 16 D-2LS/HV6 ^{s)} | LBCD 16 D-LS/HV6 ⁿ⁾ | 0,025 | 950 | 1 400 | 655 | 1 060 |
| LBCD 20 D/HV6 ⁿ⁾ | LBCD 20 D-2LS/HV6 ^{s)} | LBCD 20 D-LS/HV6 ⁿ⁾ | 0,055 | 1 730 | 2 550 | 1 120 | 1 800 |
| LBCD 25 D/HV6 ⁿ⁾ | LBCD 25 D-2LS/HV6 ^{s)} | LBCD 25 D-LS/HV6 ⁿ⁾ | 0,106 | 2 600 | 3 800 | 1 430 | 2 320 |
| LBCD 30 D/HV6 ⁿ⁾ | LBCD 30 D-2LS/HV6 ^{s)} | LBCD 30 D-LS/HV6 ⁿ⁾ | 0,166 | 3 800 | 5 600 | 2 320 | 3 750 |
| LBCD 40 D/HV6 ⁿ⁾ | LBCD 40 D-2LS/HV6 ^{s)} | LBCD 40 D-LS/HV6 ⁿ⁾ | 0,316 | 6 550 | 9 650 | 3 350 | 5 700 |
| LBCD 50 A/HV6 ⁿ⁾ | LBCD 50 A-2LS/HV6 ^{s)} | LBCD 50 A-LS/HV6 ⁿ⁾ | 0,44 | 8 000 | 11 200 | 4 150 | 6 950 |

Items without letter footnote are usually available from stock.

ⁿ⁾ Delivery time on request

^{s)} Delivery time usually 10 days for max. quantity of 4; larger quantities on request

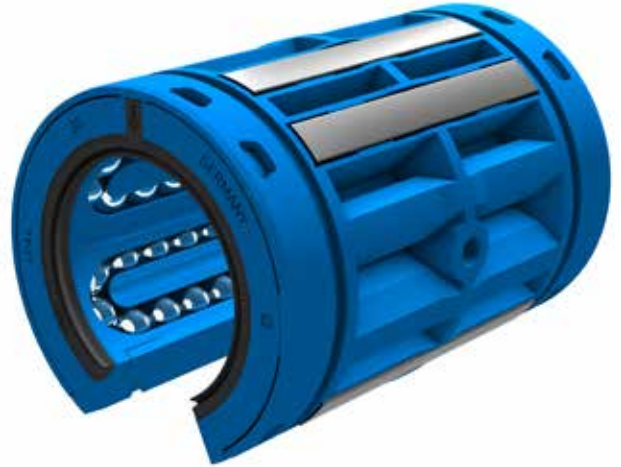
¹⁾ Basic load ratings are valid for bearing steel and stainless steel variants, but they must be reduced if stainless steel shafts are used

²⁾ To be used if mounted randomly and the direction of max. load rating and the main load are not aligned

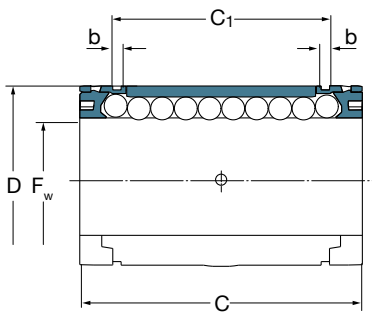
3.3.3 Standard linear ball bearings - LBCT

- Open design

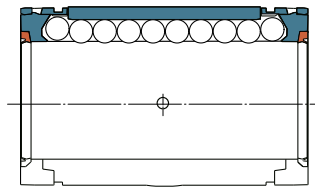
- Sizes from 12 mm to 80 mm
- Open design for long strokes together with supported shafts
- Straight raceway design to support high loads
- Available in variants of 2 seals, 2 shields or seal and shield
- Available as bearing steel (standard) or stainless steel variant
- Factory pre-lubricated with SKF LGEP 2 grease, ready for use
- Clearance or preload determined by shaft and housing bore tolerance, adjustable in Ewellix units
- Suitable grease fittings for axial fixation are in **chapter 3.3.7**



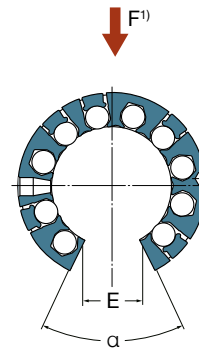
Pictured is LBCT 30 D-2LS ²⁾



Picture shows LBCT D with shields ²⁾



Picture shows LBCT D with 2 double lip seals ²⁾



| Dimensions | | | | | | | No. of ball rows |
|------------|-----|-----|-------|-------|----------|----------|------------------|
| F_w | D | C | C_1 | b min | $E^{3)}$ | α | |
| mm | | | | | | Deg. | - |
| 12 | 22 | 32 | 22,6 | 1,3 | 8 | 78 | 4 |
| 16 | 26 | 36 | 24,6 | 1,3 | 10 | 78 | 4 |
| 20 | 32 | 45 | 31,2 | 1,6 | 11 | 60 | 5 |
| 25 | 40 | 58 | 43,7 | 1,85 | 13 | 60 | 5 |
| 30 | 47 | 68 | 51,7 | 1,85 | 14 | 50 | 5 |
| 40 | 62 | 80 | 60,3 | 2,15 | 19 | 50 | 5 |
| 50 | 75 | 100 | 78,5 | 2,65 | 23,6 | 50 | 6 |
| 60 | 90 | 125 | 102,1 | 3,15 | 29,6 | 54 | 6 |
| 80 | 120 | 165 | 133 | 4,15 | 38,4 | 54 | 6 |

¹⁾ Direction for max. load ratings

²⁾ Picture of non D-series bearing differs

³⁾ Minimum sector width at diameter F_w

LBCT

| Designations | | | Mass | Basic load ratings ¹⁾ | | | |
|-------------------------|-----------------------------|----------------------------|-------|----------------------------------|--------|-----------------------|--------|
| with shields | with 2 double lip seals | with 1 double lip seal | | dynamic C | max | static C ₀ | max |
| – | | | kg | min ²⁾ | | min ²⁾ | |
| LBCT 12 D | LBCT 12 D-2LS | LBCT 12 D-LS ^{s)} | 0,016 | 695 | 1 220 | 510 | 1 020 |
| LBCT 16 D | LBCT 16 D-2LS | LBCT 16 D-LS ^{s)} | 0,020 | 765 | 1 500 | 585 | 1 370 |
| LBCT 20 D | LBCT 20 D-2LS | LBCT 20 D-LS ^{s)} | 0,046 | 1 860 | 3 200 | 1 340 | 2 700 |
| LBCT 25 D ^{u)} | LBCT 25 D-2LS ^{u)} | LBCT 25 D-LS ^{u)} | 0,090 | 2 700 | 4 650 | 2 000 | 4 000 |
| LBCT 30 D | LBCT 30 D-2LS | LBCT 30 D-LS ^{s)} | 0,142 | 4 150 | 7 200 | 3 000 | 6 000 |
| LBCT 40 D ^{u)} | LBCT 40 D-2LS ^{u)} | LBCT 40 D-LS ^{u)} | 0,272 | 6 400 | 11 000 | 4 250 | 8 500 |
| LBCT 50 A | LBCT 50 A-2LS | LBCT 50 A-LS ^{s)} | 0,39 | 5 850 | 13 400 | 5 300 | 12 200 |
| LBCT 60 A | LBCT 60 A-2LS | LBCT 60 A-LS ^{s)} | 0,72 | 8 650 | 20 400 | 8 000 | 18 000 |
| LBCT 80 A | LBCT 80 A-2LS | LBCT 80 A-LS ^{s)} | 1,67 | 16 000 | 37 500 | 14 000 | 32 000 |

LBCT in stainless steel

| Designations | | | Mass | Basic load ratings ¹⁾ | | | |
|-----------------------------|---------------------------------|--------------------------------|-------|----------------------------------|--------|-----------------------|--------|
| with shields | with 2 double lip seals | with 1 double lip seal | | dynamic C | max | static C ₀ | max |
| – | | | kg | min ²⁾ | | min ²⁾ | |
| LBCT 12 D/HV6 ⁿ⁾ | LBCT 12 D-2LS/HV6 ^{s)} | LBCT 12 D-LS/HV6 ⁿ⁾ | 0,016 | 695 | 1 220 | 510 | 1 020 |
| LBCT 16 D/HV6 ⁿ⁾ | LBCT 16 D-2LS/HV6 ^{s)} | LBCT 16 D-LS/HV6 ⁿ⁾ | 0,020 | 765 | 1 500 | 585 | 1 370 |
| LBCT 20 D/HV6 ⁿ⁾ | LBCT 20 D-2LS/HV6 ^{s)} | LBCT 20 D-LS/HV6 ⁿ⁾ | 0,046 | 1 860 | 3 200 | 1 340 | 2 700 |
| LBCT 25 D/HV6 ^{u)} | LBCT 25 D-2LS/HV6 ^{u)} | LBCT 25 D-LS/HV6 ^{u)} | 0,090 | 2 700 | 4 650 | 2 000 | 4 000 |
| LBCT 30 D/HV6 ⁿ⁾ | LBCT 30 D-2LS/HV6 ^{s)} | LBCT 30 D-LS/HV6 ⁿ⁾ | 0,142 | 4 150 | 7 200 | 3 000 | 6 000 |
| LBCT 40 D/HV6 ^{u)} | LBCT 40 D-2LS/HV6 ^{u)} | LBCT 40 D-LS/HV6 ^{u)} | 0,272 | 6 400 | 11 000 | 4 250 | 8 500 |
| LBCT 50 A/HV6 ⁿ⁾ | LBCT 50 A-2LS/HV6 ^{s)} | LBCT 50 A-LS/HV6 ⁿ⁾ | 0,39 | 5 850 | 13 400 | 5 300 | 12 200 |
| LBCT 60 A/HV6 ⁿ⁾ | LBCT 60 A-2LS/HV6 ^{s)} | LBCT 60 A-LS/HV6 ⁿ⁾ | 0,72 | 8 650 | 20 400 | 8 000 | 18 000 |
| LBCT 80 A/HV6 ⁿ⁾ | LBCT 80 A-2LS/HV6 ^{s)} | LBCT 80 A-LS/HV6 ⁿ⁾ | 1,67 | 16 000 | 37 500 | 14 000 | 32 000 |

Items without letter footnote are usually available from stock.

ⁿ⁾ Delivery time on request

^{s)} Delivery time usually 10 days for max. quantity of 4; larger quantities on request

^{u)} Size 25 available from Q1/2021; Size 40 under development; A-design linear ball bearings of both sizes are available until replacement

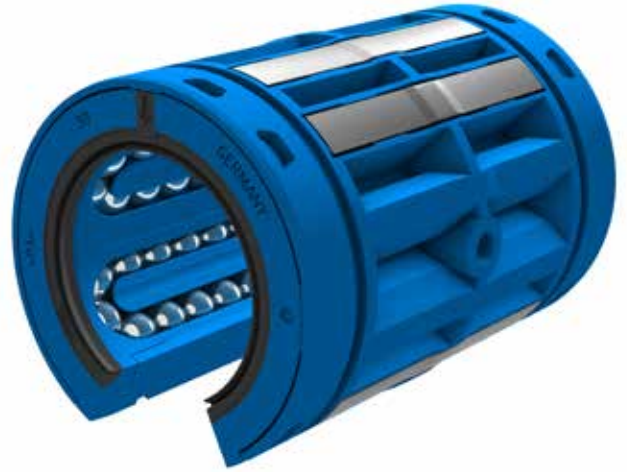
¹⁾ Basic load ratings are valid for bearing steel and stainless steel variants, but they must be reduced if stainless steel shafts are used

²⁾ To be used if the direction of max. load rating and the main load are not aligned

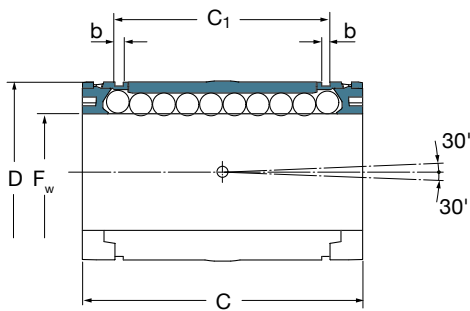
3.3.4 Standard linear ball bearings - LBCF

- Open design, self-aligning

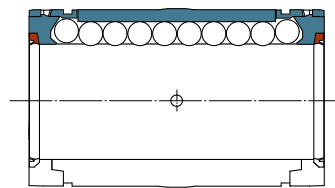
- Sizes from 12 mm to 50 mm
- Open design for long strokes together with supported shafts
- Possible tilting angle of ± 30 minutes of arc (self-aligning)
- Available in variants of 2 seals, 2 shields or seal and shield
- Available as bearing steel (standard) or stainless steel variant
- Factory pre-lubricated with SKF LGEP 2 grease, ready for use
- Clearance or preload determined by shaft and housing bore tolerance, adjustable in Ewellix units
- Suitable grease fittings for axial fixation are in **chapter 3.3.7**



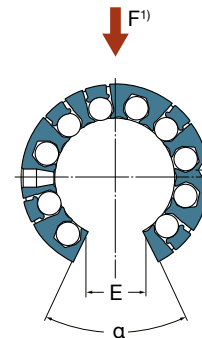
Pictured is LBCF 30 D-2LS ²⁾



Picture shows LBCF D with shields ²⁾



Picture shows LBCF D with 2 double lip seals ²⁾



| Dimensions | | | | | | | No. of ball rows |
|------------|----|-----|-------|-------|----------|----------|------------------|
| F_w | D | C | C_1 | b min | $E^{3)}$ | α | |
| mm | | | | | | Deg. | - |
| 12 | 22 | 32 | 22,6 | 1,3 | 8 | 78 | 4 |
| 16 | 26 | 36 | 24,6 | 1,3 | 10 | 78 | 4 |
| 20 | 32 | 45 | 31,2 | 1,6 | 11 | 60 | 5 |
| 25 | 40 | 58 | 43,7 | 1,85 | 13 | 60 | 5 |
| 30 | 47 | 68 | 51,7 | 1,85 | 14 | 50 | 5 |
| 40 | 62 | 80 | 60,3 | 2,15 | 19 | 50 | 5 |
| 50 | 75 | 100 | 78,5 | 2,65 | 23,6 | 50 | 6 |

¹⁾ Direction for max. load ratings
²⁾ Picture of non D-series bearing differs
³⁾ Minimum sector width at diameter F_w

LBCF

| Designations | | | Mass | Basic load ratings ¹⁾ | | | |
|-------------------------|-----------------------------|----------------------------|-------|----------------------------------|--------|-----------------------|-------|
| with shields | with 2 double lip seals | with 1 double lip seal | | dynamic C | max | static C ₀ | max |
| – | | | kg | min ²⁾ | | min ²⁾ | |
| LBCF 12 D | LBCF 12 D-2LS | LBCF 12 D-LS ⁿ⁾ | 0,016 | 600 | 1 080 | 415 | 850 |
| LBCF 16 D | LBCF 16 D-2LS | LBCF 16 D-LS ⁿ⁾ | 0,020 | 670 | 1 320 | 480 | 1 120 |
| LBCF 20 D | LBCF 20 D-2LS | LBCF 20 D-LS ⁿ⁾ | 0,045 | 1 460 | 2 500 | 915 | 1 830 |
| LBCF 25 D ^{u)} | LBCF 25 D-2LS ^{u)} | LBCF 25 D-LS ^{u)} | 0,088 | 2 280 | 3 900 | 1 220 | 2 450 |
| LBCF 30 D | LBCF 30 D-2LS | LBCF 30 D-LS ⁿ⁾ | 0,140 | 3 250 | 5 700 | 1 960 | 3 900 |
| LBCF 40 D ^{u)} | LBCF 40 D-2LS ^{u)} | LBCF 40 D-LS ^{u)} | 0,268 | 5 500 | 9 500 | 3 000 | 5 850 |
| LBCF 50 A | LBCF 50 A-2LS | LBCF 50 A-LS ⁿ⁾ | 0,37 | 4 900 | 11 200 | 3 000 | 6 950 |

LBCF in stainless steel

| Designations | | | Mass | Basic load ratings ¹⁾ | | | |
|-----------------------------|---------------------------------|--------------------------------|-------|----------------------------------|--------|-----------------------|-------|
| with shields | with 2 double lip seals | with 1 double lip seal | | dynamic C | max | static C ₀ | max |
| – | | | kg | min ²⁾ | | min ²⁾ | |
| LBCF 12 D/HV6 ⁿ⁾ | LBCF 12 D-2LS/HV6 ⁿ⁾ | LBCF 12 D-LS/HV6 ⁿ⁾ | 0,016 | 600 | 1080 | 415 | 850 |
| LBCF 16 D/HV6 ⁿ⁾ | LBCF 16 D-2LS/HV6 ⁿ⁾ | LBCF 16 D-LS/HV6 ⁿ⁾ | 0,020 | 670 | 1 320 | 480 | 1 120 |
| LBCF 20 D/HV6 ⁿ⁾ | LBCF 20 D-2LS/HV6 ⁿ⁾ | LBCF 20 D-LS/HV6 ⁿ⁾ | 0,045 | 1 460 | 2 500 | 915 | 1 830 |
| LBCF 25 D/HV6 ^{u)} | LBCF 25 D-2LS/HV6 ^{u)} | LBCF 25 D-LS/HV6 ^{u)} | 0,088 | 2 280 | 3 900 | 1 220 | 2 450 |
| LBCF 30 D/HV6 ⁿ⁾ | LBCF 30 D-2LS/HV6 ⁿ⁾ | LBCF 30 D-LS/HV6 ⁿ⁾ | 0,140 | 3 250 | 5 700 | 1 960 | 3 900 |
| LBCF 40 D/HV6 ^{u)} | LBCF 40 D-2LS/HV6 ^{u)} | LBCF 40 D-LS/HV6 ^{u)} | 0,268 | 5 500 | 9 500 | 3 000 | 5 850 |
| LBCF 50 A/HV6 ⁿ⁾ | LBCF 50 A-2LS/HV6 ⁿ⁾ | LBCF 50 A-LS/HV6 ⁿ⁾ | 0,37 | 4 900 | 11 200 | 3 000 | 6 950 |

Items without letter footnote are usually available from stock.

ⁿ⁾ Delivery time on request

^{u)} Delivery time usually 10 days for max. quantity of 4; larger quantities on request

^{u)} Size 25 available from Q1/2021; Size 40 under development; A-design linear ball bearings of both sizes are available until replacement

¹⁾ Basic load ratings are valid for bearing steel and stainless steel variants, but they must be reduced if stainless steel shafts are used

²⁾ To be used if the direction of max. load rating and the main load are not aligned

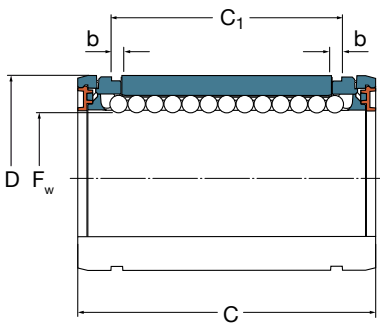
3.3.5 Standard linear ball bearings - LBHT

- Open design, heavy duty type

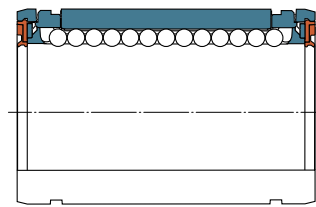
- Sizes from 20 mm to 50 mm
- Heavy duty type for maximum load ratings
- Open design for long strokes together with supported shafts
- Straight raceway design to support the high loads
- Available in variants of 2 seals, 2 shields or seal and shield
- Available as bearing steel (standard) or stainless-steel variant
- Factory pre-lubricated with SKF LGEP 2 grease, ready for use
- Clearance or preload determined by shaft and housing bore tolerance, adjustable in Ewellix units



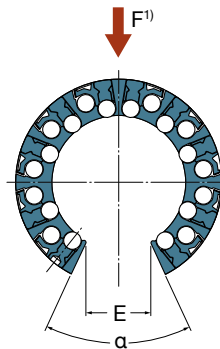
Pictured is LBHT 30 A-2LS



Picture shows LBHT with shields



Picture shows LBHT with 2 double lip seals



| Dimensions | | | | | | | No. of ball rows |
|-------------|----|-----|-------|-----------|----------|------------------|------------------|
| F_w mm | D | C | C_1 | b_{min} | $E^{2)}$ | α Deg. | - |
| 20 | 32 | 45 | 31,2 | 1,6 | 10,8 | 60 | 8 |
| 25 | 40 | 58 | 43,7 | 1,85 | 13,2 | 60 | 9 |
| 30 | 47 | 68 | 51,7 | 1,85 | 14,2 | 50 | 10 |
| 40 | 62 | 80 | 60,3 | 2,15 | 18,7 | 50 | 10 |
| 50 | 75 | 100 | 78,5 | 2,65 | 23,6 | 50 | 10 |

¹⁾ Direction for max. load ratings

²⁾ Minimum sector width at diameter F_w

LBHT

| Designations | | | Mass | Basic load ratings ¹⁾ | | | |
|-------------------------|-------------------------|----------------------------|-------|----------------------------------|--------|-----------------------|--------|
| with shields | with 2 double lip seals | with 1 double lip seal | | dynamic C | max | static C ₀ | max |
| – | | | kg | min ²⁾ | N | min ²⁾ | |
| LBHT 20 A ^{s)} | LBHT 20 A-2LS | LBHT 20 A-LS ⁿ⁾ | 0,043 | 1 460 | 2 650 | 1 430 | 2 650 |
| LBHT 25 A ^{s)} | LBHT 25 A-2LS | LBHT 25 A-LS ⁿ⁾ | 0,095 | 2 200 | 4 900 | 2 240 | 5 100 |
| LBHT 30 A ^{s)} | LBHT 30 A-2LS | LBHT 30 A-LS ⁿ⁾ | 0,16 | 4 250 | 7 200 | 4 300 | 8 000 |
| LBHT 40 A ^{s)} | LBHT 40 A-2LS | LBHT 40 A-LS ⁿ⁾ | 0,33 | 6 950 | 11 600 | 6 300 | 11 400 |
| LBHT 50 A ^{s)} | LBHT 50 A-2LS | LBHT 50 A-LS ⁿ⁾ | 0,56 | 10 200 | 17 300 | 9 300 | 17 000 |

LBHT in stainless steel

| Designations | | | Mass | Basic load ratings ¹⁾ | | | |
|-----------------------------|---------------------------------|--------------------------------|-------|----------------------------------|--------|-----------------------|--------|
| with shields | with 2 double lip seals | with 1 double lip seal | | dynamic C | max | static C ₀ | max |
| – | | | kg | min ²⁾ | N | min ²⁾ | |
| LBHT 20 A/HV6 ⁿ⁾ | LBHT 20 A-2LS/HV6 ⁿ⁾ | LBHT 20 A-LS/HV6 ⁿ⁾ | 0,043 | 1 460 | 2 650 | 1 430 | 2 650 |
| LBHT 25 A/HV6 ⁿ⁾ | LBHT 25 A-2LS/HV6 ⁿ⁾ | LBHT 25 A-LS/HV6 ⁿ⁾ | 0,095 | 2 200 | 4 900 | 2 240 | 5 100 |
| LBHT 30 A/HV6 ⁿ⁾ | LBHT 30 A-2LS/HV6 ⁿ⁾ | LBHT 30 A-LS/HV6 ⁿ⁾ | 0,16 | 4 250 | 7 200 | 4 300 | 8 000 |
| LBHT 40 A/HV6 ⁿ⁾ | LBHT 40 A-2LS/HV6 ⁿ⁾ | LBHT 40 A-LS/HV6 ⁿ⁾ | 0,33 | 6 950 | 11 600 | 6 300 | 11 400 |
| LBHT 50 A/HV6 ⁿ⁾ | LBHT 50 A-2LS/HV6 ⁿ⁾ | LBHT 50 A-LS/HV6 ⁿ⁾ | 0,56 | 10 200 | 17 300 | 9 300 | 17 000 |

Items without letter footnote are usually available from stock.

ⁿ⁾ Delivery time on request

^{s)} Delivery time usually 10 days for max. quantity of 4; larger quantities on request

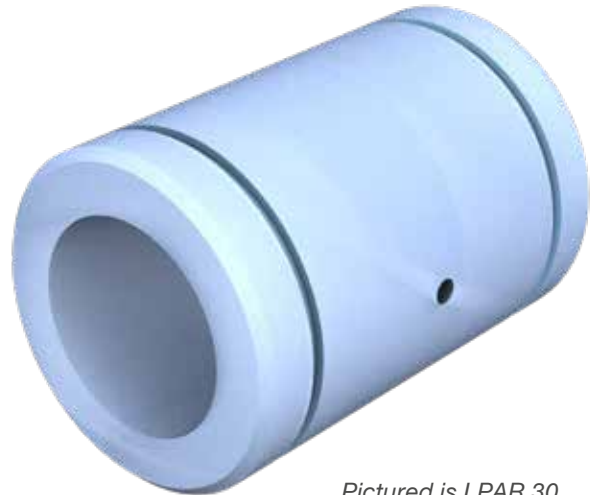
¹⁾ Basic load ratings are valid for bearing steel and stainless steel variants, but they must be reduced if stainless steel shafts are used

²⁾ To be used if the direction of max. load rating and the main load are not aligned

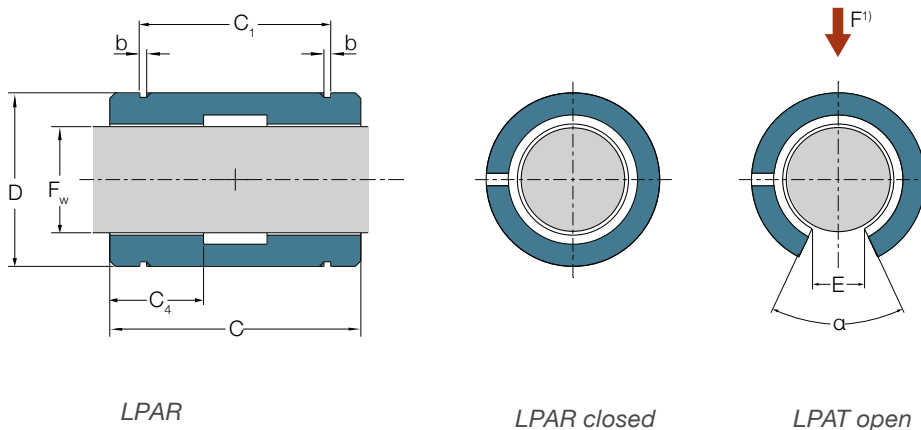
3.3.6 Standard linear plain bearings - LPAR/LPAT

- Closed and open design

- Sizes from 5 mm to 80 mm in closed design and from 12 mm to 80 mm in open design
- Dimensionally interchangeable with LBC linear bearings
- Self-lubricating material
- Equipped with lubrication hole
- Suitable grease fittings for axial fixation are in **chapter 3.3.7**



Pictured is LPAR 30



| Dimensions | | | | | | | |
|------------|------|-----|-------|------|-------|----------|----------|
| F_w | D | C | C_1 | b | C_4 | $E^{2)}$ | α |
| mm | -0,1 | | | min | | | Deg. |
| 5 | 12 | 22 | 14,2 | 1,1 | 8 | – | – |
| 8 | 16 | 25 | 16,2 | 1,1 | 9 | – | – |
| 12 | 22 | 32 | 22,6 | 1,3 | 11 | 7,6 | 78 |
| 16 | 26 | 36 | 24,6 | 1,3 | 13 | 10,4 | 78 |
| 20 | 32 | 45 | 31,2 | 1,6 | 17 | 10,8 | 60 |
| 25 | 40 | 58 | 43,7 | 1,85 | 22 | 13,2 | 60 |
| 30 | 47 | 68 | 51,7 | 1,85 | 25 | 14,2 | 50 |
| 40 | 62 | 80 | 60,3 | 2,15 | 27 | 18,7 | 50 |
| 50 | 75 | 100 | 77,3 | 2,65 | 32 | 23,6 | 50 |
| 60 | 90 | 125 | 101,3 | 3,15 | 40 | 29,6 | 54 |
| 80 | 120 | 165 | 133,3 | 4,15 | 52 | 38,4 | 54 |

¹⁾ Direction for max. load ratings

²⁾ Minimum sector width at diameter F_w

LPAR LPAT

| Designations | | Mass | | Basic load ratings | | |
|-------------------------|-----------------------|--------|-------|---------------------------------|----------|--------------------------|
| closed | open | closed | open | dynamic C at 0,1 m/s N | at 4 m/s | static C ₀ |
| – | | kg | | | | |
| LPAR 5 ^{s) 1)} | – | 0,003 | – | 320 | 8 | 1 120 |
| LPAR 8 ^{s) 1)} | – | 0,005 | – | 570 | 14 | 2 000 |
| LPAR 12 ^{s)} | LPAT 12 ^{s)} | 0,01 | 0,008 | 1 060 | 26 | 3 650 |
| LPAR 16 ^{s)} | LPAT 16 ^{s)} | 0,015 | 0,012 | 1 680 | 43 | 5 850 |
| LPAR 20 ^{s)} | LPAT 20 ^{s)} | 0,028 | 0,023 | 2 700 | 68 | 9 500 |
| LPAR 25 ^{s)} | LPAT 25 ^{s)} | 0,055 | 0,046 | 4 400 | 110 | 15 300 |
| LPAR 30 ^{s)} | LPAT 30 ^{s)} | 0,086 | 0,074 | 6 000 | 150 | 20 800 |
| LPAR 40 ^{s)} | LPAT 40 ^{s)} | 0,18 | 0,155 | 8 650 | 216 | 30 000 |
| LPAR 50 ^{s)} | LPAT 50 ^{s)} | 0,31 | 0,27 | 12 700 | 320 | 45 000 |
| LPAR 60 ^{s)} | LPAT 60 ^{s)} | 0,56 | 0,48 | 19 300 | 480 | 67 000 |
| LPAR 80 ^{s)} | LPAT 80 ^{s)} | 1,32 | 1,12 | 33 500 | 830 | 116 000 |

^{s)} Delivery time on request

^{s)} Delivery time usually 10 days for max. quantity of 4; larger quantities on request

¹⁾ Linear plain bearings LPAR 5 and LPAR 8 are without lubrication hole

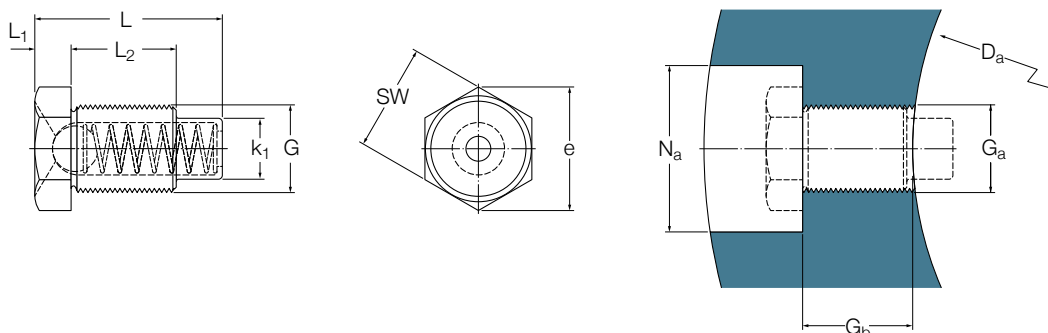
3.3.7 Grease fittings - VN-LHC

- For axial and radial fixation of LBC and LPA linear bearings inside units
- For easy and suitable bearing regreasing
- Funnel lubrication fitting according to DIN 3405
- For grease guns with pointed or pin-pointed nozzles



Pictured is VN-LHC40

Please find appropriate grease fittings per bearing size in table below. For more details about axial and rotational fixation, please see **chapter 4.1.4**.



| Dimensions | | | | | | | | Designations Grease fitting | Recommended attachment dimensions | | | | |
|------------------|---------------------|------|-------|-------|-------|------|----|--------------------------------|-----------------------------------|---------------------|---------------------|----|-------------------------------------|
| Bearing F_w | Grease fitting G | L | L_1 | L_2 | k_1 | e | SW | | Housings | | | | Recommended tightening torque Nm |
| mm | - | mm | | | | | | D_a | G_a | $G_b \pm 0,2$ mm | N_a ¹⁾ | | |
| 12 | M4 | 7,7 | 1,5 | 3,5 | 3 | 5,5 | 5 | VN-LHC 20 | 22 | M4 | 3,8 | 13 | 1,0 |
| 16 | M4 | 7,7 | 1,5 | 3,5 | 3 | 5,5 | 5 | VN-LHC 20 | 26 | M4 | 3,8 | 13 | 1,0 |
| 20 | M4 | 7,7 | 1,5 | 3,5 | 3 | 5,5 | 5 | VN-LHC 20 | 32 | M4 | 3,8 | 13 | 1,0 |
| 25 | M5 | 11,1 | 2 | 5 | 3,5 | 6,6 | 6 | VN-LHC 40 | 40 | M5 | 5,2 | 15 | 2,2 |
| 30 | M5 | 11,1 | 2 | 5 | 3,5 | 6,6 | 6 | VN-LHC 40 | 47 | M5 | 5,2 | 15 | 2,2 |
| 40 | M5 | 11,1 | 2 | 5 | 3,5 | 6,6 | 6 | VN-LHC 40 | 62 | M5 | 5,2 | 15 | 2,2 |
| 50 | M6 | 14,8 | 2,5 | 7 | 4,5 | 7,8 | 7 | VN-LHC 50 | 75 | M6 | 7,2 | 15 | 3,7 |
| 60 | M8 | 20,5 | 3,5 | 10,5 | 6 | 11,1 | 10 | VN-LHC 80 | 90 | M8 | 11,2 | 18 | 9,3 |
| 80 | M8 | 20,5 | 3,5 | 10,5 | 6 | 11,1 | 10 | VN-LHC 80 | 120 | M8 | 5,2 | 18 | 9,3 |

Items are usually available from stock.

¹⁾The bore diameter N_a of LUC and LUN housings in size 12,16 and 20 differs

3.4 Standard linear units

For flexible slide design, a comprehensive range of single linear bearing units is available. If flexible shaft width and slide length is required, they are the best choice for the application. An easier slide setup can be reached with tandem units with two bearings and quadro units with four bearings. To support different mounting possibilities, a flanged unit is available as well. All units are factory pre-greased and ready for immediate use. Ewellix offers units with die-cast housings LUC and housings LUN. All open and closed units except the flanged ones are made from aluminium. The high precision unit design is optimised to provide high strength and rigidity. The Ewellix LUC unit type is extremely lightweight and keeps acceleration and inertia forces at a minimum. For applications that require preload, slotted units are offered. Open type single bearing units have adjustable preload functionality.

Depending on the diameter, units in closed and open design are equipped with linear bearings from A- or D-design linear ball bearings. The housing design of open single units differs from A- to D-design. If the adjustable preload function of an open unit is used, an A-design bearing cannot be replaced by a D-design bearing.

For the utmost flexibility in design, the following variants can be chosen with all units: sealed or shielded, standard steel or stainless linear ball bearing, or plain bearing.

Each linear bearing unit is explained on the next pages with details about product data and designations.

For more information on shaft blocks or shaft supports, please see **chapter 3.6**.



LUCR/LUCD



Standard LUCR/LUCD linear units offer flexible design options to create economical linear slide systems. They are extremely lightweight and a perfect fit for low inertia and high acceleration. LUCR units from size 8 mm to 80 mm are equipped with rigid LBCR linear ball bearings or plain bearings, while LUCD units from size 12 mm to 50 mm are supplied with self-aligning LBCD linear ball bearings. All units are factory pre-greased and can be relubricated if necessary via the grease fitting. The grease fitting is also used for the fixation of the bearing in the housing. Exception is the size 8 mm unit, as it has bearings axially fixed with retaining rings.

LUCS/LUCE



Standard LUCS/LUCE linear units have a similar design as LUCR/LUCD units. They offer adjustable clearance or preload of the units via the slotted housing functionality. Please use the clearance adjustment carefully as it has an impact on service life. LUCS units from size 8 mm to 80 mm are equipped with rigid LBCR linear ball bearings or plain bearings, while LUCE units from size 12 mm to 50 mm are supplied with self-aligning LBCD linear ball bearings. All units are factory pre-greased and can be relubricated if necessary via the grease fitting. The grease fitting is also used for the fixation of the bearing in the housing. Exception is the size 8 mm unit as it has bearings axially fixed with retaining rings.

LUCT/LUCF



Standard LUCT/LUCF linear units have an open design and are made for applications with heavy loads and long travel distances. LUCT units from size 12 mm to 80 mm are equipped with rigid LBCT linear ball bearings or plain bearings, while LUCF units from size 12 mm to 50 mm are supplied with self-aligning LBCF linear ball bearings. All units are factory pre-greased and can be relubricated if necessary via the grease fitting. The grease fitting is also used for the fixation of the bearing in the housing. In addition, the clearance can be adjusted via the internal hexagon screw close to the opening of the housing.

LUCT BH



For maximum load rating, the open LUCT BH unit is equipped with the heavy duty type LBHT bearing. The LBHT bearing is equipped with the maximum number of raceway plates to reach the highest load ratings per size. These units from size 20 mm to 50 mm are factory pre-greased and can be relubricated if necessary using the grease fitting. The fixation of the bearing inside the housing is done by an internal hexagon screw.

LUN

Standard units in LUN design differ from the die-cast LUC linear bearing units which are made out of aluminium. The units can be bolted from both sides with appropriate screws. LUN units cover the linear bearing for its entire length by the housing. The LUN types are available in closed, slotted and open design. LUN units from 12 mm to 50 mm are equipped either with rigid linear ball bearings LBCR/LBCT, self-aligning bearings LBCD/LBCF or with plain bearings. They are factory pre-greased and can be relubricated if necessary via the grease fitting, which also keeps the bearing in axial and radial position. The slotted design offers adjustable clearance or preload of the units.

LVCR/LVCD

For flexible mounting purposes, the flanged linear bearing units are part of our range. The closed flange housing is made from cast iron. LVCR flanged units from size 12 mm to 80 mm are fitted with a rigid LBCR linear bearing or plain bearing, while LVCD flanged units from size 12 mm to 50 mm are equipped with self-aligning LBCD linear ball bearings. The bearings are axially located by a dowel pin. The flange is machined on both faces to enable mounting on the front or rear side in either direction. Flanged linear bearing units are factory pre-lubricated and are not made for relubrication.

LTC

Tandem linear units LTC consist of a solid aluminium housing with two linear ball bearings mounted one behind the other. Tandem linear units are a perfect fit for linear guiding systems of any required width. The units can be attached to a supporting surface from both sides using the appropriate screws and are available in closed and open design. The LTC units from size 12 mm to 50 mm are equipped either with rigid linear ball bearings LBCR/LBCT, self-aligning bearings LBCD/LBCF or with plain bearings. Tandem units are factory pre-greased and can be relubricated if necessary via the grease fitting, which also keeps the bearing in axial and radial position.

LQC

Quadro linear units LQC are linear slides ready to use with Ewellix shafts and shaft blocks. They consist of a one-piece aluminium housing with two parallel rows of two linear ball bearings. Quadro units can be attached to a supporting surface from both sides using the appropriate screws and are available in open and closed design. The LQC units from size 12 mm to 50 mm are equipped either with rigid linear ball bearings LBCR/LBCT, self-aligning bearings LBCD/LBCF or with plain bearings. Quadro units are factory pre-greased and can be relubricated if necessary via the grease fitting, which also keeps the bearing in axial and radial position. LQC in size 8 mm cannot be relubricated and can only be equipped with LBCR linear bearings and plain bearings.

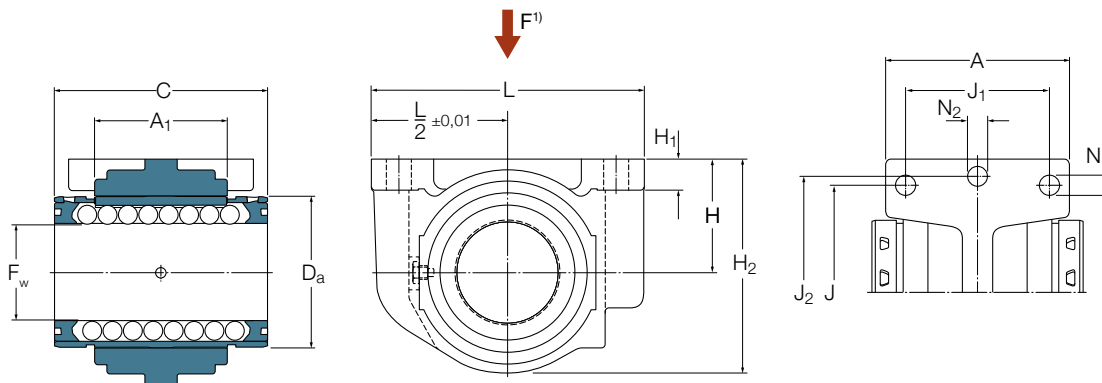
3.4.1 Standard linear units - LUCR/LUCD

- LUCR with rigid LBCR bearing
 - LUCD with self-aligning LBCD bearing
 - LUCR PA with LPAR linear plain bearing
- Closed design in sizes from 8 mm to 80 mm
 - Lightweight die-cast aluminium housing
 - Available in variants of 2 seals or 2 shields
 - Available as bearing steel (standard) or stainless steel variant
 - Factory pre-lubricated with SKF LGEP 2 grease, ready for use
 - Equipped with grease fitting
 - Able to bolt from top or bottom side

Please find suitable shaft blocks or shaft supports in **chapter 3.6** and shafts in **chapter 3.7**



Pictured is LUCD 30 D-2LS ²⁾



Picture shows LUCD D with shields ²⁾

Dimensions

| F_w | A | A_1 | C | D_a | $H_{\pm 0,01}$ | H_1 | H_2 | J | J_1 | J_2 | $L^{3)}$ | $N^{4)}$ | $N_2^{4)}$ |
|-------|-----|-------|-----|-------|----------------|-------|-------|-----|-------|-------|----------|----------|------------|
| mm | | | | | | | | | | | | | |
| 8 | 27 | 14 | 25 | 16 | 15 | 5,5 | 28 | 25 | 20 | 35 | 45 | 3,2 | 5,3 |
| 12 | 31 | 20 | 32 | 22 | 18 | 6 | 34,5 | 32 | 23 | 42 | 52 | 4,3 | 5,3 |
| 16 | 35 | 22 | 36 | 26 | 22 | 7 | 40,5 | 40 | 26 | 46 | 56 | 4,3 | 5,3 |
| 20 | 41 | 28 | 45 | 32 | 25 | 8 | 48 | 45 | 32 | 58 | 70 | 4,3 | 6,4 |
| 25 | 52 | 40 | 58 | 40 | 30 | 10 | 58 | 60 | 40 | 68 | 80 | 5,3 | 6,4 |
| 30 | 59 | 48 | 68 | 47 | 35 | 10 | 67 | 68 | 45 | 76 | 88 | 6,4 | 6,4 |
| 40 | 74 | 56 | 80 | 62 | 45 | 12 | 85 | 86 | 58 | 94 | 108 | 8,4 | 8,4 |
| 50 | 66 | 72 | 100 | 75 | 50 | 14 | 99 | 108 | 50 | 116 | 135 | 8,4 | 10,5 |
| 60 | 84 | 95 | 125 | 90 | 60 | 18 | 118 | 132 | 65 | 138 | 160 | 10,5 | 13 |
| 80 | 113 | 125 | 165 | 120 | 80 | 22 | 158 | 170 | 90 | 180 | 205 | 13 | 13 |

¹⁾ Direction for max. load ratings

²⁾ Picture with non D-series bearing or plain bearing differs

³⁾ For units from size 50 to 80: Tolerance $L/2 \pm 0,02$

⁴⁾ For cylinder head screws with internal hexagon according to ISO 4762

LUCR

| Designations | | | | Mass kg | Basic load ratings ¹⁾ | | | |
|-------------------------------------|-----------------------------|---|----------------------------------|------------|----------------------------------|--------|--------------------------|--------|
| LBCR bearing inside with shields | | Stainless steel variant of LBCR bearing inside with 2 double lip seals | | | dynamic C | | static C ₀ | |
| - | | - | | min | | max | | |
| LUCR 8 ^{2) s)} | LUCR 8-2LS ^{2) s)} | LUCR 8/HV6 ^{2) n)} | LUCR 8 -2LS/HV6 ^{n) 2)} | 0,027 | 490 | 570 | 355 | 500 |
| LUCR 12 D ^{s)} | LUCR 12 D-2LS | LUCR 12 D/HV6 ⁿ⁾ | LUCR 12 D-2LS/HV6 ⁿ⁾ | 0,058 | 930 | 1 370 | 695 | 1 120 |
| LUCR 16 D ^{s)} | LUCR 16 D-2LS | LUCR 16 D/HV6 ⁿ⁾ | LUCR 16 D-2LS/HV6 ⁿ⁾ | 0,076 | 1 080 | 1 600 | 800 | 1 290 |
| LUCR 20 D ^{s)} | LUCR 20 D-2LS | LUCR 20 D/HV6 ⁿ⁾ | LUCR 20 D-2LS/HV6 ⁿ⁾ | 0,157 | 2 200 | 3 250 | 1 630 | 2 650 |
| LUCR 25 D ^{s)} | LUCR 25 D-2LS | LUCR 25 D/HV6 ⁿ⁾ | LUCR 25 D-2LS/HV6 ⁿ⁾ | 0,308 | 3 100 | 4 550 | 2 360 | 3 800 |
| LUCR 30 D ^{s)} | LUCR 30 D-2LS | LUCR 30 D/HV6 ⁿ⁾ | LUCR 30 D-2LS/HV6 ⁿ⁾ | 0,450 | 4 800 | 7 100 | 3 550 | 5 700 |
| LUCR 40 D ^{s)} | LUCR 40 D-2LS | LUCR 40 D/HV6 ⁿ⁾ | LUCR 40 D-2LS/HV6 ⁿ⁾ | 0,799 | 7 650 | 11 200 | 5 100 | 8 300 |
| LUCR 50 ^{s)} | LUCR 50-2LS | LUCR 50/HV6 ⁿ⁾ | LUCR 50-2LS/HV6 ⁿ⁾ | 1,215 | 9 650 | 13 400 | 7 200 | 12 200 |
| LUCR 60 ^{s)} | LUCR 60-2LS ^{s)} | LUCR 60/HV6 ⁿ⁾ | LUCR 60-2LS/HV6 ⁿ⁾ | 2,160 | 14 600 | 20 400 | 11 200 | 18 000 |
| LUCR 80 ^{s)} | LUCR 80-2LS ^{s)} | LUCR 80/HV6 ⁿ⁾ | LUCR 80-2LS/HV6 ⁿ⁾ | 5,155 | 26 500 | 37 500 | 19 600 | 32 000 |

LUCD

| Designations | | | | Mass kg | Basic load ratings ¹⁾ | | | |
|---|---------------|--|---------------------------------|------------|----------------------------------|--------|--------------------------|-------|
| Self-aligning LBCD bearing inside with shields | | Stainless steel variant of self-aligning LBCD bearing inside with 2 double lip seals | | | dynamic C | | static C ₀ | |
| - | | - | | min | | max | | |
| LUCD 12 D ^{s)} | LUCD 12 D-2LS | LUCD 12 D/HV6 ⁿ⁾ | LUCD 12 D-2LS/HV6 ⁿ⁾ | 0,058 | 800 | 1 220 | 570 | 930 |
| LUCD 16 D ^{s)} | LUCD 16 D-2LS | LUCD 16 D/HV6 ⁿ⁾ | LUCD 16 D-2LS/HV6 ⁿ⁾ | 0,075 | 950 | 1 400 | 655 | 1 060 |
| LUCD 20 D ^{s)} | LUCD 20 D-2LS | LUCD 20 D/HV6 ⁿ⁾ | LUCD 20 D-2LS/HV6 ⁿ⁾ | 0,156 | 1 730 | 2 550 | 1 120 | 1 800 |
| LUCD 25 D ^{s)} | LUCD 25 D-2LS | LUCD 25 D/HV6 ⁿ⁾ | LUCD 25 D-2LS/HV6 ⁿ⁾ | 0,306 | 2 600 | 3 800 | 1 430 | 2 320 |
| LUCD 30 D ^{s)} | LUCD 30 D-2LS | LUCD 30 D/HV6 ⁿ⁾ | LUCD 30 D-2LS/HV6 ⁿ⁾ | 0,448 | 3 800 | 5 600 | 2 320 | 3 750 |
| LUCD 40 D ^{s)} | LUCD 40 D-2LS | LUCD 40 D/HV6 ⁿ⁾ | LUCD 40 D-2LS/HV6 ⁿ⁾ | 0,792 | 6 550 | 9 650 | 3 350 | 5 700 |
| LUCD 50 ^{s)} | LUCD 50-2LS | LUCD 50/HV6 ⁿ⁾ | LUCD 50-2LS/HV6 ⁿ⁾ | 1,195 | 8 000 | 11 200 | 4 150 | 6 950 |

LUCR PA

| Designations | Mass kg | Basic load ratings | | static ³⁾ C ₀ |
|----------------------------|------------|----------------------------|----------|--|
| | | dynamic C at 0,1 m/s | at 4 m/s | |
| LUCR 8 PA ^{n) 2)} | 0,023 | 570 | 14 | 2 000 |
| LUCR 12 PA ⁿ⁾ | 0,048 | 1 060 | 26 | 3 650 |
| LUCR 16 PA ⁿ⁾ | 0,065 | 1 680 | 43 | 5 850 |
| LUCR 20 PA ⁿ⁾ | 0,129 | 2 700 | 68 | 9 500 |
| LUCR 25 PA ⁿ⁾ | 0,255 | 4 400 | 110 | 15 300 |
| LUCR 30 PA ⁿ⁾ | 0,368 | 6 000 | 150 | 20 800 |
| LUCR 40 PA ⁿ⁾ | 0,656 | 8 650 | 216 | 30 000 |
| LUCR 50 PA ⁿ⁾ | 1,065 | 12 700 | 320 | 45 000 |
| LUCR 60 PA ⁿ⁾ | 1,900 | 19 300 | 480 | 67 000 |
| LUCR 80 PA ⁿ⁾ | 4,575 | 33 500 | 830 | 116 000 |

Items without letter footnote are usually available from stock.

²⁾ Delivery time on request

³⁾ Delivery time usually 10 days for max. quantity of 4; larger quantities on request

¹⁾ Basic load ratings are valid for bearing steel and stainless steel variants, but they must be reduced if stainless steel shafts are used

²⁾ Linear bearings fitted to these units are secured with retaining rings according to DIN 471, cannot be relubricated and are not self-aligning

³⁾ Valid if the loads on the housing are exclusively in direction of red arrow. See dimensional drawing on left page

3.4.2 Standard linear units - LUCS/LUCE

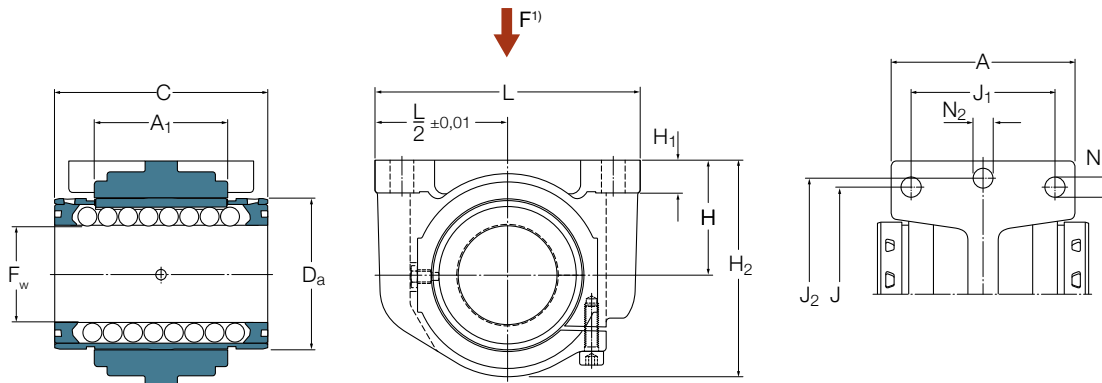
- LUCS with rigid LBCR bearing
- LUCE with self-aligning LBCD bearing

- Slotted design for adjustable clearance in sizes from 8 mm to 80 mm
- Lightweight die-cast aluminium housing
- Available in variants of 2 seals or 2 shields
- Available as bearing steel (standard) or stainless steel variant
- Factory pre-lubricated with SKF LGEP 2 grease, ready for use
- Equipped with grease fitting
- Able to bolt from top or bottom side

Please find suitable shaft blocks or shaft supports in **chapter 3.6** and shafts in **chapter 3.7**



Pictured is LUCE 30 D-2LS ²⁾



Picture shows LUCE D with shields ²⁾

| Dimensions | | | | | | | | | | | | | |
|------------|------|-------|-----|-------|----------------|-------|-------|-----|-------|-------|----------|----------|------------|
| F_w | A | A_1 | C | D_a | $H_{\pm 0,01}$ | H_1 | H_2 | J | J_1 | J_2 | $L^{3)}$ | $N^{4)}$ | $N_2^{4)}$ |
| mm | | | | | | | | | | | | | |
| 8 | 27 | 14 | 25 | 16 | 15 | 5,5 | 28 | 25 | 20 | 35 | 45 | 3,2 | 5,3 |
| 12 | 31 | 20 | 32 | 22 | 18 | 6 | 34,5 | 32 | 23 | 42 | 52 | 4,3 | 5,3 |
| 16 | 34,5 | 22 | 36 | 26 | 22 | 7 | 40,5 | 40 | 26 | 46 | 56 | 4,3 | 5,3 |
| 20 | 41 | 28 | 45 | 32 | 25 | 8 | 48 | 45 | 32 | 58 | 70 | 4,3 | 6,4 |
| 25 | 52 | 40 | 58 | 40 | 30 | 10 | 58 | 60 | 40 | 68 | 80 | 5,3 | 6,4 |
| 30 | 59 | 48 | 68 | 47 | 35 | 10 | 67 | 68 | 45 | 76 | 88 | 6,4 | 6,4 |
| 40 | 74 | 56 | 80 | 62 | 45 | 12 | 85 | 86 | 58 | 94 | 108 | 8,4 | 8,4 |
| 50 | 66 | 72 | 100 | 75 | 50 | 14 | 99 | 108 | 50 | 116 | 135 | 8,4 | 10,5 |
| 60 | 84 | 95 | 125 | 90 | 60 | 18 | 118 | 132 | 65 | 138 | 160 | 10,5 | 13 |
| 80 | 113 | 125 | 165 | 120 | 80 | 22 | 158 | 170 | 90 | 180 | 205 | 13 | 13 |

¹⁾ Direction for max. load ratings

²⁾ Picture with non D-series bearing or plain bearing differs

³⁾ For units from size 50 to 80: Tolerance $L/2 \pm 0,02$

⁴⁾ For cylinder head screws with internal hexagon according to ISO 4762

LUCS

| Designations | | | | Mass kg | Basic load ratings ¹⁾ | | | |
|-------------------------------------|-----------------------------|---|---------------------------------|------------|----------------------------------|--------|--------------------------|--------|
| LBCR bearing inside with shields | | Stainless steel variant of LBCR bearing inside with 2 double lip seals | | | dynamic C | | static C ₀ | |
| - | | - | | min | | max | | |
| LUCS 8 ^{2) s)} | LUCS 8-2LS ^{2) s)} | LUCS 8/HV6 ^{2) n)} | LUCS 8-2LS/HV6 ^{2) n)} | 0,028 | 490 | 570 | 355 | 500 |
| LUCS 12 D ^{s)} | LUCS 12 D-2LS ^{s)} | LUCS 12 D/HV6 ⁿ⁾ | LUCS 12 D-2LS/HV6 ⁿ⁾ | 0,058 | 930 | 1 370 | 695 | 1 120 |
| LUCS 16 D ^{s)} | LUCS 16 D-2LS ^{s)} | LUCS 16 D/HV6 ⁿ⁾ | LUCS 16 D-2LS/HV6 ⁿ⁾ | 0,077 | 1 080 | 1 600 | 800 | 1 290 |
| LUCS 20 D ^{s)} | LUCS 20 D-2LS ^{s)} | LUCS 20 D/HV6 ⁿ⁾ | LUCS 20 D-2LS/HV6 ⁿ⁾ | 0,160 | 2 200 | 3 250 | 1 630 | 2 650 |
| LUCS 25 D ^{s)} | LUCS 25 D-2LS ^{s)} | LUCS 25 D/HV6 ⁿ⁾ | LUCS 25 D-2LS/HV6 ⁿ⁾ | 0,310 | 3 100 | 4 550 | 2 360 | 3 800 |
| LUCS 30 D ^{s)} | LUCS 30 D-2LS ^{s)} | LUCS 30 D/HV6 ⁿ⁾ | LUCS 30 D-2LS/HV6 ⁿ⁾ | 0,452 | 4 800 | 7 100 | 3 550 | 5 700 |
| LUCS 40 D ^{s)} | LUCS 40 D-2LS ^{s)} | LUCS 40 D/HV6 ⁿ⁾ | LUCS 40 D-2LS/HV6 ⁿ⁾ | 0,795 | 7 650 | 11 200 | 5 100 | 8 300 |
| LUCS 50 ^{s)} | LUCS 50-2LS ^{s)} | LUCS 50/HV6 ⁿ⁾ | LUCS 50-2LS/HV6 ⁿ⁾ | 1,217 | 9 650 | 11 200 | 7 200 | 12 200 |
| LUCS 60 ^{s)} | LUCS 60-2LS ^{s)} | LUCS 60/HV6 ⁿ⁾ | LUCS 60-2LS/HV6 ⁿ⁾ | 2,191 | 14 600 | 20 400 | 11 200 | 18 000 |
| LUCS 80 ^{s)} | LUCS 80-2LS ^{s)} | LUCS 80/HV6 ⁿ⁾ | LUCS 80-2LS/HV6 ⁿ⁾ | 5,110 | 26 500 | 37 500 | 19 600 | 32 000 |

LUCE

| Designations | | | | Mass kg | Basic load ratings ¹⁾ | | | |
|---|-----------------------------|--|---------------------------------|------------|----------------------------------|--------|--------------------------|-------|
| Self-aligning LBCD bearing inside with shields | | Stainless steel variant of self-aligning LBCD bearing inside with 2 double lip seals | | | dynamic C | | static C ₀ | |
| - | | - | | min | | max | | |
| LUCE 12 D ^{s)} | LUCE 12 D-2LS ^{s)} | LUCE 12 D/HV6 ⁿ⁾ | LUCE 12 D-2LS/HV6 ⁿ⁾ | 0,058 | 800 | 1 220 | 570 | 930 |
| LUCE 16 D ^{s)} | LUCE 16 D-2LS ^{s)} | LUCE 16 D/HV6 ⁿ⁾ | LUCE 16 D-2LS/HV6 ⁿ⁾ | 0,076 | 950 | 1 400 | 655 | 1 060 |
| LUCE 20 D ^{s)} | LUCE 20 D-2LS ^{s)} | LUCE 20 D/HV6 ⁿ⁾ | LUCE 20 D-2LS/HV6 ⁿ⁾ | 0,159 | 1 730 | 2 550 | 1 120 | 1 800 |
| LUCE 25 D ^{s)} | LUCE 25 D-2LS ^{s)} | LUCE 25 D/HV6 ⁿ⁾ | LUCE 25 D-2LS/HV6 ⁿ⁾ | 0,308 | 2 600 | 3 800 | 1 430 | 2 320 |
| LUCE 30 D ^{s)} | LUCE 30 D-2LS ^{s)} | LUCE 30 D/HV6 ⁿ⁾ | LUCE 30 D-2LS/HV6 ⁿ⁾ | 0,450 | 3 800 | 5 600 | 2 320 | 3 750 |
| LUCE 40 D ^{s)} | LUCE 40 D-2LS ^{s)} | LUCE 40 D/HV6 ⁿ⁾ | LUCE 40 D-2LS/HV6 ⁿ⁾ | 0,788 | 6 550 | 9 650 | 3 350 | 5 700 |
| LUCE 50 ^{s)} | LUCE 50-2LS ^{s)} | LUCE 50/HV6 ⁿ⁾ | LUCE 50-2LS/HV6 ⁿ⁾ | 1,197 | 8 000 | 11 200 | 4 150 | 6 950 |

²⁾ Delivery time on request³⁾ Delivery time usually 10 days for max. quantity of 4; larger quantities on request¹⁾ Basic load ratings are valid for bearing steel and stainless steel variants, but they must be reduced if stainless steel shafts are used²⁾ Linear ball bearings fitted to these units are secured with retaining rings according to DIN 471, cannot be relubricated and are not self-aligning

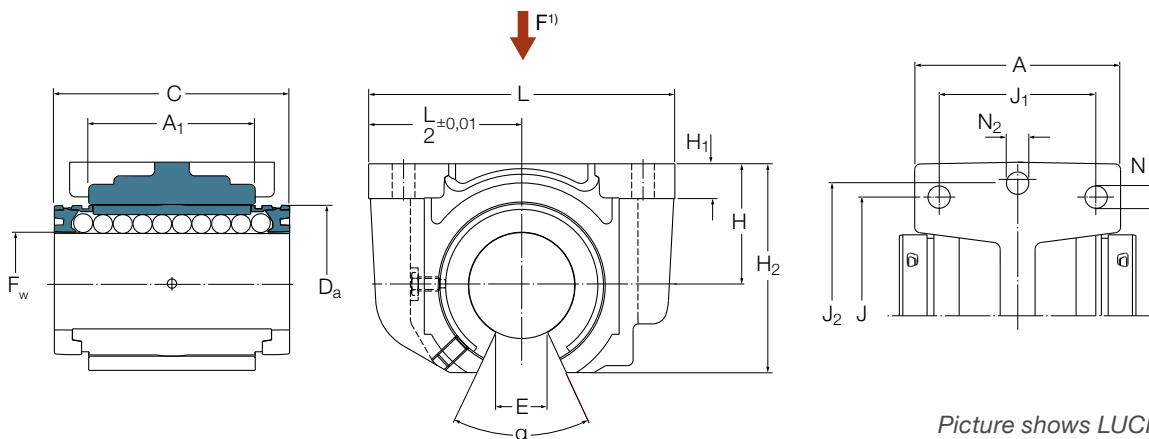
3.4.3 Standard linear units - LUCT/LUCF

- LUCT with rigid LBCT bearing
 - LUCF with self-aligning LBCF bearing
 - LUCT PA with LPAT linear plain bearing
- Open design in sizes from 12 mm to 80 mm with adjustable clearance
 - Lightweight die-cast aluminium housing
 - Available in variants of 2 seals or 2 shields
 - Available as bearing steel (standard) or stainless steel variant
 - Factory pre-lubricated with SKF LGEP 2 grease, ready for use
 - Equipped with grease fitting
 - Able to bolt from top or bottom side

Please find suitable shaft blocks or shaft supports in **chapter 3.6** and shafts in **chapter 3.7**



Pictured is LUCF 30 D-2LS ²⁾



Picture shows LUCF D with shields ²⁾

Dimensions

| F_w | A | A_1 | C | D_a | $H_{\pm 0,01}$ | H_1 | H_2 | J | J_1 | J_2 | $L^{3)}$ | $N^{4)}$ | $N_2^{4)}$ | $E^{5)}$ | α |
|-------|------|-------|-----|-------|----------------|-------|-------|-----|-------|-------|----------|----------|------------|----------|----------|
| mm | | | | | | | | | | | | | | | Deg. |
| 12 | 31 | 20 | 32 | 22 | 18 | 6 | 28 | 32 | 23 | 42 | 52 | 4,3 | 5,3 | 8 | 78 |
| 16 | 34,5 | 22 | 36 | 26 | 22 | 7 | 35 | 40 | 26 | 46 | 56 | 4,3 | 5,3 | 10 | 78 |
| 20 | 41 | 28 | 45 | 32 | 25 | 8 | 42 | 45 | 32 | 58 | 70 | 4,3 | 6,4 | 11 | 60 |
| 25 | 52 | 40 | 58 | 40 | 30 | 10 | 51 | 60 | 40 | 68 | 80 | 5,3 | 6,4 | 13 | 60 |
| 30 | 59 | 48 | 68 | 47 | 35 | 10 | 60 | 68 | 45 | 76 | 88 | 6,4 | 6,4 | 14 | 50 |
| 40 | 74 | 56 | 80 | 62 | 45 | 12 | 77 | 86 | 58 | 94 | 108 | 8,4 | 8,4 | 19 | 50 |
| 50 | 66 | 72 | 100 | 75 | 50 | 14 | 88 | 108 | 50 | 116 | 135 | 8,4 | 10,5 | 23,6 | 50 |
| 60 | 84 | 95 | 125 | 90 | 60 | 18 | 105 | 132 | 65 | 138 | 160 | 10,5 | 13,0 | 29,6 | 54 |
| 80 | 113 | 125 | 165 | 120 | 80 | 22 | 140 | 170 | 90 | 180 | 205 | 13,0 | 13,0 | 38,4 | 54 |

¹⁾ Direction for max. load ratings

²⁾ Picture with non D-series bearing or plain bearing differs

³⁾ For units from size 50 to 80: Tolerance $L/2 \pm 0,02$

⁴⁾ For cylinder head screws with internal hexagon according to ISO 4762

⁵⁾ Minimum sector width at diameter F_w

LUCT

| Designations | | | | Mass | Basic load ratings ¹⁾ | | | |
|-------------------------|-----------------------------|--|---------------------------------|-------|----------------------------------|-----------------------|--------|--------|
| LBCT bearing inside | | Stainless steel variant of LBCT bearing inside | | | dynamic C | static C ₀ | | |
| with shields | with 2 double lip seals | with shields | with 2 double lip seals | kg | min | max | min | max |
| – | – | – | – | | N | – | – | – |
| LUCT 12 D ^{s)} | LUCT 12 D-2LS | LUCT 12 D/HV6 ⁿ⁾ | LUCT 12 D-2LS/HV6 ⁿ⁾ | 0,050 | 695 | 1 220 | 510 | 1 020 |
| LUCT 16 D ^{s)} | LUCT 16 D-2LS | LUCT 16 D/HV6 ⁿ⁾ | LUCT 16 D-2LS/HV6 ⁿ⁾ | 0,065 | 765 | 1 500 | 585 | 1 370 |
| LUCT 20 D ^{s)} | LUCT 20 D-2LS | LUCT 20 D/HV6 ⁿ⁾ | LUCT 20 D-2LS/HV6 ⁿ⁾ | 0,138 | 1 860 | 3 200 | 1 340 | 2 700 |
| LUCT 25 D ^{u)} | LUCT 25 D-2LS ^{u)} | LUCT 25 D/HV6 ^{u)} | LUCT 25 D-2LS/HV6 ^{u)} | 0,269 | 2 700 | 4 650 | 2 000 | 4 000 |
| LUCT 30 D ^{s)} | LUCT 30 D-2LS | LUCT 30 D/HV6 ⁿ⁾ | LUCT 30 D-2LS/HV6 ⁿ⁾ | 0,396 | 4 150 | 7 200 | 3 000 | 6 000 |
| LUCT 40 D ^{u)} | LUCT 40 D-2LS ^{u)} | LUCT 40 D/HV6 ^{u)} | LUCT 40 D-2LS/HV6 ^{u)} | 0,681 | 6 400 | 11000 | 4 250 | 8 500 |
| LUCT 50 ^{s)} | LUCT 50-2LS | LUCT 50/HV6 ⁿ⁾ | LUCT 50-2LS/HV6 ⁿ⁾ | 1,055 | 5 850 | 13 400 | 5 300 | 12 200 |
| LUCT 60 ^{s)} | LUCT 60-2LS ^{s)} | LUCT 60/HV6 ⁿ⁾ | LUCT 60-2LS/HV6 ⁿ⁾ | 1,903 | 8 650 | 20 400 | 8 000 | 18 000 |
| LUCT 80 ^{s)} | LUCT 80-2LS ^{s)} | LUCT 80/HV6 ⁿ⁾ | LUCT 80-2LS/HV6 ⁿ⁾ | 4,531 | 16 000 | 37 500 | 14 000 | 32 000 |

LUCF

| Designations | | | | Mass | Basic load ratings ¹⁾ | | | |
|-----------------------------------|-----------------------------|--|---------------------------------|-------|----------------------------------|-----------------------|-------|-------|
| Self-aligning LBCF bearing inside | | Stainless steel variant of self-aligning LBCF bearing inside | | | dynamic C | static C ₀ | | |
| with shields | with 2 double lip seals | with shields | with 2 double lip seals | kg | min | max | min | max |
| – | – | – | – | | N | – | – | – |
| LUCF 12 D ^{s)} | LUCF 12 D-2LS | LUCF 12 D/HV6 ⁿ⁾ | LUCF 12 D-2LS/HV6 ⁿ⁾ | 0,050 | 600 | 1 080 | 415 | 850 |
| LUCF 16 D ^{s)} | LUCF 16 D-2LS | LUCF 16 D/HV6 ⁿ⁾ | LUCF 16 D-2LS/HV6 ⁿ⁾ | 0,065 | 670 | 1 320 | 480 | 1 120 |
| LUCF 20 D ^{s)} | LUCF 20 D-2LS | LUCF 20 D/HV6 ⁿ⁾ | LUCF 20 D-2LS/HV6 ⁿ⁾ | 0,137 | 1 460 | 2 500 | 915 | 1 830 |
| LUCF 25 D ^{u)} | LUCF 25 D-2LS ^{u)} | LUCF 25 D/HV6 ^{u)} | LUCF 25 D-2LS/HV6 ^{u)} | 0,267 | 2 280 | 3 900 | 1 220 | 2 450 |
| LUCF 30 D ^{s)} | LUCF 30 D-2LS | LUCF 30 D/HV6 ⁿ⁾ | LUCF 30 D-2LS/HV6 ⁿ⁾ | 0,394 | 3 250 | 5 700 | 1 960 | 3 900 |
| LUCF 40 D ^{u)} | LUCF 40 D-2LS ^{u)} | LUCF 40 D/HV6 ^{u)} | LUCF 40 D-2LS/HV6 ^{u)} | 0,677 | 5 500 | 9 500 | 3 000 | 5 850 |
| LUCF 50 ^{s)} | LUCF 50-2LS | LUCF 50/HV6 ⁿ⁾ | LUCF 50-2LS/HV6 ⁿ⁾ | 1,035 | 4 900 | 11 200 | 3 000 | 6 950 |

LUCT PA

| Designations | Mass | Basic load ratings | | static ²⁾ C ₀ |
|----------------------------------|-------|--------------------|-----------|-------------------------------------|
| | | dynamic C | dynamic C | |
| LPAT linear plain bearing inside | | at 0,1 m/s | at 4 m/s | |
| – | kg | N | | |
| LUCT 12 PA ⁿ⁾ | 0,042 | 1 060 | 26 | 3 650 |
| LUCT 16 PA ⁿ⁾ | 0,057 | 1 680 | 43 | 5 850 |
| LUCT 20 PA ⁿ⁾ | 0,115 | 2 700 | 68 | 9 500 |
| LUCT 25 PA ⁿ⁾ | 0,225 | 4 400 | 110 | 15 300 |
| LUCT 30 PA ⁿ⁾ | 0,328 | 6 000 | 150 | 20 800 |
| LUCT 40 PA ⁿ⁾ | 0,564 | 8 650 | 216 | 30 000 |
| LUCT 50 PA ⁿ⁾ | 0,935 | 12 700 | 320 | 45 000 |
| LUCT 60 PA ⁿ⁾ | 1,663 | 19 300 | 480 | 67 000 |
| LUCT 80 PA ⁿ⁾ | 3,981 | 33 500 | 830 | 116 000 |

Items without letter footnote are usually available from stock.

ⁿ⁾ Delivery time on request

^{s)} Delivery time usually 10 days for max. quantity of 4; larger quantities on request

^{u)} Size 25 available from Q1/2021; Size 40 under development; A-design units of both sizes are available until replacement

¹⁾ Basic load ratings are valid for bearing steel and stainless steel variants, but they must be reduced if stainless steel shafts are used

²⁾ Valid if the loads onto the housing are exclusively in direction of red arrow. See dimensional drawing on left page

3.4.4 Standard linear units - LUCT BH

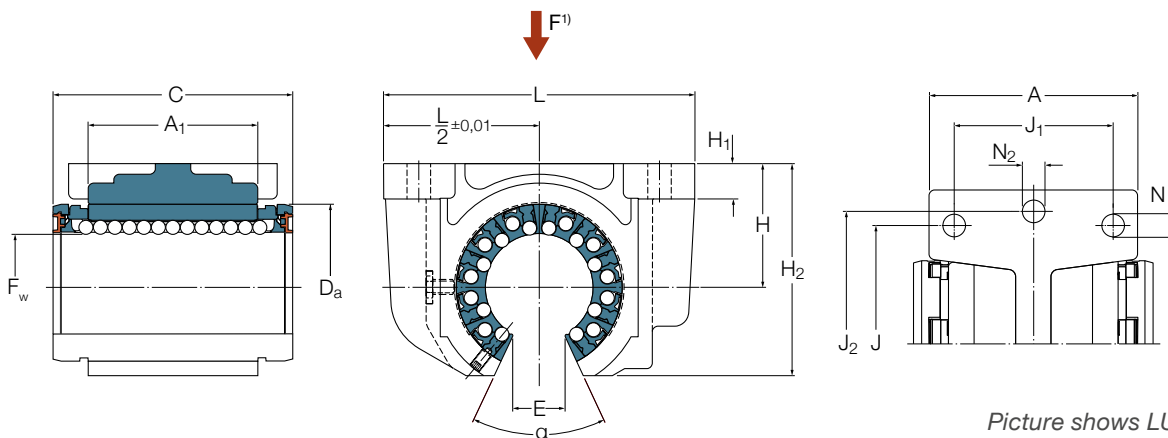
- LUCT BH with rigid LBHT heavy duty bearing

- Open heavy duty design in sizes from 20 mm to 50 mm
- Lightweight die-cast aluminium housing
- Available in variants of 2 seals or 2 shields
- Available as bearing steel (standard) or stainless steel variant
- Factory pre-lubricated with SKF LGEP 2 grease, ready for use
- Equipped with grease fitting
- Able to bolt from top or bottom side

Please find suitable shaft blocks or shaft supports in **chapter 3.6** and shafts in **chapter 3.7**



Pictured is LUCT 30 BH-2LS ²⁾



Picture shows LUCT BH with shields

| Dimensions | | | | | | | | | | | | | | | |
|------------|----|-------|-----|-------|----------------|-------|-------|-----|-------|-------|----------|----------|------------|----------|----------|
| F_w | A | A_1 | C | D_a | $H_{\pm 0,01}$ | H_1 | H_2 | J | J_1 | J_2 | $L^{2)}$ | $N^{3)}$ | $N_2^{3)}$ | $E^{4)}$ | α |
| mm | | | | | | | | | | | | | | | Deg. |
| 20 | 41 | 28 | 45 | 32 | 25 | 8 | 42 | 45 | 32 | 58 | 70 | 4,3 | 6,4 | 10,8 | 60,0 |
| 25 | 52 | 40 | 58 | 40 | 30 | 10 | 51 | 60 | 40 | 68 | 80 | 5,3 | 6,4 | 13,2 | 60,0 |
| 30 | 59 | 48 | 68 | 47 | 35 | 10 | 60 | 68 | 45 | 76 | 88 | 6,4 | 6,4 | 14,2 | 50,0 |
| 40 | 74 | 56 | 80 | 62 | 45 | 12 | 77 | 86 | 58 | 94 | 108 | 8,4 | 8,4 | 18,7 | 50,0 |
| 50 | 66 | 72 | 100 | 75 | 50 | 14 | 88 | 108 | 50 | 116 | 135 | 8,4 | 10,5 | 23,6 | 50,0 |

¹⁾ Direction for max. load ratings

²⁾ For units from size 50: Tolerance $L/2 \pm 0,02$

³⁾ For cylinder head screws with internal hexagon according to ISO 4762

⁴⁾ Minimum sector width at diameter F_w

LUCT BH

| Designations | | | | Mass | Basic load ratings ¹⁾ | | | |
|--------------------------|------------------------------|--|----------------------------------|-------|----------------------------------|--------------------------|-------|--------|
| LBHT bearing inside | | Stainless steel variant of LBHT bearing inside | | | dynamic C | static C ₀ | | |
| with shields | with 2 double lip seals | with shields | with 2 double lip seals | kg | min | max | min | max |
| – | | | | | N | | | |
| LUCT 20 BH ⁿ⁾ | LUCT 20 BH-2LS ^{s)} | LUCT 20 BH/HV6 ⁿ⁾ | LUCT 20 BH-2LS/HV6 ⁿ⁾ | 0,14 | 1 460 | 2 650 | 1 430 | 2 650 |
| LUCT 25 BH ⁿ⁾ | LUCT 25 BH-2LS ^{s)} | LUCT 25 BH/HV6 ⁿ⁾ | LUCT 25 BH-2LS/HV6 ⁿ⁾ | 0,275 | 2 200 | 4 900 | 2 240 | 5 100 |
| LUCT 30 BH ⁿ⁾ | LUCT 30 BH-2LS ^{s)} | LUCT 30 BH/HV6 ⁿ⁾ | LUCT 30 BH-2LS/HV6 ⁿ⁾ | 0,48 | 4 250 | 7 200 | 4 300 | 8 000 |
| LUCT 40 BH ⁿ⁾ | LUCT 40 BH-2LS ^{s)} | LUCT 40 BH/HV6 ⁿ⁾ | LUCT 40 BH-2LS/HV6 ⁿ⁾ | 0,86 | 6 950 | 11 600 | 6 300 | 11 400 |
| LUCT 50 BH ⁿ⁾ | LUCT 50 BH-2LS ^{s)} | LUCT 50 BH/HV6 ⁿ⁾ | LUCT 50 BH-2LS/HV6 ⁿ⁾ | 1,44 | 10 200 | 17 300 | 9 300 | 17 000 |

Items without letter footnote are usually available from stock.

ⁿ⁾ Delivery time on request

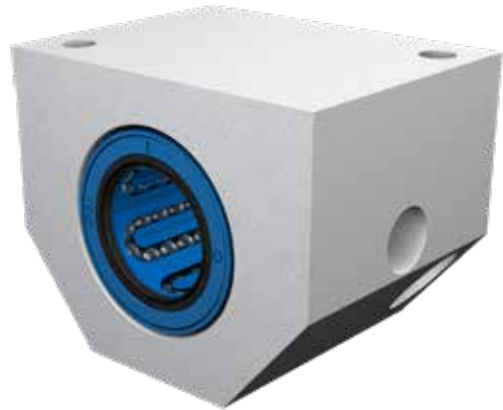
^{s)} Delivery time usually 10 days for max. quantity of 4; larger quantities on request

¹⁾ Basic load ratings are valid for bearing steel and stainless steel variants, but they must be reduced if stainless steel shafts are used

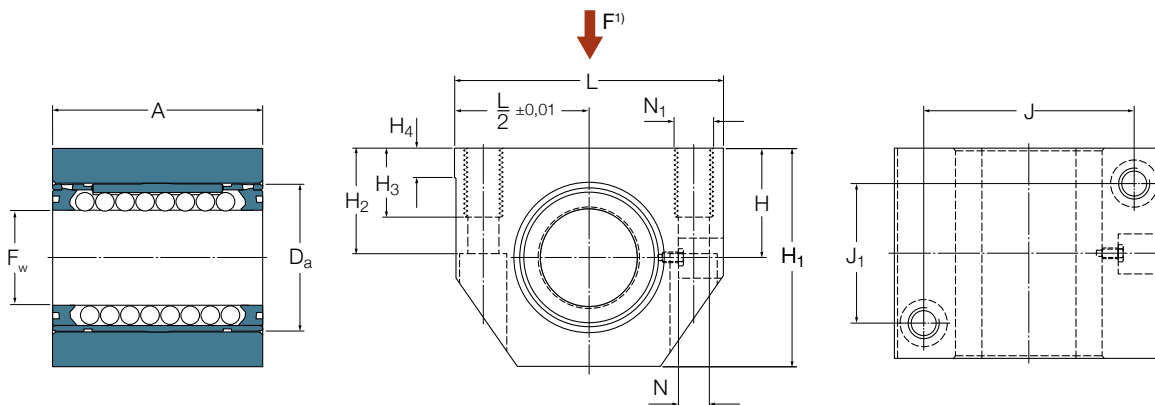
3.4.5 Standard linear units - LUNR/LUND

- LUNR with rigid LBCR bearing
 - LUND with self-aligning LBCD bearing
 - LUNR PA with LPAR linear plain bearing
- Closed design in sizes from 12 mm to 50 mm
 - Aluminium housing covers the entire bearing length
 - Available in variants of 2 seals or 2 shields
 - Available as bearing steel (standard) or stainless steel variant
 - Factory pre-lubricated with SKF LGEP 2 grease, ready for use
 - Equipped with grease fitting
 - Able to bolt from top or bottom side

Please find suitable shaft blocks or shaft supports in **chapter 3.6** and shafts in **chapter 3.7**



Pictured is LUND 30 D-2LS ²⁾



Picture shows LUND D with shields ²⁾

| Dimensions | | | | | | | | | | | | |
|----------------|-----|----------------|------------|----------------|----------------|----------------|----------------|-----|----------------|-----|-----------------|----------------|
| F _w | A | D _a | H ±0,01 | H ₁ | H ₂ | H ₃ | H ₄ | J | J ₁ | L | N ³⁾ | N ₁ |
| mm | | | | | | | | | | | | - |
| 12 | 32 | 22 | 18 | 35 | 16,5 | 11 | 6 | 32 | 23 | 43 | 4,3 | M5 |
| 16 | 37 | 26 | 22 | 42 | 21 | 13 | 7 | 40 | 26 | 53 | 5,3 | M6 |
| 20 | 45 | 32 | 25 | 50 | 24 | 18 | 7,5 | 45 | 32 | 60 | 6,6 | M8 |
| 25 | 58 | 40 | 30 | 61 | 29 | 22 | 8,5 | 60 | 40 | 78 | 8,4 | M10 |
| 30 | 68 | 47 | 35 | 70 | 34 | 22 | 9,5 | 68 | 45 | 87 | 8,4 | M10 |
| 40 | 80 | 62 | 45 | 90 | 44 | 26 | 11 | 86 | 58 | 108 | 10,5 | M12 |
| 50 | 100 | 75 | 50 | 105 | 49 | 35 | 11 | 108 | 50 | 132 | 13,5 | M16 |

¹⁾ Direction for max. load ratings

²⁾ Picture with non D-series bearing or plain bearing differs

³⁾ For cylinder head screws with internal hexagon according to ISO 4762

LUNR

| Designations | | | | Mass kg | Basic load ratings ¹⁾ | | | |
|-------------------------------------|-----------------------------|---|---------------------------------|------------|----------------------------------|--------|--------------------------|--------|
| LBCR bearing inside with shields | | Stainless steel variant of LBCR bearing inside with 2 double lip seals | | | dynamic C | | static C ₀ | |
| - | | - | | min N | | max | | |
| LUNR 12 D ⁿ⁾ | LUNR 12 D-2LS ⁿ⁾ | LUNR 12 D/HV6 ⁿ⁾ | LUNR 12 D-2LS/HV6 ⁿ⁾ | 0,100 | 930 | 1 370 | 695 | 1 120 |
| LUNR 16 D ⁿ⁾ | LUNR 16 D-2LS ⁿ⁾ | LUNR 16 D/HV6 ⁿ⁾ | LUNR 16 D-2LS/HV6 ⁿ⁾ | 0,170 | 1 080 | 1 600 | 800 | 1 290 |
| LUNR 20 D ⁿ⁾ | LUNR 20 D-2LS ⁿ⁾ | LUNR 20 D/HV6 ⁿ⁾ | LUNR 20 D-2LS/HV6 ⁿ⁾ | 0,273 | 2 200 | 3 250 | 1 630 | 2 650 |
| LUNR 25 D ⁿ⁾ | LUNR 25 D-2LS ⁿ⁾ | LUNR 25 D/HV6 ⁿ⁾ | LUNR 25 D-2LS/HV6 ⁿ⁾ | 0,554 | 3 100 | 4 550 | 2 360 | 3 800 |
| LUNR 30 D ⁿ⁾ | LUNR 30 D-2LS ⁿ⁾ | LUNR 30 D/HV6 ⁿ⁾ | LUNR 30 D-2LS/HV6 ⁿ⁾ | 0,827 | 4 800 | 7 100 | 3 550 | 5 700 |
| LUNR 40 D ⁿ⁾ | LUNR 40 D-2LS ⁿ⁾ | LUNR 40 D/HV6 ⁿ⁾ | LUNR 40 D-2LS/HV6 ⁿ⁾ | 1,501 | 7 650 | 11 200 | 5 100 | 8 300 |
| LUNR 50 ⁿ⁾ | LUNR 50-2LS ⁿ⁾ | LUNR 50/HV6 ⁿ⁾ | LUNR 50-2LS/HV6 ⁿ⁾ | 2,498 | 9 650 | 13 400 | 7 200 | 12 200 |

LUND

| Designations | | | | Mass kg | Basic load ratings ¹⁾ | | | |
|---|---------------|--|---------------------------------|------------|----------------------------------|--------|--------------------------|-------|
| Self-aligning LBCD bearing inside with shields | | Stainless steel variant of self-aligning LBCD bearing inside with 2 double lip seals | | | dynamic C | | static C ₀ | |
| - | | - | | min N | | max | | |
| LUND 12 D ^{s)} | LUND 12 D-2LS | LUND 12 D/HV6 ⁿ⁾ | LUND 12 D-2LS/HV6 ⁿ⁾ | 0,100 | 800 | 1 220 | 570 | 930 |
| LUND 16 D ^{s)} | LUND 16 D-2LS | LUND 16D/HV6 ⁿ⁾ | LUND 16 D-2LS/HV6 ⁿ⁾ | 0,169 | 950 | 1 400 | 655 | 1 060 |
| LUND 20 D ^{s)} | LUND 20 D-2LS | LUND 20D/HV6 ⁿ⁾ | LUND 20 D-2LS/HV6 ⁿ⁾ | 0,272 | 1 730 | 2 550 | 1 120 | 1 800 |
| LUND 25 D ^{s)} | LUND 25 D-2LS | LUND 25D/HV6 ⁿ⁾ | LUND 25 D-2LS/HV6 ⁿ⁾ | 0,552 | 2 600 | 3 800 | 1 430 | 2 320 |
| LUND 30 D ^{s)} | LUND 30 D-2LS | LUND 30 D/HV6 ⁿ⁾ | LUND 30 D-2LS/HV6 ⁿ⁾ | 0,825 | 3 800 | 5 600 | 2 320 | 3 750 |
| LUND 40 D ^{s)} | LUND 40 D-2LS | LUND 40 D/HV6 ⁿ⁾ | LUND 40 D-2LS/HV6 ⁿ⁾ | 1,494 | 6 550 | 9 650 | 3 350 | 5 700 |
| LUND 50 ^{s)} | LUND 50-2LS | LUND 50/HV6 ⁿ⁾ | LUND 50-2LS/HV6 ⁿ⁾ | 2,478 | 8 000 | 11 200 | 4 150 | 6 950 |

LUNR PA

| Designations | Mass kg | Basic load ratings | | static ²⁾ C ₀ |
|--------------------------|------------|---------------------------------|----------|--|
| | | dynamic C at 0,1 m/s N | at 4 m/s | |
| LUNR 12 PA ⁿ⁾ | 0,09 | 1 060 | 26 | 3 650 |
| LUNR 16 PA ⁿ⁾ | 0,159 | 1 680 | 43 | 5 850 |
| LUNR 20 PA ⁿ⁾ | 0,245 | 2 700 | 68 | 9 500 |
| LUNR 25 PA ⁿ⁾ | 0,501 | 4 400 | 110 | 15 300 |
| LUNR 30 PA ⁿ⁾ | 0,745 | 6 000 | 150 | 20 800 |
| LUNR 40 PA ⁿ⁾ | 1,358 | 8 650 | 216 | 30 000 |
| LUNR 50 PA ⁿ⁾ | 2,348 | 12 700 | 320 | 45 000 |

Items without letter footnote are usually available from stock.

ⁿ⁾ Delivery time on request

^{s)} Delivery time usually 10 days for max. quantity of 4; larger quantities on request

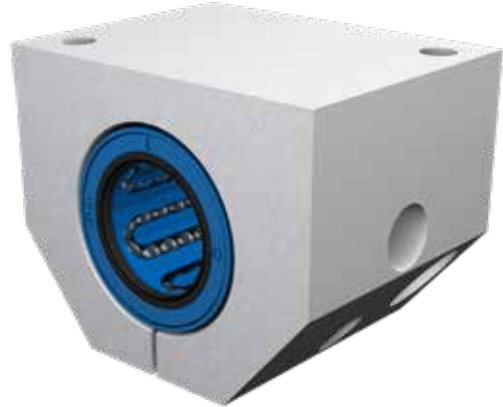
¹⁾ Basic load ratings are valid for bearing steel and stainless steel variants, but they must be reduced if stainless steel shafts are used

²⁾ Valid if the loads onto the housing are exclusively in direction of red arrow. See dimensional drawing on left page

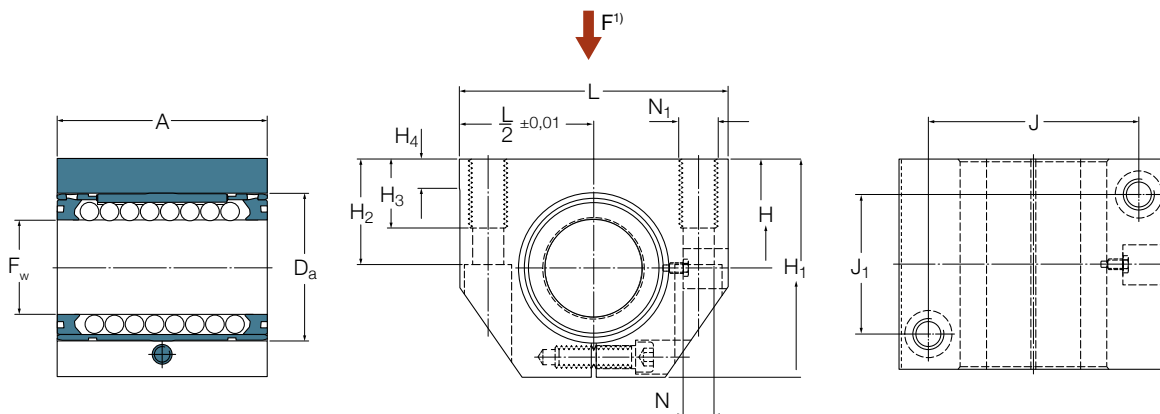
3.4.6 Standard linear units - LUNS/LUNE

- LUNS with rigid LBCR bearing
- LUNE with self-aligning LBCD bearing
- Slotted design for adjustable clearance in sizes from 12 mm to 50 mm
- Aluminium housing covers the entire bearing length
- Available in variants of 2 seals or 2 shields
- Available as bearing steel (standard) or stainless-steel variant
- Factory pre-lubricated with SKF LGEP 2 grease, ready for use
- Equipped with grease fitting
- Able to bolt from top or bottom side

Please find suitable shaft blocks or shaft supports in **chapter 3.6** and shafts in **chapter 3.7**



Pictured is LUNE 30 D-2LS ²⁾



Picture shows LUNE D with shields ²⁾

| Dimensions | | | | | | | | | | | | |
|----------------|-----|----------------|------------|----------------|----------------|----------------|----------------|-----|----------------|-----|-----------------|----------------|
| F _w | A | D _a | H ±0,01 | H ₁ | H ₂ | H ₃ | H ₄ | J | J ₁ | L | N ³⁾ | N ₁ |
| mm | | | | | | | | | | | | - |
| 12 | 32 | 22 | 18 | 35 | 16,5 | 11 | 6 | 32 | 23 | 43 | 4,3 | M5 |
| 16 | 37 | 26 | 22 | 42 | 21 | 13 | 7 | 40 | 26 | 53 | 5,3 | M6 |
| 20 | 45 | 32 | 25 | 50 | 24 | 18 | 7,5 | 45 | 32 | 60 | 6,6 | M8 |
| 25 | 58 | 40 | 30 | 61 | 29 | 22 | 8,5 | 60 | 40 | 78 | 8,4 | M10 |
| 30 | 68 | 47 | 35 | 70 | 34 | 22 | 9,5 | 68 | 45 | 87 | 8,4 | M10 |
| 40 | 80 | 62 | 45 | 90 | 44 | 26 | 11 | 86 | 58 | 108 | 10,5 | M12 |
| 50 | 100 | 75 | 50 | 105 | 49 | 35 | 11 | 108 | 50 | 132 | 13,5 | M16 |

¹⁾ Direction for max. load ratings

²⁾ Picture with non D-series bearing or plain bearing differs

³⁾ For cylinder head screws with internal hexagon according to ISO 4762

LUNS

| Designations | | | | Mass kg | Basic load ratings ¹⁾ | | | |
|-------------------------------------|-----------------------------|---|---------------------------------|------------|----------------------------------|--------|--------------------------|--------|
| LBCR bearing inside with shields | | Stainless steel variant of LBCR bearing inside with 2 double lip seals | | | dynamic C | | static C ₀ | |
| | with 2 double lip seals | with shields | with 2 double lip seals | | min | max | min | max |
| – | | | | | N | | | |
| LUNS 12 D ⁿ⁾ | LUNS 12 D-2LS ⁿ⁾ | LUNS 12 D/HV6 ⁿ⁾ | LUNS 12 D-2LS/HV6 ⁿ⁾ | 0,100 | 930 | 1 370 | 695 | 1 120 |
| LUNS 16 D ⁿ⁾ | LUNS 16 D-2LS ⁿ⁾ | LUNS 16 D/HV6 ⁿ⁾ | LUNS 16 D-2LS/HV6 ⁿ⁾ | 0,170 | 1 080 | 1 600 | 800 | 1 290 |
| LUNS 20 D ⁿ⁾ | LUNS 20 D-2LS ⁿ⁾ | LUNS 20 D/HV6 ⁿ⁾ | LUNS 20 D-2LS/HV6 ⁿ⁾ | 0,273 | 2 200 | 3 250 | 1 630 | 2 650 |
| LUNS 25 D ⁿ⁾ | LUNS 25 D-2LS ⁿ⁾ | LUNS 25 D/HV6 ⁿ⁾ | LUNS 25 D-2LS/HV6 ⁿ⁾ | 0,554 | 3 100 | 4 550 | 2 360 | 3 800 |
| LUNS 30 D ⁿ⁾ | LUNS 30 D-2LS ⁿ⁾ | LUNS 30 D/HV6 ⁿ⁾ | LUNS 30 D-2LS/HV6 ⁿ⁾ | 0,827 | 4 800 | 7 100 | 3 550 | 5 700 |
| LUNS 40 D ⁿ⁾ | LUNS 40 D-2LS ⁿ⁾ | LUNS 40 D/HV6 ⁿ⁾ | LUNS 40 D-2LS/HV6 ⁿ⁾ | 1,501 | 7 650 | 11 200 | 5 100 | 8 300 |
| LUNS 50 ⁿ⁾ | LUNS 50-2LS ⁿ⁾ | LUNS 50/HV6 ⁿ⁾ | LUNS 50-2LS/HV6 ⁿ⁾ | 2,498 | 9 650 | 13 400 | 7 200 | 12 200 |

LUNE

| Designations | | | | Mass kg | Basic load ratings ¹⁾ | | | |
|---|-------------------------|--|---------------------------------|------------|----------------------------------|--------|--------------------------|-------|
| Self-aligning LBCD bearing inside with shields | | Stainless steel variant of self-aligning LBCD bearing inside with 2 double lip seals | | | dynamic C | | static C ₀ | |
| | with 2 double lip seals | with shields | with 2 double lip seals | | min | max | min | max |
| – | | | | | N | | | |
| LUNE 12 D ^{s)} | LUNE 12 D-2LS | LUNE 12 D/HV6 ⁿ⁾ | LUNE 12 D-2LS/HV6 ⁿ⁾ | 0,100 | 800 | 1 220 | 570 | 930 |
| LUNE 16 D ^{s)} | LUNE 16 D-2LS | LUNE 16 D/HV6 ⁿ⁾ | LUNE 16 D-2LS/HV6 ⁿ⁾ | 0,169 | 950 | 1 400 | 655 | 1 060 |
| LUNE 20 D ^{s)} | LUNE 20 D-2LS | LUNE 20 D/HV6 ⁿ⁾ | LUNE 20 D-2LS/HV6 ⁿ⁾ | 0,272 | 1 730 | 2 550 | 1 120 | 1 800 |
| LUNE 25 D ^{s)} | LUNE 25 D-2LS | LUNE 25 D/HV6 ⁿ⁾ | LUNE 25 D-2LS/HV6 ⁿ⁾ | 0,552 | 2 600 | 3 800 | 1 430 | 2 320 |
| LUNE 30 D ^{s)} | LUNE 30 D-2LS | LUNE 30 D/HV6 ⁿ⁾ | LUNE 30 D-2LS/HV6 ⁿ⁾ | 0,825 | 3 800 | 5 600 | 2 320 | 3 750 |
| LUNE 40 D ^{s)} | LUNE 40 D-2LS | LUNE 40 D/HV6 ⁿ⁾ | LUNE 40 D-2LS/HV6 ⁿ⁾ | 1,494 | 6 550 | 9 650 | 3 350 | 5 700 |
| LUNE 50 ^{s)} | LUNE 50-2LS | LUNE 50/HV6 ⁿ⁾ | LUNE 50-2LS/HV6 ⁿ⁾ | 2,478 | 8 000 | 11 200 | 4 150 | 6 950 |

Items without letter footnote are usually available from stock.

ⁿ⁾ Delivery time on request

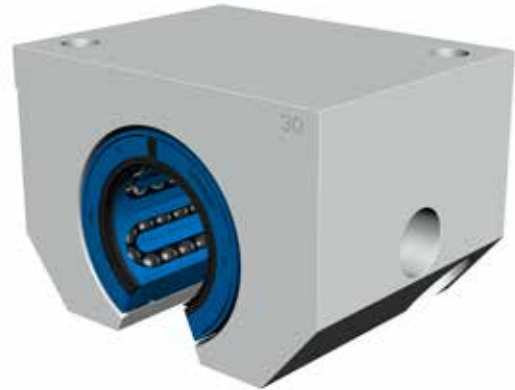
^{s)} Delivery time usually 10 days for max. quantity of 4; larger quantities on request

¹⁾ Basic load ratings are valid for bearing steel and stainless steel variants, but they must be reduced if stainless steel shafts are used

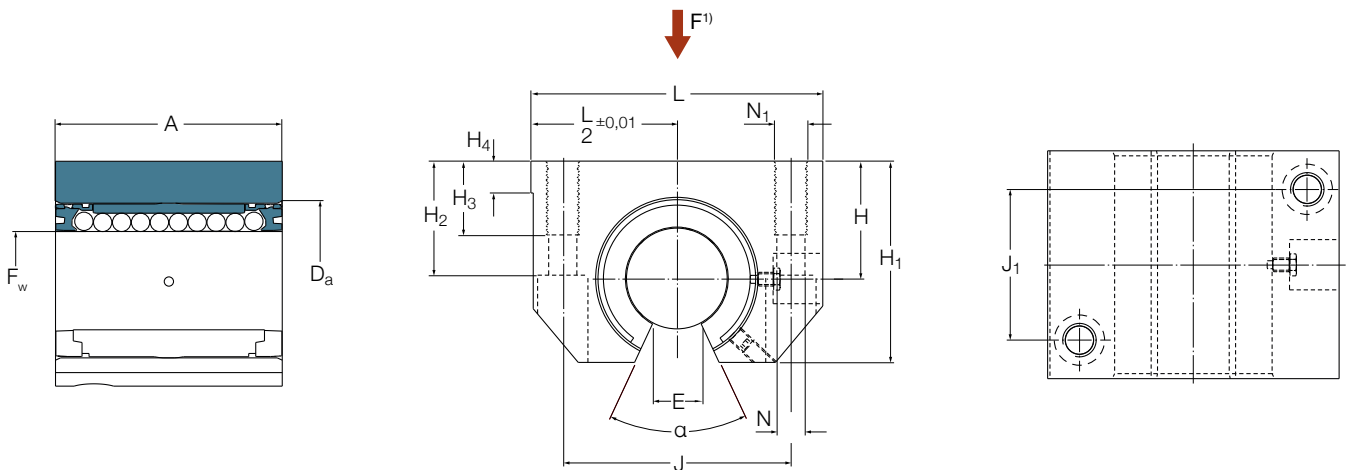
3.4.7 Standard linear units - LUNT/LUNF

- LUNT with rigid LBCT bearing
 - LUNF with self-aligning LBCF bearing
 - LUNT PA with LPAT linear plain bearing
- Open design in sizes from 12 mm to 50 mm
 - Aluminium housing covers the entire bearing length
 - Available in variants of 2 seals or 2 shields
 - Available as bearing steel (standard) or stainless steel variant
 - Factory pre-lubricated with SKF LGEP 2 grease, ready for use
 - Equipped with grease fitting
 - Able to bolt from top or bottom side

Please find suitable shaft blocks or shaft supports in **chapter 3.6** and shafts in **chapter 3.7**



Pictured is LUNF 30 D-2LS ²⁾



Picture shows LUNF D with shields ²⁾

| Dimensions | | | | | | | | | | | | | | |
|------------|-----|-------|-----------------|-------|-------|-------|-------|-----|-------|-----|----------|-------|----------|----------|
| F_w | A | D_a | H $\pm 0,01$ | H_1 | H_2 | H_3 | H_4 | J | J_1 | L | $N^{3)}$ | N_1 | $E^{4)}$ | α |
| mm | | | | | | | | | | | | - | mm | Deg. |
| 12 | 32 | 22 | 18 | 28 | 16,5 | 11 | 6 | 32 | 23 | 43 | 4,3 | M5 | 8 | 78 |
| 16 | 37 | 26 | 22 | 35 | 21 | 13 | 7 | 40 | 26 | 53 | 5,3 | M6 | 10 | 78 |
| 20 | 45 | 32 | 25 | 42 | 24 | 18 | 7,5 | 45 | 32 | 60 | 6,6 | M8 | 11 | 60 |
| 25 | 58 | 40 | 30 | 51 | 29 | 22 | 8,5 | 60 | 40 | 78 | 8,4 | M10 | 13 | 60 |
| 30 | 68 | 47 | 35 | 60 | 34 | 22 | 9,5 | 68 | 45 | 87 | 8,4 | M10 | 14 | 50 |
| 40 | 80 | 62 | 45 | 77 | 44 | 26 | 11 | 86 | 58 | 108 | 10,5 | M12 | 19 | 50 |
| 50 | 100 | 75 | 50 | 88 | 49 | 35 | 11 | 108 | 50 | 132 | 13,5 | M16 | 23,6 | 50 |

¹⁾ Direction for max. load ratings

²⁾ Picture with non D-series bearing or plain bearing differs

³⁾ For cylinder head screws with internal hexagon according to ISO 4762

⁴⁾ Minimum sector width at diameter F_w

LUNT

| Designations | | | | Mass | Basic load ratings ¹⁾ | | | |
|----------------------------------|-----------------------------|--|---------------------------------|-------|----------------------------------|--------|-----------------------|--------|
| LBCT bearing inside with shields | | Stainless steel variant of LBCT bearing inside with 2 double lip seals | | | dynamic C | max | static C ₀ | max |
| - | | | | kg | min | | min | |
| LUNT 12 D ⁿ⁾ | LUNT 12 D-2LS ⁿ⁾ | LUNT 12 D/HV6 ⁿ⁾ | LUNT 12 D-2LS/HV6 ⁿ⁾ | 0,080 | 695 | 1 220 | 510 | 1 020 |
| LUNT 16 D ⁿ⁾ | LUNT 16 D-2LS ⁿ⁾ | LUNT 16 D/HV6 ⁿ⁾ | LUNT 16 D-2LS/HV6 ⁿ⁾ | 0,138 | 765 | 1 500 | 585 | 1 370 |
| LUNT 20 D ⁿ⁾ | LUNT 20 D-2LS ⁿ⁾ | LUNT 20 D/HV6 ⁿ⁾ | LUNT 20 D-2LS/HV6 ⁿ⁾ | 0,225 | 1 860 | 3 200 | 1 340 | 2 700 |
| LUNT 25 D ^{u)} | LUNT 25 D-2LS ^{u)} | LUNT 25 D/HV6 ^{u)} | LUNT 25 D-2LS/HV6 ^{u)} | 0,462 | 2 700 | 4 650 | 2 000 | 4 000 |
| LUNT 30 D ⁿ⁾ | LUNT 30 D-2LS ⁿ⁾ | LUNT 30 D/HV6 ⁿ⁾ | LUNT 30 D-2LS/HV6 ⁿ⁾ | 0,696 | 4 150 | 7 200 | 3 000 | 6 000 |
| LUNT 40 D ^{u)} | LUNT 40 D-2LS ^{u)} | LUNT 40 D/HV6 ^{u)} | LUNT 40 D-2LS/HV6 ^{u)} | 1,260 | 6 400 | 11 000 | 4 250 | 8 500 |
| LUNT 50 ⁿ⁾ | LUNT 50-2LS ⁿ⁾ | LUNT 50/HV6 ⁿ⁾ | LUNT 50-2LS/HV6 ⁿ⁾ | 2,041 | 5 850 | 13 400 | 5 300 | 12 200 |

LUNF

| Designations | | | | Mass | Basic load ratings ¹⁾ | | | |
|--|-----------------------------|--|---------------------------------|-------|----------------------------------|--------|-----------------------|-------|
| Self-aligning LBCF bearing inside with shields | | Stainless steel variant of self-aligning LBCF bearing inside with 2 double lip seals | | | dynamic C | max | static C ₀ | max |
| - | | | | kg | min | | min | |
| LUNF 12 D ^{s)} | LUNF 12 D-2LS | LUNF 12 D/HV6 ^{s)} | LUNF 12 D-2LS/HV6 ^{s)} | 0,080 | 600 | 1 080 | 415 | 850 |
| LUNF 16 D ^{s)} | LUNF 16 D-2LS | LUNF 16 D/HV6 ^{s)} | LUNF 16 D-2LS/HV6 ^{s)} | 0,138 | 670 | 1 320 | 480 | 1 120 |
| LUNF 20 D ^{s)} | LUNF 20 D-2LS | LUNF 20 D/HV6 ^{s)} | LUNF 20 D-2LS/HV6 ^{s)} | 0,224 | 1 460 | 2 500 | 915 | 1 830 |
| LUNF 25 D ^{u)} | LUNF 25 D-2LS ^{u)} | LUNF 25 D/HV6 ^{u)} | LUNF 25 D-2LS/HV6 ^{u)} | 0,460 | 2 280 | 3 900 | 1 220 | 2 450 |
| LUNF 30 D ^{s)} | LUNF 30 D-2LS | LUNF 30 D/HV6 ^{s)} | LUNF 30 D-2LS/HV6 ^{s)} | 0,694 | 3 250 | 5 700 | 1 960 | 3 900 |
| LUNF 40 D ^{u)} | LUNF 40 D-2LS ^{u)} | LUNF 40 D/HV6 ^{u)} | LUNF 40 D-2LS/HV6 ^{u)} | 1,256 | 5 500 | 9 500 | 3 000 | 5 850 |
| LUNF 50 ^{s)} | LUNF 50-2LS | LUNF 50/HV6 ^{s)} | LUNF 50-2LS/HV6 ^{s)} | 2,021 | 4 900 | 11 200 | 3 000 | 6 950 |

LUNT PA

| Designations | Mass | Basic load ratings | | static ²⁾ C ₀ |
|----------------------------------|-------|--------------------|----------|-------------------------------------|
| | | dynamic C | at 4 m/s | |
| LPAT linear plain bearing inside | | at 0,1 m/s | | |
| - | kg | N | | |
| LUNT 12 PA ⁿ⁾ | 0,072 | 1 060 | 26 | 3 650 |
| LUNT 16 PA ⁿ⁾ | 0,130 | 1 680 | 43 | 5 850 |
| LUNT 20 PA ⁿ⁾ | 0,202 | 2 700 | 68 | 9 500 |
| LUNT 25 PA ⁿ⁾ | 0,418 | 4 400 | 110 | 15 300 |
| LUNT 30 PA ⁿ⁾ | 0,628 | 6 000 | 150 | 20 800 |
| LUNT 40 PA ⁿ⁾ | 1,143 | 8 650 | 216 | 30 000 |
| LUNT 50 PA ⁿ⁾ | 1,921 | 12 700 | 320 | 45 000 |

Items without letter footnote are usually available from stock.

ⁿ⁾ Delivery time on request

^{s)} Delivery time usually 10 days for max. quantity of 4; larger quantities on request

^{u)} Size 25 available from Q1/2021; Size 40 under development; A-design units of both sizes are available until replacement

¹⁾ Basic load ratings are valid for bearing steel and stainless steel variants, but they must be reduced if stainless steel shafts are used

²⁾ Valid if the loads onto the housing are exclusively in direction of red arrow. See dimensional drawing on left page

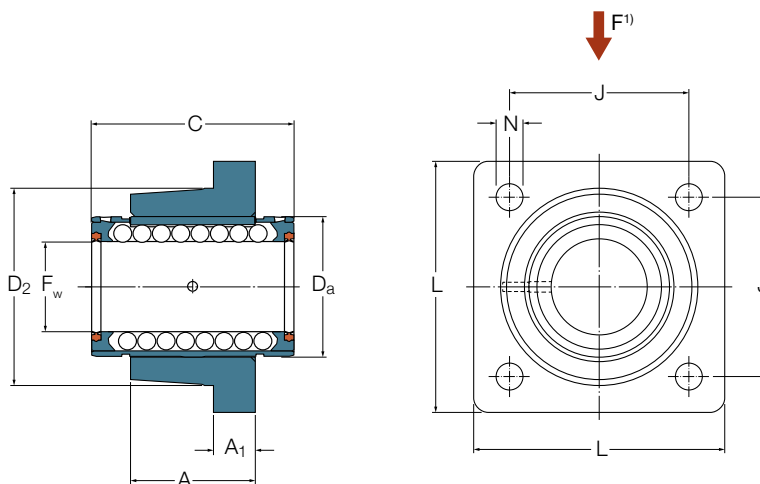
3.4.8 Standard flanged units - LVCR/LVCD

- LVCR with rigid LBCR bearing
 - LVCD with self-aligning LBCD bearing
 - LVCR PA with LPAR linear plain bearing
- Flanged design in sizes from 12 mm to 80 mm
 - Cast iron housing for high rigidity
 - Available in variants of 2 seals or 2 shields
 - Available as bearing steel (standard) or stainless-steel variant
 - Factory pre-lubricated with SKF LGEP 2 grease, ready for use
 - Relubrication via the shaft surface
 - Flexible to bolt from either side of the flange surface

Please find suitable shaft blocks or shaft supports in **chapter 3.6** and shafts in **chapter 3.7**



Pictured is LVCR 30 D-2LS 2)



Picture shows LVCR with 2 double lip seals 2)

| Dimensions | | | | | | | | |
|----------------------|-----|----------------|-----|----------------|----------------|-----|-----|-----------------|
| F _w mm | A | A ₁ | C | D _a | D ₂ | J | L | N ³⁾ |
| 12 | 20 | 8 | 32 | 22 | 32 | 30 | 42 | 5,5 |
| 16 | 22 | 8 | 36 | 26 | 38 | 35 | 50 | 5,5 |
| 20 | 28 | 10 | 45 | 32 | 46 | 42 | 60 | 6,6 |
| 25 | 40 | 12 | 58 | 40 | 58 | 54 | 74 | 6,6 |
| 30 | 48 | 14 | 68 | 47 | 66 | 60 | 84 | 9 |
| 40 | 56 | 16 | 80 | 62 | 90 | 78 | 108 | 11 |
| 50 | 72 | 18 | 100 | 75 | 110 | 98 | 130 | 11 |
| 60 | 95 | 22 | 125 | 90 | 135 | 120 | 160 | 13,5 |
| 80 | 125 | 25 | 165 | 120 | 180 | 155 | 200 | 13,5 |

¹⁾ Direction for max. load ratings

²⁾ Picture with non D-series bearing or plain bearing differs

³⁾ For cylinder head screws with internal hexagon according to ISO 4762

LVCR

| Designations | | | Mass | Basic load ratings ¹⁾ | | | |
|----------------------------------|---------------------------|--|--------|----------------------------------|--------|-----------------------|--------|
| LBCR bearing inside with shields | with 2 double lip seals | Stainless steel variant of LBCR bearing inside with 2 double lip seals | | dynamic C | max | static C ₀ | max |
| – | | | kg | min | N | min | max |
| LVCR 12 D ^{s)} | LVCR 12 D-2LS | LVCR 12 D-2LS/HV6 ⁿ⁾ | 0,117 | 930 | 1 370 | 695 | 1 120 |
| LVCR 16 D ^{s)} | LVCR 16 D-2LS | LVCR 16 D-2LS/HV6 ⁿ⁾ | 0,171 | 1 080 | 1 600 | 800 | 1 290 |
| LVCR 20 D ^{s)} | LVCR 20 D-2LS | LVCR 20 D-2LS/HV6 ⁿ⁾ | 0,326 | 2 200 | 3 250 | 1 630 | 2 650 |
| LVCR 25 D ^{s)} | LVCR 25 D-2LS | LVCR 25 D-2LS/HV6 ⁿ⁾ | 0,676 | 3 100 | 4 550 | 2 360 | 3 800 |
| LVCR 30 D ^{s)} | LVCR 30 D-2LS | LVCR 30 D-2LS/HV6 ⁿ⁾ | 1,032 | 4 800 | 7 100 | 3 550 | 5 700 |
| LVCR 40 D ^{s)} | LVCR 40 D-2LS | LVCR 40 D-2LS/HV6 ⁿ⁾ | 1,973 | 7 650 | 11 200 | 5 100 | 8 300 |
| LVCR 50 ^{s)} | LVCR 50-2LS | LVCR 50-2LS/HV6 ⁿ⁾ | 3,294 | 9 650 | 13 400 | 7 200 | 12 200 |
| LVCR 60 ^{s)} | LVCR 60-2LS ^{s)} | LVCR 60-2LS/HV6 ⁿ⁾ | 5,920 | 14 600 | 20 400 | 11 200 | 18 000 |
| LVCR 80 ^{s)} | LVCR 80-2LS ^{s)} | LVCR 80-2LS/HV6 ⁿ⁾ | 13,300 | 26 500 | 37 500 | 19 600 | 32 000 |

LVCD

| Designations | | | Mass | Basic load ratings ¹⁾ | | | |
|--|-----------------------------|--|-------|----------------------------------|--------|-----------------------|-------|
| Self-aligning LBCD bearing inside with shields | with 2 double lip seals | Stainless steel variant of self-aligning LBCD bearing inside with 2 double lip seals | | dynamic C | max | static C ₀ | max |
| – | | | kg | min | N | min | max |
| LVCD 12 D ⁿ⁾ | LVCD 12 D-2LS ^{s)} | LVCD 12 D-2LS/HV6 ⁿ⁾ | 0,117 | 800 | 1 220 | 570 | 930 |
| LVCD 16 D ⁿ⁾ | LVCD 16 D-2LS ^{s)} | LVCD 16 D-2LS/HV6 ⁿ⁾ | 0,170 | 950 | 1 400 | 655 | 1 060 |
| LVCD 20 D ⁿ⁾ | LVCD 20 D-2LS ^{s)} | LVCD 20 D-2LS/HV6 ⁿ⁾ | 0,325 | 1 730 | 2 550 | 1 120 | 1 800 |
| LVCD 25 D ⁿ⁾ | LVCD 25 D-2LS ^{s)} | LVCD 25 D-2LS/HV6 ⁿ⁾ | 0,674 | 2 600 | 3 800 | 1 430 | 2 320 |
| LVCD 30 D ⁿ⁾ | LVCD 30 D-2LS ^{s)} | LVCD 30 D-2LS/HV6 ⁿ⁾ | 1,030 | 3 800 | 5 600 | 2 320 | 3 750 |
| LVCD 40 D ⁿ⁾ | LVCD 40 D-2LS ^{s)} | LVCD 40 D-2LS/HV6 ⁿ⁾ | 1,966 | 6 550 | 9 650 | 3 350 | 5 700 |
| LVCD 50 ⁿ⁾ | LVCD 50-2LS ^{s)} | LVCD 50 2LS/HV6 ⁿ⁾ | 3,274 | 8 000 | 11 200 | 4 150 | 6 950 |

LVCR PA

| Designations | Mass | Basic load ratings | | static ²⁾ C ₀ |
|----------------------------------|--------|--------------------|----------|-------------------------------------|
| | | dynamic C | at 4 m/s | |
| LPAR linear plain bearing inside | | at 0,1 m/s | | |
| – | kg | N | | |
| LVCR 12 PA ⁿ⁾ | 0,107 | 1 060 | 26 | 3 650 |
| LVCR 16 PA ⁿ⁾ | 0,160 | 1 680 | 43 | 5 850 |
| LVCR 20 PA ⁿ⁾ | 0,298 | 2 700 | 68 | 9 500 |
| LVCR 25 PA ⁿ⁾ | 0,623 | 4 400 | 110 | 15 300 |
| LVCR 30 PA ⁿ⁾ | 0,950 | 6 000 | 150 | 20 800 |
| LVCR 40 PA ⁿ⁾ | 1,830 | 8 650 | 216 | 30 000 |
| LVCR 50 PA ⁿ⁾ | 3,144 | 12 700 | 320 | 45 000 |
| LVCR 60 PA ⁿ⁾ | 5,660 | 19 300 | 480 | 67 000 |
| LVCR 80 PA ⁿ⁾ | 12,720 | 33 500 | 830 | 116 000 |

Items without letter footnote are usually available from stock.

ⁿ⁾ Delivery time on request

^{s)} Delivery time usually 10 days for max. quantity of 4; larger quantities on request

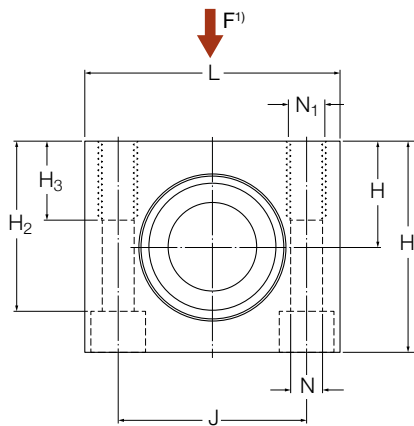
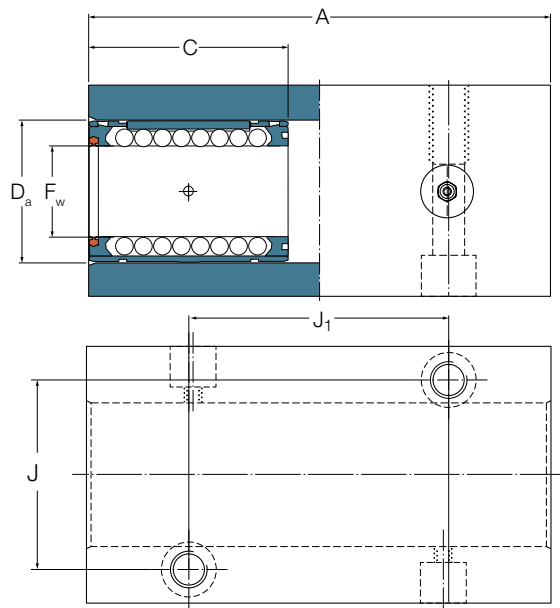
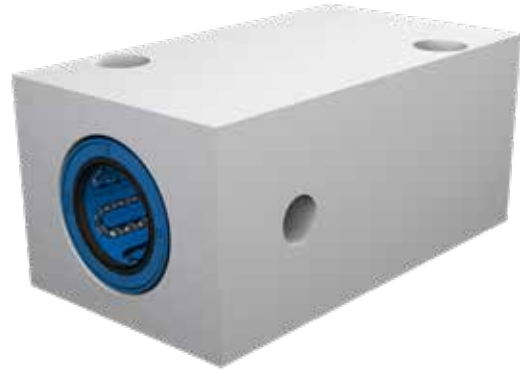
¹⁾ Basic load ratings are valid for bearing steel and stainless steel variants, but they must be reduced if stainless steel shafts are used

²⁾ Valid if the loads onto the housing are exclusively in direction of red arrow. See dimensional drawing on left page

3.4.9 Standard tandem units - LTCR/LTCD

- LTCR with rigid LBCR bearing
 - LTCD with self-aligning LBCD bearing
 - LTCR PA with LPAR linear plain bearing
- Closed design in sizes from 12 mm to 50 mm
 - Aluminium housing with 2 mounted bearings
 - Available as sealed or shielded variant
 - Available as bearing steel (standard) or stainless steel variant
 - Factory pre-lubricated with SKF LGEP 2 grease, ready for use
 - Equipped with grease fitting
 - Able to bolt from top or bottom side

Please find suitable shaft blocks or shaft supports in **chapter 3.6** and shafts in **chapter 3.7**



Pictured is LTCD 30 D-2LS ²⁾

Picture shows LTCD D with double lip seals on the outside ²⁾

| Dimensions | | | | | | | | | | | | |
|----------------|-----|-----|----------------|------------|----------------|----------------|----------------|-----|----------------|-----|-----------------|----------------|
| F _w | A | C | D _a | H ±0,01 | H ₁ | H ₂ | H ₃ | J | J ₁ | L | N ³⁾ | N ₁ |
| mm | | | | | | | | | | | | - |
| 12 | 76 | 32 | 22 | 18 | 35 | 27 | 13 | 30 | 40 | 42 | 5,3 | M6 |
| 16 | 84 | 36 | 26 | 22 | 41,5 | 33,0 | 13 | 36 | 45 | 50 | 5,3 | M6 |
| 20 | 104 | 45 | 32 | 25 | 49,5 | 39,5 | 18 | 45 | 55 | 60 | 6,4 | M8 |
| 25 | 130 | 58 | 40 | 30 | 59,5 | 47 | 22 | 54 | 70 | 74 | 8,4 | M10 |
| 30 | 152 | 68 | 47 | 35 | 69,5 | 55 | 26 | 62 | 85 | 84 | 10,5 | M12 |
| 40 | 176 | 80 | 62 | 45 | 89,5 | 71 | 34 | 80 | 100 | 108 | 13 | M16 |
| 50 | 224 | 100 | 75 | 50 | 99,5 | 81 | 34 | 100 | 125 | 130 | 13 | M16 |

¹⁾ Direction for max. load ratings

²⁾ Picture with non D-series bearing or plain bearing differs

³⁾ For 2 cylinder head screws with internal hexagon according to ISO 4762

LTCR

| Designations | | | Mass kg | Basic load ratings ¹⁾ | | | |
|-------------------------------------|-----------------------------|--|------------|----------------------------------|--------|---------------------------------|--------|
| LBCR bearing inside with shields | with double lip seal | Stainless steel variant of LBCR bearing inside with double lip seal | | dynamic C min N | max | static C ₀ min | max |
| – | | | | | | | |
| LTCR 12 D ⁿ⁾ | LTCR 12 D-2LS ^{s)} | LTCR 12 D-2LS/HV6 ⁿ⁾ | 0,248 | 1 500 | 2240 | 1 400 | 2 240 |
| LTCR 16 D ⁿ⁾ | LTCR 16 D-2LS ^{s)} | LTCR 16 D-2LS/HV6 ⁿ⁾ | 0,387 | 1 760 | 2 600 | 1 600 | 2 600 |
| LTCR 20 D ⁿ⁾ | LTCR 20 D-2LS ^{s)} | LTCR 20 D-2LS/HV6 ⁿ⁾ | 0,696 | 3 550 | 5 300 | 3 250 | 5 300 |
| LTCR 25 D ⁿ⁾ | LTCR 25 D-2LS ^{s)} | LTCR 25 D-2LS/HV6 ⁿ⁾ | 1,282 | 5 000 | 7 350 | 4 750 | 7 650 |
| LTCR 30 D ⁿ⁾ | LTCR 30 D-2LS ^{s)} | LTCR 30 D-2LS/HV6 ⁿ⁾ | 1,942 | 7 800 | 11 600 | 7 100 | 11 400 |
| LTCR 40 D ⁿ⁾ | LTCR 40 D-2LS ^{s)} | LTCR 40 D-2LS/HV6 ⁿ⁾ | 3,683 | 12 500 | 18 300 | 10 200 | 16 600 |
| LTCR 50 ⁿ⁾ | LTCR 50-2LS ^{s)} | LTCR 50-2LS/HV6 ⁿ⁾ | 5,970 | 15 600 | 21 600 | 14 300 | 24 500 |

LTCD

| Designations | | | Mass kg | Basic load ratings ¹⁾ | | | |
|---|-----------------------------|---|------------|----------------------------------|--------|---------------------------------|--------|
| Self-aligning LBCD bearing inside with shields | with double lip seal | Stainless steel variant of self-aligning LBCD bearing inside with double lip seal | | dynamic C min N | max | static C ₀ min | max |
| – | | | | | | | |
| LTCD 12 D ⁿ⁾ | LTCD 12 D-2LS ^{s)} | LTCD 12 D-2LS/HV6 ⁿ⁾ | 0,248 | 1 290 | 2 000 | 1 140 | 1 860 |
| LTCD 16 D ⁿ⁾ | LTCD 16 D-2LS ^{s)} | LTCD 16 D-2LS/HV6 ⁿ⁾ | 0,385 | 1 530 | 2 280 | 1 320 | 2 120 |
| LTCD 20 D ⁿ⁾ | LTCD 20 D-2LS ^{s)} | LTCD 20 D-2LS/HV6 ⁿ⁾ | 0,694 | 2 800 | 4 150 | 2 240 | 3 600 |
| LTCD 25 D ⁿ⁾ | LTCD 25 D-2LS ^{s)} | LTCD 25 D-2LS/HV6 ⁿ⁾ | 1,278 | 4 250 | 6 200 | 2 850 | 4 650 |
| LTCD 30 D ⁿ⁾ | LTCD 30 D-2LS ^{s)} | LTCD 30 D-2LS/HV6 ⁿ⁾ | 1,938 | 6 200 | 9 150 | 4 650 | 7 500 |
| LTCD 40 D ⁿ⁾ | LTCD 40 D-2LS ^{s)} | LTCD 40 D-2LS/HV6 ⁿ⁾ | 3,669 | 10 600 | 15 600 | 6 700 | 11 400 |
| LTCD 50 ⁿ⁾ | LTCD 50-2LS ^{s)} | LTCD 50-2LS/HV6 ⁿ⁾ | 5,930 | 12 900 | 18 300 | 8 300 | 14 000 |

LTCD PA

| Designations | Mass kg | Basic load ratings | | static ²⁾ C ₀ |
|----------------------------------|------------|---------------------------------|----------|--|
| | | dynamic C at 0,1 m/s N | at 4 m/s | |
| LPAR linear plain bearing inside | | | | |
| – | | | | |
| LTCD 12 PA ⁿ⁾ | 0,228 | 2 120 | 52 | 7 300 |
| LTCD 16 PA ⁿ⁾ | 0,365 | 3 360 | 86 | 11 700 |
| LTCD 20 PA ⁿ⁾ | 0,640 | 5 400 | 136 | 19 000 |
| LTCD 25 PA ⁿ⁾ | 1,176 | 8 800 | 220 | 30 600 |
| LTCD 30 PA ⁿ⁾ | 1,778 | 12 000 | 300 | 41 600 |
| LTCD 40 PA ⁿ⁾ | 3,397 | 17 300 | 432 | 60 000 |
| LTCD 50 PA ⁿ⁾ | 5,670 | 25 400 | 640 | 90 000 |

ⁿ⁾ Delivery time on request

^{s)} Delivery time usually 10 days for max. quantity of 4; larger quantities on request

¹⁾ Basic load ratings are valid for bearing steel and stainless steel variants, but they must be reduced if stainless steel shafts are used

²⁾ Valid if the loads onto the housing are exclusively in direction of red arrow. See dimensional drawing on left page

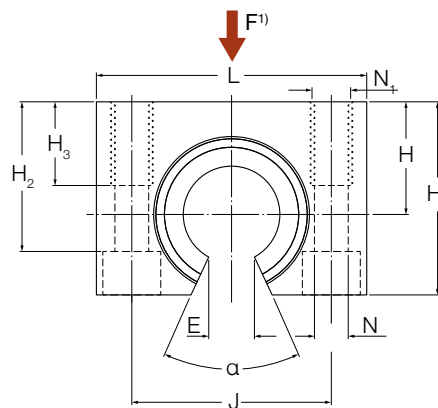
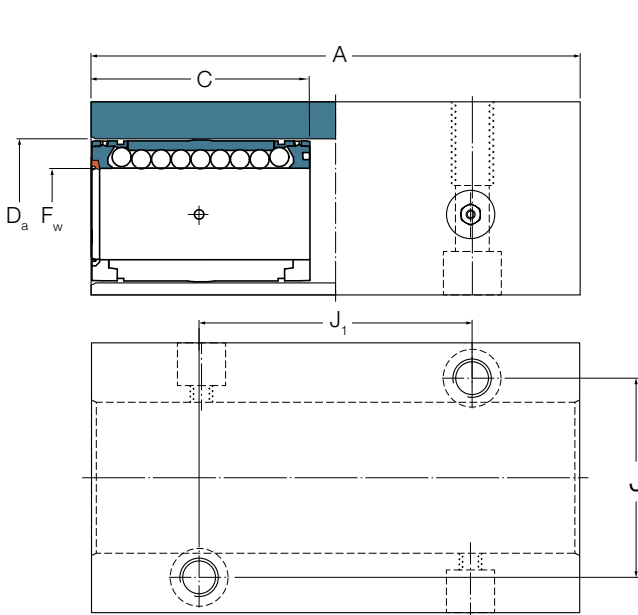
3.4.10 Standard tandem units - LTCT/LTCF

- LTCT with rigid LBCT bearing
 - LTCF with self-aligning LBCF bearing
 - LTCT PA with LPAT linear plain bearing
- Open design in sizes from 12 mm to 50 mm
 - Aluminium housing with 2 mounted bearings
 - Available as sealed or shielded variant
 - Available as bearing steel (standard) or stainless steel variant
 - Factory pre-lubricated with SKF LGEP 2 grease, ready for use
 - Equipped with grease fitting
 - Able to bolt from top or bottom side

Please find suitable shaft blocks or shaft supports in **chapter 3.6** and shafts in **chapter 3.7**



Pictured is LTCF 30 D-2LS ²⁾



Picture shows LTCF D with double lip seals on the outside ²⁾

Dimensions

| F _w mm | A | C | D _a | H | H ₁ | H ₂ | H ₃ | J | J ₁ | L | N ³⁾ | N ₁ - | E ⁴⁾ mm | α Deg. |
|----------------------|-----|-----|----------------|----|----------------|----------------|----------------|-----|----------------|-----|-----------------|---------------------|-----------------------|-----------|
| 12 | 76 | 32 | 22 | 18 | 29 | 23,5 | 13 | 30 | 40 | 42 | 5,3 | M6 | 8 | 78 |
| 16 | 84 | 36 | 26 | 22 | 35 | 28 | 13 | 36 | 45 | 50 | 5,3 | M6 | 10 | 78 |
| 20 | 104 | 45 | 32 | 25 | 42 | 33,5 | 18 | 45 | 55 | 60 | 6,4 | M8 | 11 | 60 |
| 25 | 130 | 58 | 40 | 30 | 51 | 40 | 22 | 54 | 70 | 74 | 8,4 | M10 | 13 | 60 |
| 30 | 152 | 68 | 47 | 35 | 60 | 46,5 | 26 | 62 | 85 | 84 | 10,5 | M12 | 14 | 50 |
| 40 | 176 | 80 | 62 | 45 | 77 | 61 | 34 | 80 | 100 | 108 | 13 | M16 | 19 | 50 |
| 50 | 224 | 100 | 75 | 50 | 88 | 72 | 34 | 100 | 125 | 130 | 13 | M16 | 23,6 | 50 |

¹⁾ Direction for max. load ratings

²⁾ Picture with non D-series bearing or plain bearing differs

³⁾ For cylinder head screws with internal hexagon according to ISO 4762

⁴⁾ Minimum sector width at diameter F_w

LTCT

| Designations | | | Mass kg | Basic load ratings ¹⁾ | | | |
|-------------------------------------|-----------------------------|--|------------|----------------------------------|--------|---------------------------------|--------|
| LBCT bearing inside with shields | with double lip seal | Stainless steel variant of LBCT bearing inside with double lip seal | | dynamic C min N | max | static C ₀ min | max |
| – | | | | | | | |
| LTCT 12 D ⁿ⁾ | LTCT 12 D-2LS ⁿ⁾ | LTCT 12 D-2LS/HV6 ⁿ⁾ | 0,189 | 1 120 | 2 000 | 1 020 | 2 040 |
| LTCT 16 D ⁿ⁾ | LTCT 16 D-2LS ⁿ⁾ | LTCT 16 D-2LS/HV6 ⁿ⁾ | 0,296 | 1 250 | 2 450 | 1 180 | 2 750 |
| LTCT 20 D ⁿ⁾ | LTCT 20 D-2LS ⁿ⁾ | LTCT 20 D-2LS/HV6 ⁿ⁾ | 0,646 | 3 000 | 5 200 | 2 700 | 5 400 |
| LTCT 25 D ^{u)} | LTCT 25 D-2LS ^{u)} | LTCT 25 D-2LS/HV6 ^{u)} | 1,004 | 4 400 | 7 500 | 4 000 | 8 000 |
| LTCT 30 D ⁿ⁾ | LTCT 30 D-2LS ⁿ⁾ | LTCT 30 D-2LS/HV6 ⁿ⁾ | 1,548 | 6 700 | 11 600 | 6 000 | 12 000 |
| LTCT 40 D ^{u)} | LTCT 40 D-2LS ^{u)} | LTCT 40 D-2LS/HV6 ^{u)} | 2,918 | 10 400 | 18 000 | 8 500 | 17 000 |
| LTCT 50 ⁿ⁾ | LTCT 50-2LS ⁿ⁾ | LTCT 50-2LS/HV6 ⁿ⁾ | 4,880 | 9 500 | 21 600 | 10 600 | 24 500 |

LTCF

| Designations | | | Mass kg | Basic load ratings ¹⁾ | | | |
|---|-----------------------------|---|------------|----------------------------------|--------|---------------------------------|--------|
| Self-aligning LBCF bearing inside with shields | with double lip seal | Stainless steel variant of self-aligning LBCF bearing inside with double lip seal | | dynamic C min N | max | static C ₀ min | max |
| – | | | | | | | |
| LTCF 12 D ⁿ⁾ | LTCF 12 D-2LS ^{s)} | LTCF 12 D-2LS/HV6 ⁿ⁾ | 0,189 | 980 | 1 760 | 830 | 1 700 |
| LTCF 16 D ⁿ⁾ | LTCF 16 D-2LS ^{s)} | LTCF 16 D-2LS/HV6 ⁿ⁾ | 0,296 | 1 080 | 2 160 | 965 | 2 240 |
| LTCF 20 D ⁿ⁾ | LTCF 20 D-2LS ^{s)} | LTCF 20 D-2LS/HV6 ⁿ⁾ | 0,644 | 2 360 | 4 050 | 1 830 | 3 660 |
| LTCF 25 D ^{u)} | LTCF 25 D-2LS ^{u)} | LTCF 25 D-2LS/HV6 ^{u)} | 1,000 | 3 750 | 6 300 | 2 450 | 4 900 |
| LTCF 30 D ⁿ⁾ | LTCF 30 D-2LS ^{s)} | LTCF 30 D-2LS/HV6 ⁿ⁾ | 1,544 | 5 300 | 9 300 | 3 900 | 7 800 |
| LTCF 40 D ^{u)} | LTCF 40 D-2LS ^{u)} | LTCF 40 D-2LS/HV6 ^{u)} | 2,910 | 9 000 | 15 300 | 6 000 | 11 800 |
| LTCF 50 ⁿ⁾ | LTCF 50-2LS ^{s)} | LTCF 50-2LS/HV6 ⁿ⁾ | 4,840 | 8 000 | 18 300 | 6 000 | 14 000 |

LTCT PA

| Designations | Mass kg | Basic load ratings | | static ²⁾ C ₀ |
|----------------------------------|------------|---------------------------------|----------|--|
| | | dynamic C at 0,1 m/s N | at 4 m/s | |
| LPAT linear plain bearing inside | | | | |
| – | | | | |
| LTCT 12 PA ⁿ⁾ | 0,173 | 2 120 | 52 | 7 300 |
| LTCT 16 PA ⁿ⁾ | 0,280 | 3 360 | 86 | 117 00 |
| LTCT 20 PA ⁿ⁾ | 0,600 | 5 400 | 136 | 19 000 |
| LTCT 25 PA ⁿ⁾ | 0,916 | 8 800 | 220 | 30 600 |
| LTCT 30 PA ⁿ⁾ | 1,412 | 12 000 | 300 | 41 600 |
| LTCT 40 PA ⁿ⁾ | 2,684 | 17 300 | 432 | 60 000 |
| LTCT 50 PA ⁿ⁾ | 4,640 | 25 400 | 640 | 90 000 |

ⁿ⁾ Delivery time on request

^{s)} Delivery time usually 10 days for max. quantity of 4; larger quantities on request

^{u)} Size 25 available from Q1/2021; Size 40 under development; A-design units of both sizes are available until replacement

¹⁾ Basic load ratings are valid for bearing steel and stainless steel variants, but they must be reduced if stainless steel shafts are used

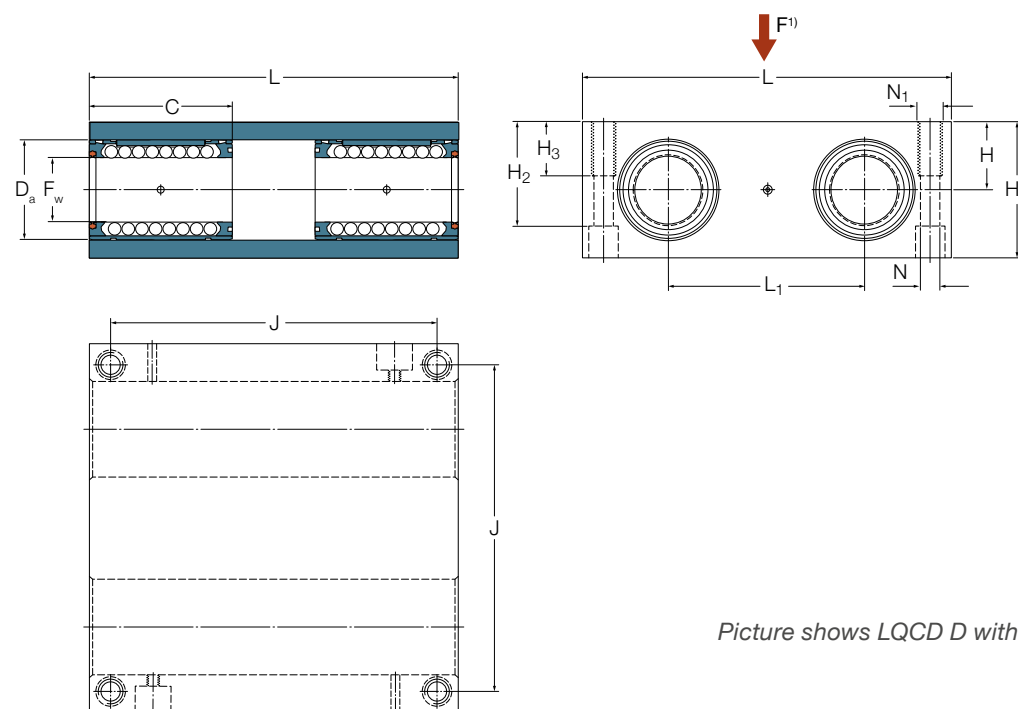
²⁾ Valid if the loads onto the housing are exclusively in direction of red arrow. See dimensional drawing on left page

3.4.11 Standard quadro units - LQCR/LQCD

- LQCR with rigid LBCR bearing
 - LQCD with self-aligning LBCD bearing
 - LQCR PA with LPAR linear plain bearing
- Closed design in sizes from 8 mm to 50 mm
 - Aluminium housing with 4 mounted bearings
 - Available as sealed or shielded variant
 - Available as bearing steel (standard) or stainless steel variant
 - Factory pre-lubricated with SKF LGEP 2 grease, ready for use
 - Equipped with grease fitting
 - Able to bolt from top or bottom side



Please find suitable shaft blocks or shaft supports in **chapter 3.6** and shafts in **chapter 3.7**



Pictured is LQCD 30 D-2LS ²⁾

Picture shows LQCD D with double lip seals on the outside ²⁾

Dimensions

| F_w | C | D_a | H $\pm 0,01$ | H_1 | H_2 | H_3 | J | L | L_1 | N ³⁾ | N_1 |
|-------|-----|-------|-------------------|-------|-------|-------|-----|-----|-------|-------------------|-------|
| mm | | | | | | | | | | | - |
| 8 | 25 | 16 | 11,5 | 23 | 17,5 | 11 | 55 | 65 | 32 | 4,3 | M5 |
| 12 | 32 | 22 | 16 | 32 | 25 | 13 | 73 | 85 | 42 | 5,3 | M6 |
| 16 | 36 | 26 | 18 | 36 | 29 | 13 | 88 | 100 | 54 | 5,3 | M6 |
| 20 | 45 | 32 | 23 | 46 | 37,5 | 18 | 115 | 130 | 72 | 6,6 | M8 |
| 25 | 58 | 40 | 28 | 56 | 45 | 22 | 140 | 160 | 88 | 8,4 | M10 |
| 30 | 68 | 47 | 32 | 64 | 50,5 | 26 | 158 | 180 | 96 | 10,5 | M12 |
| 40 | 80 | 62 | 40 | 80 | 64 | 34 | 202 | 230 | 122 | 13,5 | M16 |
| 50 | 100 | 75 | 48 | 96 | 80 | 34 | 250 | 280 | 152 | 13,5 | M16 |

¹⁾ Direction for max. load ratings

²⁾ Picture with non D-series bearing or plain bearing differs

³⁾ For 4 cylinder head screws with internal hexagon according to ISO 4762

LQCR

| Designations | | | Mass | Basic load ratings ¹⁾ | | | |
|-------------------------------------|-----------------------------|---|--------|----------------------------------|--------|--------------------------|--------|
| LQCR bearing inside with shields | with double lip seal | Stainless steel variant of LQCR bearing with double lip seal | | dynamic C | max | static C ₀ | max |
| – | | | kg | min N | | min | |
| LQCR 8 ^{2) n)} | LQCR 8-2LS ^{2) n)} | LQCR 8-2LS/HV6 ^{2) n)} | 0,219 | 1 290 | 1 500 | 1 430 | 2 000 |
| LQCR 12 D ⁿ⁾ | LQCR 12 D-2LS ⁿ⁾ | LQCR 12 D-2LS/HV6 ⁿ⁾ | 0,513 | 2 450 | 3 600 | 2 800 | 4 500 |
| LQCR 16 D ⁿ⁾ | LQCR 16 D-2LS ⁿ⁾ | LQCR 16 D-2LS/HV6 ⁿ⁾ | 0,768 | 2 850 | 4 250 | 3 200 | 5 200 |
| LQCR 20 D ⁿ⁾ | LQCR 20 D-2LS ⁿ⁾ | LQCR 20 D-2LS/HV6 ⁿ⁾ | 1,731 | 5 850 | 8 650 | 6 550 | 10 600 |
| LQCR 25 D ⁿ⁾ | LQCR 25 D-2LS ⁿ⁾ | LQCR 25 D-2LS/HV6 ⁿ⁾ | 3,112 | 8 150 | 12 000 | 9 500 | 15 300 |
| LQCR 30 D ⁿ⁾ | LQCR 30 D-2LS ⁿ⁾ | LQCR 30 D-2LS/HV6 ⁿ⁾ | 4,419 | 12 700 | 18 600 | 14 300 | 22 800 |
| LQCR 40 D ⁿ⁾ | LQCR 40 D-2LS ⁿ⁾ | LQCR 40 D-2LS/HV6 ⁿ⁾ | 8,642 | 20 000 | 30 000 | 20 400 | 33 500 |
| LQCR 50 ⁿ⁾ | LQCR 50-2LS ⁿ⁾ | LQCR 50-2LS/HV6 ⁿ⁾ | 15,090 | 25 500 | 35 500 | 29 000 | 49 000 |

LQCD

| Designations | | | Mass | Basic load ratings ¹⁾ | | | |
|---|----------------------|---|--------|----------------------------------|--------|--------------------------|--------|
| Self-aligning LQCD bearing inside with shields | with double lip seal | Stainless steel variant of self-aligning LQCD bearing inside with double lip seal | | dynamic C | max | static C ₀ | max |
| – | | | kg | min N | | min | |
| LQCD 12 D ⁿ⁾ | LQCD 12 D-2LS | LQCD 12 D-2LS/HV6 ⁿ⁾ | 0,513 | 2 120 | 3 200 | 2 280 | 3 750 |
| LQCD 16 D ⁿ⁾ | LQCD 16 D-2LS | LQCD 16 D-2LS/HV6 ⁿ⁾ | 0,764 | 2 500 | 3 650 | 2 600 | 4 250 |
| LQCD 20 D ⁿ⁾ | LQCD 20 D-2LS | LQCD 20 D-2LS/HV6 ⁿ⁾ | 1,727 | 4 550 | 6 700 | 4 500 | 7 200 |
| LQCD 25 D ⁿ⁾ | LQCD 25 D-2LS | LQCD 25 D-2LS/HV6 ⁿ⁾ | 3,104 | 6 800 | 10 000 | 5 700 | 9 300 |
| LQCD 30 D ⁿ⁾ | LQCD 30 D-2LS | LQCD 30 D-2LS/HV6 ⁿ⁾ | 4,411 | 10 000 | 14 600 | 9 300 | 15 000 |
| LQCD 40 D ⁿ⁾ | LQCD 40 D-2LS | LQCD 40 D-2LS/HV6 ⁿ⁾ | 8,614 | 17 300 | 25 500 | 13 400 | 22 800 |
| LQCD 50 ⁿ⁾ | LQCD 50-2LS | LQCD 50-2LS/HV6 ⁿ⁾ | 15,010 | 2 1200 | 30 000 | 16 600 | 28 000 |

LQCR PA

| Designations | Mass | Basic load ratings | | static ³⁾ C ₀ |
|----------------------------------|--------|--------------------|----------|--|
| LQCR linear plain bearing inside | | dynamic C | | |
| – | kg | at 0,1 m/s N | at 4 m/s | |
| LQCR 8 PA ⁿ⁾ | 0,203 | 2 280 | 56 | 8 000 |
| LQCR 12 PA ⁿ⁾ | 0,473 | 4 240 | 104 | 14 600 |
| LQCR 16 PA ⁿ⁾ | 0,724 | 6 720 | 172 | 23 400 |
| LQCR 20 PA ⁿ⁾ | 1,619 | 10 800 | 272 | 38 000 |
| LQCR 25 PA ⁿ⁾ | 2,900 | 17 600 | 440 | 61 200 |
| LQCR 30 PA ⁿ⁾ | 4,091 | 24 000 | 600 | 83 200 |
| LQCR 40 PA ⁿ⁾ | 8,070 | 34 600 | 864 | 120 000 |
| LQCR 50 PA ⁿ⁾ | 14,490 | 50 800 | 1 280 | 180 000 |

Items without letter footnote are usually available from stock.

ⁿ⁾ Delivery time on request

¹⁾ Delivery time usually 10 days for max. quantity of 4; larger quantities on request

¹⁾ Basic load ratings are valid for bearing steel and stainless steel variants, but they must be reduced if stainless steel shafts are used

²⁾ Units in size 8 mm are without relubrication

³⁾ Valid if the loads onto the housing are exclusively in direction of red arrow. See dimensional drawing on left page

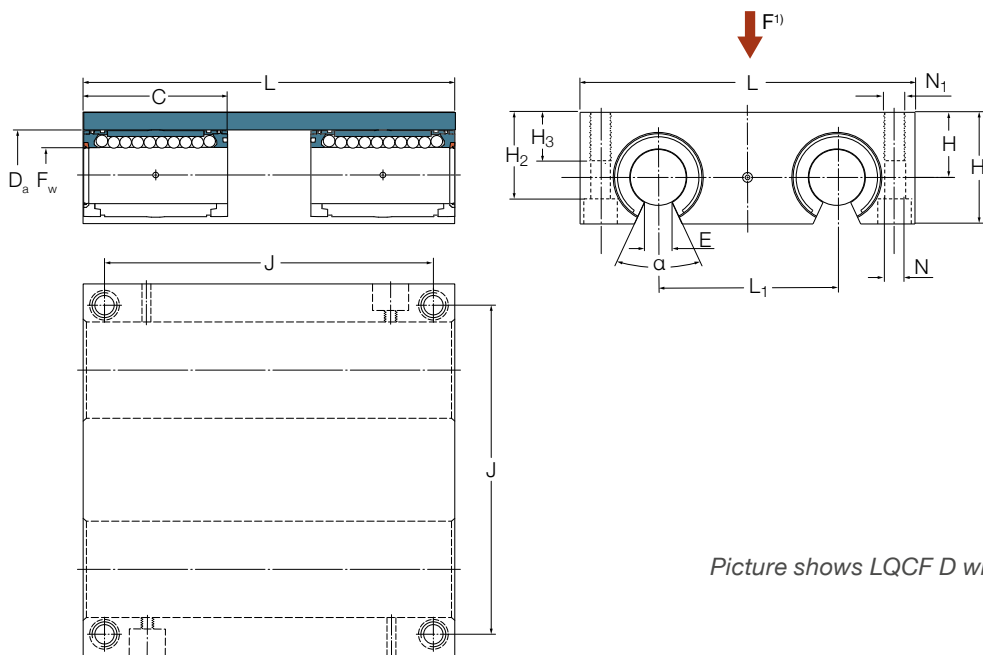
3.4.12 Standard quadro units - LQCT/LQCF

- LQCT with rigid LBCT bearing
 - LQCF with self-aligning LBCF bearing
 - LQCT PA with LPAT linear plain bearing
- Open design in sizes from 12 mm to 50 mm
 - Aluminium housing with 4 mounted bearings
 - Available as sealed or shielded variant
 - Available as bearing steel (standard) or stainless steel variant
 - Factory pre-lubricated with SKF LGEP 2 grease, ready for use
 - Equipped with grease fitting
 - Able to bolt from top or bottom side



Please find suitable shaft blocks or shaft supports in **chapter 3.6** and shafts in **chapter 3.7**

Pictured is LQCF 30 D-2LS ²⁾



Picture shows LQCF D with double lip seals on the outside ²⁾

Dimensions

| F_w | C | D_a | $H \pm 0,01$ | H_1 | H_2 | H_3 | J | L | L_1 | $N^{3)}$ | N_1 | $E^{4)}$ | α |
|-------|-----|-------|--------------|-------|-------|-------|-----|-----|-------|----------|-------|----------|----------|
| mm | | | | | | | | | | | - | mm | Deg. |
| 12 | 32 | 22 | 18 | 30 | 23,4 | 13 | 73 | 85 | 42 | 5,3 | M6 | 8 | 78 |
| 16 | 36 | 26 | 22 | 35 | 28,4 | 13 | 88 | 100 | 54 | 5,3 | M6 | 10 | 78 |
| 20 | 45 | 32 | 25 | 42 | 33,5 | 18 | 115 | 130 | 72 | 6,6 | M8 | 11 | 60 |
| 25 | 58 | 40 | 30 | 51 | 40 | 22 | 140 | 160 | 88 | 8,4 | M10 | 13 | 60 |
| 30 | 68 | 47 | 35 | 60 | 46,5 | 26 | 158 | 180 | 96 | 10,5 | M12 | 14 | 50 |
| 40 | 80 | 62 | 45 | 77 | 61 | 34 | 202 | 230 | 122 | 13,5 | M16 | 19 | 50 |
| 50 | 100 | 75 | 55 | 93 | 77 | 34 | 250 | 280 | 152 | 13,5 | M16 | 23,6 | 50 |

¹⁾ Direction for max. load ratings
²⁾ Picture with non D-series bearing or plain bearing differs
³⁾ For cylinder head screws with internal hexagon according to ISO 4762
⁴⁾ Minimum sector width at diameter F_w

LQCT

| Designations | | | Mass kg | Basic load ratings ¹⁾ | | | |
|-------------------------------------|-----------------------------|--|------------|----------------------------------|--------|---------------------------------|--------|
| LBCT bearing inside with shields | with double lip seal | Stainless steel variant of LBCT bearing inside with double lip seal | | dynamic C min N | max | static C ₀ min | max |
| – | – | – | – | – | – | – | – |
| LQCT 12 D ⁿ⁾ | LQCT 12 D-2LS ⁿ⁾ | LQCT 12 D-2LS/HV6 ⁿ⁾ | 0,444 | 1 830 | 3 200 | 2 040 | 4 050 |
| LQCT 16 D ⁿ⁾ | LQCT 16 D-2LS ⁿ⁾ | LQCT 16 D-2LS/HV6 ⁿ⁾ | 0,710 | 2 000 | 4 000 | 2 360 | 5 500 |
| LQCT 20 D ⁿ⁾ | LQCT 20 D-2LS ⁿ⁾ | LQCT 20 D-2LS/HV6 ⁿ⁾ | 1,458 | 4 900 | 8 500 | 5 400 | 10 800 |
| LQCT 25 D ^{u)} | LQCT 25 D-2LS ^{u)} | LQCT 25 D-2LS/HV6 ^{u)} | 2,654 | 7 100 | 12 200 | 8 000 | 16 000 |
| LQCT 30 D ⁿ⁾ | LQCT 30 D-2LS ⁿ⁾ | LQCT 30 D-2LS/HV6 ⁿ⁾ | 3,918 | 11 000 | 19 000 | 12 000 | 24 000 |
| LQCT 40 D ^{u)} | LQCT 40 D-2LS ^{u)} | LQCT 40 D-2LS/HV6 ^{u)} | 8,078 | 17 000 | 29 000 | 17 000 | 34 000 |
| LQCT 50 ⁿ⁾ | LQCT 50-2LS ⁿ⁾ | LQCT 50-2LS/HV6 ⁿ⁾ | 14,060 | 15 300 | 35 500 | 21 200 | 49 000 |

LQCF

| Designations | | | Mass kg | Basic load ratings ¹⁾ | | | |
|---|-----------------------------|---|------------|----------------------------------|--------|---------------------------------|--------|
| Self-aligning LBCF bearing inside with shields | with double lip seal | Stainless steel variant of self-aligning LBCF bearing inside with double lip seal | | dynamic C min N | max | static C ₀ min | max |
| – | – | – | – | – | – | – | – |
| LQCF 12 D ⁿ⁾ | LQCF 12 D-2LS ^{s)} | LQCF 12 D-2LS/HV6 ⁿ⁾ | 0,444 | 1 600 | 2 850 | 1 660 | 3 400 |
| LQCF 16 D ⁿ⁾ | LQCF 16 D-2LS ^{s)} | LQCF 16 D-2LS/HV6 ⁿ⁾ | 0,71 | 1 760 | 3 450 | 1 930 | 4 500 |
| LQCF 20 D ⁿ⁾ | LQCF 20 D-2LS ^{s)} | LQCF 20 D-2LS/HV6 ⁿ⁾ | 1,454 | 3 900 | 6 550 | 3 650 | 7 350 |
| LQCF 25 D ^{u)} | LQCF 25 D-2LS ^{u)} | LQCF 25 D-2LS/HV6 ^{u)} | 2,646 | 6 000 | 10 200 | 4 900 | 9 800 |
| LQCF 30 D ⁿ⁾ | LQCF 30 D-2LS ^{s)} | LQCF 30 D-2LS/HV6 ⁿ⁾ | 3,91 | 8 650 | 15 000 | 7 800 | 15 600 |
| LQCF 40 D ^{u)} | LQCF 40 D-2LS ^{u)} | LQCF 40 D-2LS/HV6 ^{u)} | 8,062 | 14 600 | 25 000 | 12 000 | 23 600 |
| LQCF 50 ⁿ⁾ | LQCF 50-2LS ^{s)} | LQCF 50-2LS/HV6 ⁿ⁾ | 13,98 | 12 900 | 30 000 | 12 000 | 28 000 |

LQCT PA

| Designations | Mass kg | Basic load ratings | | static ²⁾ C ₀ |
|----------------------------------|------------|---------------------------------|----------|--|
| | | dynamic C at 0,1 m/s N | at 4 m/s | |
| LPAT linear plain bearing inside | – | – | – | – |
| – | – | – | – | – |
| LQCT 12 PA ⁿ⁾ | 0,412 | 4 240 | 104 | 14 600 |
| LQCT 16 PA ⁿ⁾ | 0,678 | 6 720 | 172 | 23 400 |
| LQCT 20 PA ⁿ⁾ | 1,366 | 10 800 | 272 | 38 000 |
| LQCT 25 PA ⁿ⁾ | 2,478 | 17 600 | 440 | 61 200 |
| LQCT 30 PA ⁿ⁾ | 3,646 | 24 000 | 600 | 83 200 |
| LQCT 40 PA ⁿ⁾ | 7,610 | 34 600 | 864 | 120 000 |
| LQCT 50 PA ⁿ⁾ | 13,580 | 50 800 | 1 280 | 180 000 |

ⁿ⁾ Delivery time on request^{s)} Delivery time usually 10 days for max. quantity of 4; larger quantities on request^{u)} Size 25 available from Q1/2021; Size 40 under development; A-design units of both sizes are available until replacement¹⁾ Basic load ratings are valid for bearing steel and stainless steel variant, but they must be reduced if stainless steel shafts are used²⁾ Valid if the loads onto the housing are exclusively in direction of red arrow. See dimensional drawing on left page

3.5 Standard housings

Linear ball bearings must be mounted into housings for proper usage. This combination is called linear bearing unit and the previous chapters show the range of units available. For flexible use, Ewellix offers single lightweight aluminium housings as component. The housings are ready machined to be equipped with Ewellix standard bearings. The high

quality design has a defined reference side for linear alignment. It offers flexible installation and bolting possibilities depending on the application. The axial and radial bearing fixation is made for standard ISO bearings. With each housing, Ewellix delivers a grease fitting for the bearing fixation. Three types of housing variants are available.

LHCR



Lightweight linear bearing housing in closed design. Available in sizes from 8 mm to 80 mm for standard bearings. Easy to bolt from top or bottom surface, with a reference side for linear alignment. Made for bearing fixation via grease fitting for lubrication, except in size 8 mm.

LHCS



Lightweight linear bearing housing in slotted design for adjustable clearance. Available in sizes from 8 mm to 80 mm for standard bearings. Easy to bolt from top or bottom surface, with a reference side for linear alignment. Made for bearing fixation via grease fitting for lubrication, except in size 8 mm.

LHCT



Lightweight linear bearing housing in open design. Available in sizes from 12 mm to 80 mm for standard bearings. Easy to bolt from top or bottom surface, with a reference side for linear alignment. Made for bearing fixation via grease fitting for lubrication.

3.5.1 Standard housings - LHCR/LHCS

- LHCR in closed design
- LHCS in slotted design for adjustable clearance

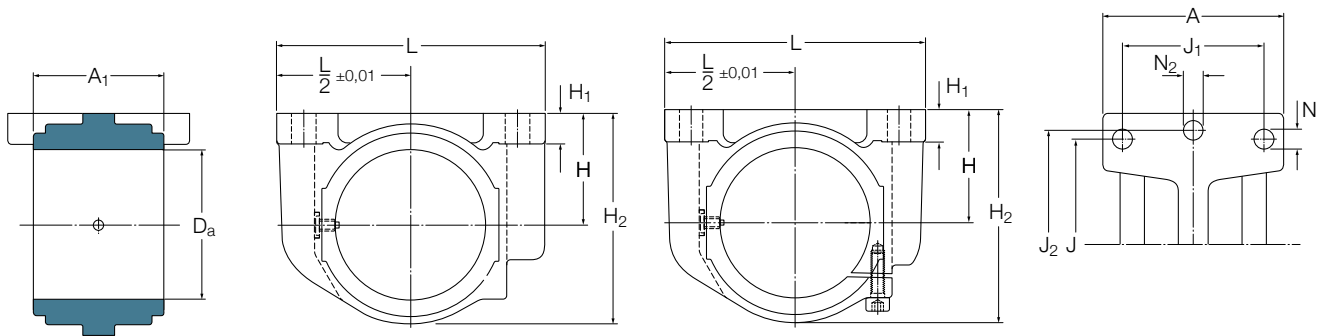
- Closed and slotted design in sizes from 8 mm to 80 mm
- Lightweight die-cast aluminium housing
- Able to bolt from top or bottom side
- With reference side for linear alignment
- Supplied with grease fitting for lubrication and axial bearing fixation



Pictured is LHCR 30

Pictured is LHCS 30

Please find suitable shaft blocks or shaft supports in **chapter 3.6** and shafts in **chapter 3.7**



Dimensions

| D_a Tolerance J6 mm | A | A_1 | H $\pm 0,01$ | H_1 | H_2 | J | J_1 | J_2 | $L^{1)}$ | $N^{2)}$ | $N_2^{2)}$ |
|-----------------------------|-----|-------|-----------------|-------|-------|-----|-------|-------|----------|----------|------------|
| 16 | 27 | 14 | 15 | 5,5 | 28 | 25 | 20 | 35 | 45 | 3,2 | 5,3 |
| 22 | 31 | 20 | 18 | 6 | 34,5 | 32 | 23 | 42 | 52 | 4,3 | 5,3 |
| 26 | 35 | 22 | 22 | 7 | 40,5 | 40 | 26 | 46 | 56 | 4,3 | 5,3 |
| 32 | 41 | 28 | 25 | 8 | 48 | 45 | 32 | 58 | 70 | 4,3 | 6,4 |
| 40 | 52 | 40 | 30 | 10 | 58 | 60 | 40 | 68 | 80 | 5,3 | 6,4 |
| 47 | 59 | 48 | 35 | 10 | 67 | 68 | 45 | 76 | 88 | 6,4 | 6,4 |
| 62 | 74 | 56 | 45 | 12 | 85 | 86 | 58 | 94 | 108 | 8,4 | 8,4 |
| 75 | 66 | 72 | 50 | 14 | 99 | 108 | 50 | 116 | 135 | 8,4 | 10,5 |
| 90 | 84 | 95 | 60 | 18 | 118 | 132 | 65 | 138 | 160 | 10,5 | 13 |
| 120 | 113 | 125 | 80 | 22 | 158 | 170 | 90 | 180 | 205 | 13 | 13 |

| Designations | Designations slotted | Mass kg | Grease fitting | Screw ISO 4762 (only LHCS) |
|-----------------------|-----------------------|------------|----------------|----------------------------|
| - | | | - | |
| LHCR 8 ³⁾ | LHCS 8 ³⁾ | 0,018 | - | M3 |
| LHCR 12 ³⁾ | LHCS 12 ³⁾ | 0,038 | VN-LHC 20 | M3 |
| LHCR 16 ³⁾ | LHCS 16 ³⁾ | 0,05 | VN-LHC 20 | M3 |
| LHCR 20 ³⁾ | LHCS 20 ³⁾ | 0,1 | VN-LHC 20 | M4 |
| LHCR 25 ³⁾ | LHCS 25 ³⁾ | 0,2 | VN-LHC 40 | M5 |
| LHCR 30 ³⁾ | LHCS 30 ³⁾ | 0,28 | VN-LHC 40 | M6 |
| LHCR 40 ³⁾ | LHCS 40 ³⁾ | 0,47 | VN-LHC 40 | M6 |
| LHCR 50 ³⁾ | LHCS 50 ³⁾ | 0,76 | VN-LHC 50 | M8 |
| LHCR 60 ³⁾ | LHCS 60 ³⁾ | 1,35 | VN-LHC 80 | M10 |
| LHCR 80 ³⁾ | LHCS 80 ³⁾ | 3,25 | VN-LHC 80 | M12 |

¹⁾ For housings from size 50 to 80: Tolerance $L/2 \pm 0,02$

²⁾ For cylinder head screws with internal hexagon according to ISO 4762

³⁾ Delivery time usually 10 days for max. quantity of 4; larger quantities on request

3.5.2 Standard housings - LHCT

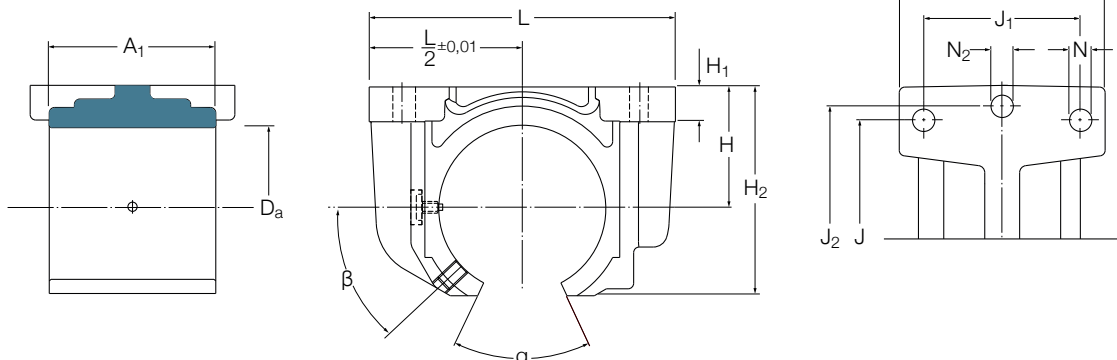
- LHCT in open design

- Open design in sizes from 12 mm to 80 mm
- Lightweight die-cast aluminium housing
- Able to bolt from top or bottom side
- With reference side for linear alignment
- Supplied with grease fitting for lubrication and axial bearing fixation
- Possibility of adjustable clearance with Ewellix bearings



Please find suitable shaft blocks or shaft supports in **chapter 3.6** and shafts in **chapter 3.7**

Pictured is LHCT 30



| Dimensions | | | | | | | | | | | | | |
|-----------------------------|------|-------|-----------------|-------|-------|-----|-------|-------|----------|----------|------------|----------|---------|
| D_a Tolerance J6 mm | A | A_1 | H $\pm 0,01$ | H_1 | H_2 | J | J_1 | J_2 | $L^{1)}$ | $N^{2)}$ | $N_2^{2)}$ | α | β |
| | | | | | | | | | | | | | Deg. |
| 22 | 31 | 20 | 18 | 6 | 28 | 32 | 23 | 42 | 52 | 4,3 | 5,3 | 78 | 29 |
| 26 | 34,5 | 22 | 22 | 7 | 35 | 40 | 26 | 46 | 56 | 4,3 | 5,3 | 78 | 27,6 |
| 32 | 41 | 28 | 25 | 8 | 42 | 45 | 32 | 58 | 70 | 4,3 | 6,4 | 60 | 42 |
| 40 | 52 | 40 | 30 | 10 | 51 | 60 | 40 | 68 | 80 | 5,3 | 6,4 | 60 | 43 |
| 47 | 59 | 48 | 35 | 10 | 60 | 68 | 45 | 76 | 88 | 6,4 | 6,4 | 50 | 43,6 |
| 62 | 74 | 56 | 45 | 12 | 77 | 86 | 58 | 94 | 108 | 8,4 | 8,4 | 50 | 42,5 |
| 75 | 66 | 72 | 50 | 14 | 88 | 108 | 50 | 116 | 135 | 8,4 | 10,5 | 50 | 30 |
| 90 | 84 | 95 | 60 | 18 | 105 | 132 | 65 | 138 | 160 | 10,5 | 13,0 | 54 | 30 |
| 120 | 113 | 125 | 80 | 22 | 140 | 170 | 90 | 180 | 205 | 13,0 | 13,0 | 54 | 30 |

| Designations | Mass kg | Grease fitting | Grub screw ISO 4026 |
|---------------------------|------------|----------------|---------------------|
| - | | - | |
| LHCT 12 D ^{s)3)} | 0,034 | VN-LHC 20 | M3 |
| LHCT 16 D ^{s)3)} | 0,045 | VN-LHC 20 | M3 |
| LHCT 20 D ^{s)3)} | 0,092 | VN-LHC 20 | M5 |
| LHCT 25 D ^{u)3)} | 0,18 | VN-LHC 40 | M5 |
| LHCT 30 D ^{s)3)} | 0,25 | VN-LHC 40 | M5 |
| LHCT 40 D ^{u)3)} | 0,41 | VN-LHC 40 | M5 |
| LHCT 50 ^{s)} | 0,67 | VN-LHC 50 | M6 |
| LHCT 60 ^{s)} | 1,18 | VN-LHC 80 | M8 |
| LHCT 80 ^{s)} | 2,86 | VN-LHC 80 | M8 |

¹⁾ For housings from size 50 to 80: Tolerance $L/2 \pm 0,02$
²⁾ For cylinder head screws with internal hexagon according to ISO 4762
³⁾ Adjustable clearance only for D-type bearings (example LBCT 16 D-2LS)
⁴⁾ Delivery time usually 10 days for max. quantity of 4; larger quantities on request
^{u)} Under development, A-series linear ball bearings of that size are available

3.6 Shaft blocks and shaft supports

Shaft blocks and supports are standard components to easily build up linear slides. Single shaft blocks are supposed to be used for closed design linear units with flexible shaft distance and length. In standard applications, they fix the end of the shaft to the surface. Tandem blocks

are specifically made for Ewellix quadro units to allow for easy installation. Shaft supports are used for open design linear units and typically support the entire length of the shaft to avoid bending. They are all made out of aluminium based material.

LSCS



LSCS are lightweight die-cast shaft blocks to be used for compact or standard range units. These blocks securely fasten the shaft position. They can be bolted from top or bottom side and have a reference side for linear alignment. LSCS shaft blocks are available for shaft diameters from 8 mm to 80 mm.

LSHS/LSNS



LSHS and LSNS shaft blocks are made of aluminium and securely fasten the shaft position. LSHS blocks are designed to be used with Ewellix compact range units, while LSNS blocks are made to fit to the design of the standard range units. They can be bolted from both sides to the mounting surface and are available from 12 mm to 50 mm.

LEBS/LEAS



LEBS tandem aluminium shaft blocks are made to match with duo or quadro units of the compact range, like LTDR and LQBR. The “A” design is made for moving slides where the tandem blocks are fixed to the surface. They are available from size 12 mm to 50 mm. LEAS tandem aluminium shaft blocks are designed to match with quadro units of the standard range, like LQCR and LQCD. They are available in both “A” and “B” design, from shaft diameter 8 mm to 50 mm. Compared to the “A” design where the slide is moving and the shafts are fixed, the “B” design allows shaft movement while the quadro unit is fixed.

LRCB/LRCC



Shaft supports type LRCB/LRCC are suitable for standard range open design units where the shaft support avoids bending of the shaft with heavy loads. Aluminium shaft supports can be used partially, but Ewellix recommends using them over the entire shaft length. The LRCB design has a predrilled hole pattern for mounting and direct bolting to Ewellix standard shafts ESSC 6, please see **chapter 3.7**, while LRCC has ready machined tolerances prepared for customised mounting holes. Ewellix shaft supports are offered from size 12 mm to 80 mm.

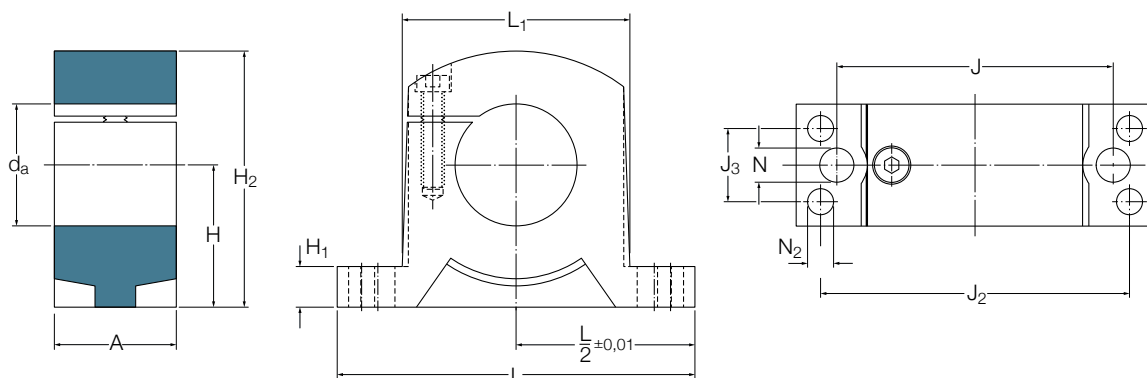
3.6.1 Shaft blocks - LSCS

- LSCS for compact or standard range

- Sizes from 8 mm to 80 mm
- Lightweight die-cast aluminium shaft block
- Shaft clamping screw direction from the top
- Able to bolt from top or bottom side to the surface
- Two different hole patterns for fixation
- Reference surface for linear alignment
- Precise and safe shaft fixation to the surface



Pictured is LSCS 20



| Dimensions | | | | | | | | | | | | Designations | Mass | |
|------------|----|-----------------|-------|-------|-----|-------|-------|----------|-------|----------|------------|--------------|-------|--|
| d_a | A | H $\pm 0,01$ | H_1 | H_2 | J | J_2 | J_3 | $L^{1)}$ | L_1 | $N^{2)}$ | $N_2^{2)}$ | Shaft block | kg | |
| mm | | | | | | | | | | | | | - | |
| 8 | 10 | 15 | 5,5 | 25 | 25 | 35 | 5 | 45 | 19 | 4,3 | 2,7 | LSCS 8 | 0,012 | |
| 12 | 12 | 20 | 6 | 32,5 | 32 | 42 | 6 | 52 | 25 | 5,3 | 3,2 | LSCS 12 | 0,023 | |
| 16 | 15 | 20 | 7 | 35,5 | 40 | 46 | 7,5 | 56 | 31,8 | 5,3 | 4,3 | LSCS 16 | 0,034 | |
| 20 | 20 | 25 | 8 | 43,5 | 45 | 58 | 10 | 70 | 37 | 5,3 | 5,3 | LSCS 20 | 0,065 | |
| 25 | 28 | 30 | 10 | 53 | 60 | 68 | 16 | 80 | 48 | 6,4 | 6,4 | LSCS 25 | 0,14 | |
| 30 | 30 | 35 | 10 | 63 | 68 | 76 | 18 | 88 | 56 | 8,4 | 6,4 | LSCS 30 | 0,20 | |
| 40 | 36 | 45 | 12 | 81 | 86 | 94 | 22 | 108 | 71 | 10,5 | 8,4 | LSCS 40 | 0,47 | |
| 50 | 49 | 50 | 14 | 92,5 | 108 | 116 | 30 | 135 | 86 | 10,5 | 10,5 | LSCS 50 | 0,68 | |
| 60 | 62 | 60 | 18 | 112 | 132 | 138 | 40 | 160 | 105 | 13 | 13 | LSCS 60 | 1,29 | |
| 80 | 85 | 80 | 22 | 147,5 | 170 | 180 | 60 | 205 | 136 | 17 | 15 | LSCS 80 | 3,01 | |

Items are usually available from stock.

¹⁾ For shaft blocks from size 50 to 80: Tolerance $L/2 \pm 0,02$

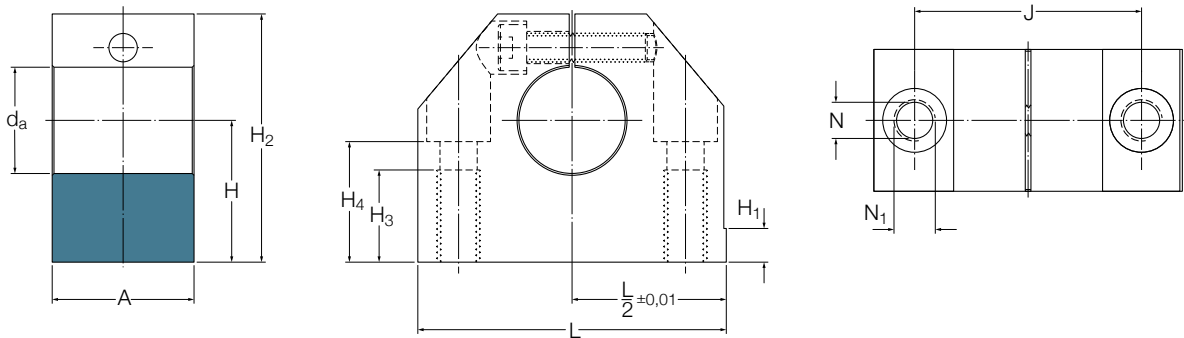
²⁾ For cylinder head screws with internal hexagon according to ISO 4762

3.6.2 Compact shaft blocks - LSHS

- Sizes from 12 mm to 50 mm
- Shaft clamping screw direction from the side
- Able to bolt from top or bottom side to the surface
- Reference surface for linear alignment
- Precise and safe shaft fixation to the surface
- Material: aluminium



Pictured is LSHS 20



| Dimensions | | | | | | | | | | | Designations | Mass | ISO series |
|------------|----|-----------------|-------|-------|-------|-------|----|-----|----------|-------|--------------|------|------------|
| d_a | A | H $\pm 0,01$ | H_1 | H_2 | H_3 | H_4 | J | L | $N^{1)}$ | N_1 | Shaft block | kg | - |
| mm | | | | | | | | | | - | | | |
| 12 | 18 | 19 | - | 33 | 13 | 16,5 | 27 | 40 | 5,3 | M6 | LSHS 12 | 0,05 | 1 |
| 16 | 20 | 22 | - | 38 | 13 | 18 | 32 | 45 | 5,3 | M6 | LSHS 16 | 0,07 | 1 |
| 20 | 24 | 25 | - | 45 | 18 | 21 | 39 | 53 | 6,6 | M8 | LSHS 20 | 0,11 | 1 |
| 25 | 28 | 31 | - | 54 | 22 | 25 | 44 | 62 | 8,4 | M10 | LSHS 25 | 0,17 | 1 |
| 30 | 30 | 34 | - | 60 | 22 | 29 | 49 | 67 | 8,4 | M10 | LSHS 30 | 0,22 | 1 |
| 40 | 40 | 42 | - | 76 | 26 | 37 | 66 | 87 | 10,5 | M12 | LSHS 40 | 0,47 | 1 |
| 50 | 50 | 50 | - | 92 | 34 | 44 | 80 | 103 | 13,5 | M16 | LSHS 50 | 0,82 | 1 |

Items are usually available from stock.

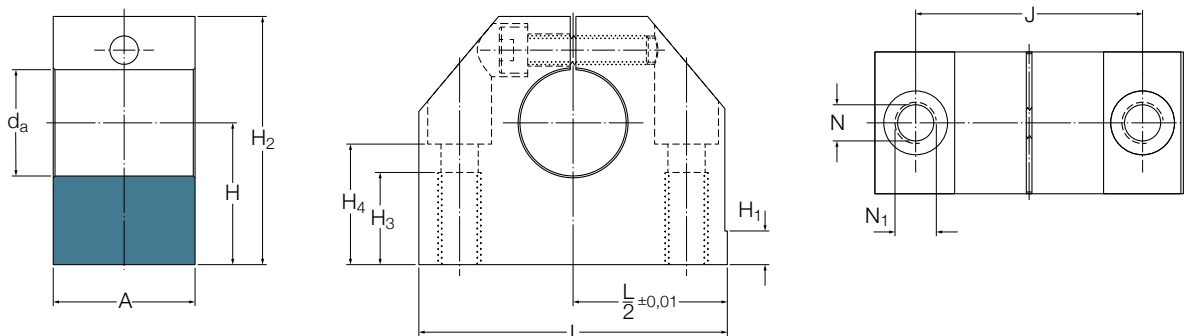
¹⁾For cylinder head screws with internal hexagon according to ISO 4762

3.6.3 Standard shaft blocks - LSNS

- Sizes from 12 mm to 50 mm
- Shaft clamping screw direction from the side
- Able to bolt from top or bottom side to the surface
- Reference surface for linear alignment
- Precise and safe shaft fixation to the surface
- Material: aluminium



Pictured is LSNS 20



| Dimensions | | | | | | | | | | | Designations | Mass | ISO series |
|------------|----|-----------------|-------|-------|-------|-------|-----|----------|----------|-------|--------------|------|------------|
| d_a | A | H $\pm 0,01$ | H_1 | H_2 | H_3 | H_4 | J | $L^{2)}$ | $N^{1)}$ | N_1 | Shaft block | kg | - |
| mm | | | | | | | | | | | | | |
| 12 | 20 | 20 | 6 | 35 | 13 | 16,5 | 30 | 43 | 5,3 | M6 | LSNS 12 | 0,06 | 3 |
| 16 | 24 | 25 | 7 | 42 | 18 | 21 | 38 | 53 | 6,6 | M8 | LSNS 16 | 0,11 | 3 |
| 20 | 30 | 30 | 7,5 | 50 | 22 | 25 | 42 | 60 | 8,4 | M10 | LSNS 20 | 0,17 | 3 |
| 25 | 38 | 35 | 8,5 | 61 | 26 | 30 | 56 | 78 | 10,5 | M12 | LSNS 25 | 0,34 | 3 |
| 30 | 40 | 40 | 9,5 | 70 | 26 | 34 | 64 | 87 | 10,5 | M12 | LSNS 30 | 0,46 | 3 |
| 40 | 48 | 50 | 11 | 90 | 34 | 44 | 82 | 108 | 13,5 | M16 | LSNS 40 | 0,90 | 3 |
| 50 | 58 | 60 | 11 | 105 | 43 | 49 | 100 | 132 | 17,5 | M20 | LSNS 50 | 1,45 | 3 |

Items are usually available from stock.

¹⁾ For cylinder head screws with internal hexagon according to ISO 4762

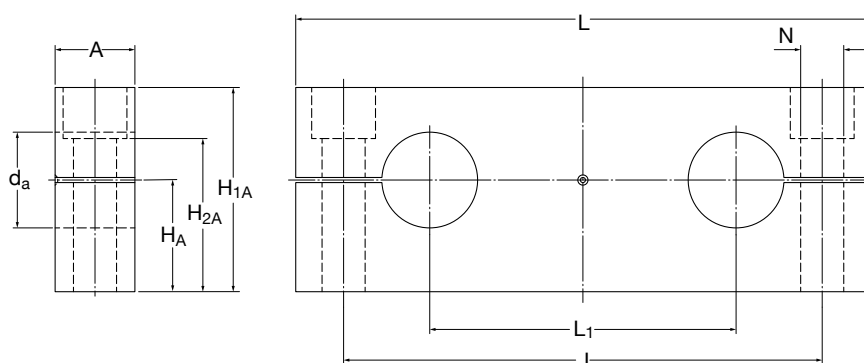
²⁾ Tolerance $L/2 \pm 0,01$

3.6.4 Compact tandem shaft blocks - LEBS

- Designed for compact duo LTDR or quadro units LQBR
- Supports easy building up of linear slides
- Sizes from 12 mm to 50 mm
- Shaft clamping and bolt direction from the top
- Precise and safe shaft fixation to the surface
- Material: aluminium



Pictured is LEBS 30 A



| Dimensions | | | | | | | | | Designations | Mass | ISO series |
|------------|----|-------|-------------|----------|-----|-----|-------|-----------------|-----------------------------|----------|------------|
| d_a | A | H_A | H_{1A} | H_{2A} | J | L | L_1 | N ¹⁾ | Tandem shaft block Design A | Design A | |
| mm | | | $\pm 0,015$ | | | | | | – | kg | – |
| 12 | 15 | " | 30 | 21,5 | 64 | 80 | 40 | 6,6 | LEBS 12 A ^{s)} | 0,08 | 1 |
| 16 | 15 | 19,5 | 35 | 26,5 | 80 | 96 | 52 | 6,6 | LEBS 16 A ^{s)} | 0,11 | 1 |
| 20 | 18 | 22 | 40 | 29 | 97 | 115 | 63 | 9 | LEBS 20 A ^{s)} | 0,17 | 1 |
| 25 | 20 | 27 | 50 | 36,5 | 115 | 136 | 75 | 11 | LEBS 25 A ^{s)} | 0,28 | 1 |
| 30 | 20 | 31 | 56 | 42,5 | 125 | 146 | 80 | 11 | LEBS 30 A ^{s)} | 0,32 | 1 |
| 40 | 25 | 38 | 70 | 54 | 160 | 184 | 97 | 13,5 | LEBS 40 A ^{s)} | 0,63 | 1 |
| 50 | 30 | 43 | 80 | 59 | 180 | 210 | 107 | 17,5 | LEBS 50 A ^{s)} | 0,79 | 1 |

^{s)} Delivery time usually 10 days for max. quantity of 4; larger quantities on request

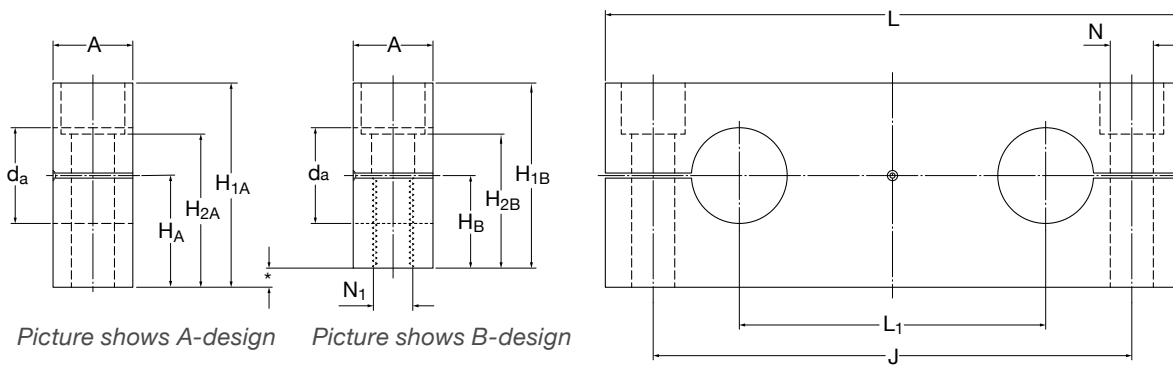
¹⁾ For cylinder head screws with internal hexagon according to ISO 4762

3.6.5 Standard tandem shaft blocks- LEAS

- Designed for standard quadro units LQCR or LQCD
- Supports easy building up of linear slides
- Sizes from size 8 mm to 50 mm in aluminium material
- Shaft clamping and bolt direction from the top
- Precise and safe shaft fixation to the surface
- LEAS A variant for moving quadro slide and fixed shaft blocks to surface
- LEAS B variant for moving shaft blocks and fixed quadro unit



Pictured is LEAS 30



Picture shows A-design

Picture shows B-design

Dimensions

| d_a | A | H_A $\pm 0,015$ | H_{1A} | H_{2A} | H_B $\pm 0,015$ | H_{1B} | H_{2B} | J | L | L_1 | $N^{1)}$ | N_1 |
|-------|----|----------------------|----------|----------|----------------------|----------|----------|-----|-----|-------|----------|-------|
| mm | | | | | | | | | | | | - |
| 8 | 12 | 12,5 | 23 | 16 | 11 | 22 | 15 | 52 | 65 | 32 | 5,5 | M5 |
| 12 | 14 | 18 | 32 | 23,5 | 14 | 28 | 19,5 | 70 | 85 | 42 | 6,6 | M6 |
| 16 | 18 | 20 | 37 | 26,5 | 17 | 34 | 23,5 | 82 | 100 | 54 | 9 | M8 |
| 20 | 20 | 25 | 46 | 32,5 | 21 | 42 | 28,5 | 108 | 130 | 72 | 11 | M10 |
| 25 | 25 | 30 | 56 | 40 | 26 | 52 | 36 | 132 | 160 | 88 | 13,5 | M12 |
| 30 | 25 | 35 | 64 | 48 | 29 | 58 | 42 | 150 | 180 | 96 | 13,5 | M12 |
| 40 | 30 | 44 | 80 | 59 | 36 | 72 | 51 | 190 | 230 | 122 | 17,5 | M16 |
| 50 | 30 | 52 | 96 | 75 | 44 | 88 | 67 | 240 | 280 | 152 | 17,5 | M16 |

Designations

Tandem shaft block
Design

| Design | B | Mass | ISO series |
|-------------------------|-------------------------|--------|------------|
| A | | Design | |
| - | | A | B |
| | | kg | |
| LEAS 8 A ^{s)} | LEAS 8 B ^{s)} | 0,04 | 0,04 |
| LEAS 12 A ^{s)} | LEAS 12 B ^{s)} | 0,09 | 0,07 |
| LEAS 16 A ^{s)} | LEAS 16 B ^{s)} | 0,14 | 0,13 |
| LEAS 20 A ^{s)} | LEAS 20 B ^{s)} | 0,25 | 0,22 |
| LEAS 25 A ^{s)} | LEAS 25 B ^{s)} | 0,47 | 0,44 |
| LEAS 30 A ^{s)} | LEAS 30 B ^{s)} | 0,62 | 0,56 |
| LEAS 40 A ^{s)} | LEAS 40 B ^{s)} | 1,15 | 1,00 |
| LEAS 50 A ^{s)} | LEAS 50 B ^{s)} | 1,70 | 1,52 |

^{s)} Delivery time usually 10 days for max. quantity of 4; larger quantities on request

¹⁾ For cylinder head screws with internal hexagon according to ISO 4762

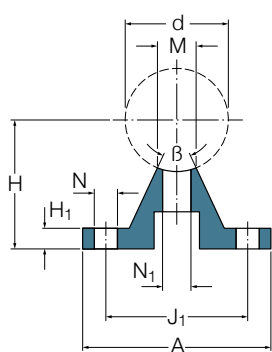
3.6.6 Standard shaft supports - LRCB/LRCC

- LRCB with mounting holes
- LRCC without mounting holes

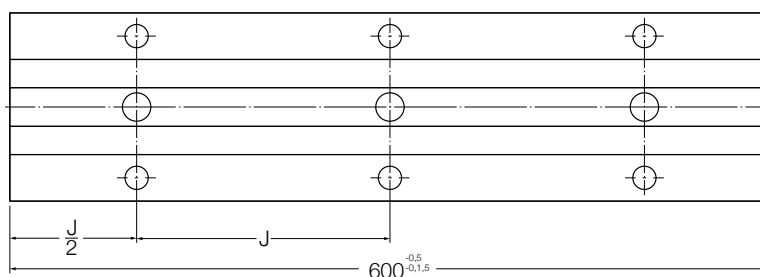
- Designed for all open type linear bearings and units
- Sizes from size 12 mm to 50 mm in aluminium material
- For complete or partial shaft support
- Able to bolt from top or bottom side to the surface
- LRCB with Ewellix standard shaft hole pattern ESSC6 (↳ **chapter 3.7**)
- LRCC machined for customised hole patterns



Pictured is LRCB



Picture shows LRCB



| Dimensions | | | | | | | | | |
|------------|-----|------------|----------------|-----|----------------|------|-----------------|------------------------------|------|
| d | A | H ±0,02 | H ₁ | J | J ₁ | M | N ¹⁾ | N ₁ ¹⁾ | β |
| mm | | | | | | | | | Deg. |
| 12 | 40 | 22 | 5 | 75 | 29 | 5,8 | 4,5 | 4,5 | 50 |
| 16 | 45 | 26 | 5 | 100 | 33 | 7 | 5,5 | 5,5 | 50 |
| 20 | 52 | 32 | 6 | 100 | 37 | 8,3 | 6,6 | 6,6 | 50 |
| 25 | 57 | 36 | 6 | 120 | 42 | 10,8 | 6,6 | 9 | 50 |
| 30 | 69 | 42 | 7 | 150 | 51 | 11 | 9 | 11 | 50 |
| 40 | 73 | 50 | 8 | 200 | 55 | 15 | 9 | 11 | 50 |
| 50 | 84 | 60 | 9 | 200 | 63 | 19 | 11 | 13 | 46 |
| 60 | 94 | 68 | 10 | 300 | 72 | 25 | 11 | 15,5 | 46 |
| 80 | 116 | 86 | 12 | 300 | 92 | 34 | 13 | 17,5 | 46 |

| Designations | | Mass | Mass | Shaft attachment screw ¹⁾ |
|---------------------|------------------------|------|------|--------------------------------------|
| with mounting holes | without mounting holes | LRCB | LRCC | |
| - | - | kg | kg | - |
| LRCB 12 | LRCC 12 ^{s)} | 0,44 | 0,46 | M4×16 |
| LRCB 16 | LRCC 16 ^{s)} | 0,55 | 0,56 | M5×20 |
| LRCB 20 | LRCC 20 ^{s)} | 0,8 | 0,81 | M6×25 |
| LRCB 25 | LRCC 25 ^{s)} | 0,9 | 0,92 | M8×25 |
| LRCB 30 | LRCC 30 ^{s)} | 1,13 | 1,18 | M10×30 |
| LRCB 40 | LRCC 40 ^{s)} | 1,6 | 1,62 | M10×35 |
| LRCB 50 | LRCC 50 ^{s)} | 2,1 | 2,16 | M12×40 |
| LRCB 60 | LRCC 60 ^{s)} | 2,37 | 2,41 | M14×45 |
| LRCB 80 | LRCC 80 ^{s)} | 4,9 | 4,99 | M16×55 |

Items without letter footnote are usually available from stock.

^{s)} Delivery time usually 10 days for max. quantity of 4; larger quantities on request

¹⁾ LRCB has holes for cylinder head screws with internal hexagon according to ISO 4762

3.7 Precision shafts

Ewellix precision shafts are high quality linear guide products for linear ball bearing use. Precision shafts have exceptionally high dimensional stability and are designed for long service life.

Shafts are induction hardened and ground, round steel bars, dimensionally made for the Ewellix linear ball bearing range. Precision shaft tolerances have a direct impact on the operating clearance of a linear bearing system. The hardness of the shaft plays a significant role in the rating life calculation. As shafts are the “inner ring of the linear bearing”, the quality

of these shafts matters for the safety and service life of your machines and devices.

Ewellix’s shaft range supports nearly every linear ball bearing application in material, dimensions and variants. The shafts are manufactured at long lengths to have best service and availability. Ewellix has defined standard shaft machinings and designated them as ESSC (Ewellix Standard Shaft Configurations) for convenient selection and order handling (↳ **chapter 3.7.7**).

3.7.1 Shaft types and material

| Shaft type | Material description | | Steel designation | | Size range | Hardness | Surface roughness Ra | Diameter tolerance | Factor for hardness of shaft ²⁾ | |
|------------|----------------------|---|-----------------------------------|------|------------|----------|----------------------|--------------------|--|-----------------|
| - | | | EN | AISI | mm | HRC | µm | - | f _h | f _{h0} |
| LJM | solid | high grade steel | 1.1213 (Cf53) ¹⁾ | 1055 | 3 – 80 | 62 ±2 | 0,3 | h6 | 1,00 | 1,00 |
| LJMR | solid | high alloy stainless steel | 1.4112 (X90CrMoV18) ¹⁾ | 440B | 3 – 60 | 54 ±2 | 0,3 | h6 | 0,69 | 0,582 |
| LJMS | solid | high alloy stainless steel | 1.4034 (X46Cr13) ¹⁾ | 420 | 6 – 60 | 53 ±2 | 0,3 | h6 | 0,66 | 0,532 |
| LJMH | solid | high grade steel, hard chrome plated 10-15 µm | 1.1213 (Cf53) ¹⁾ | 1055 | 5 – 80 | 62 ±2 | 0,3 | h7 | 1,00 | 1,00 |
| LJT | hollow | high grade steel | 1.3505 (100Cr6) ¹⁾ | 5210 | 12 – 80 | 62 ±2 | 0,3 | h6 | 1,00 | 1,00 |

¹⁾ or equal

²⁾ valid for minimal hardness values



3.7.2 Shaft hardness and depth

All Ewellix precision shafts are induction hardened. The hardness mainly depends on the material. The hardness per shaft type and the factors for hardness, influencing the rating life, are listed in **chapter 3.7.1**. The hardness depth is linked to the shaft size. Ewellix has defined the minimum hardness depths per shaft size in the table below. The hardness depth may also be higher than indicated in the table, please consider that influence on the machinability of the shafts. The ends of uncut shafts in production length may deviate in hardness and dimensional accuracy.

| Hardness depths of shafts | | |
|---------------------------|-------|---------------------|
| Shaft diameter from mm | up to | Hardness depth min. |
| 3 | 10 | 0,4 |
| 12 | 16 | 0,6 |
| 20 | 30 | 0,9 |
| 40 | 50 | 1,5 |
| 60 | 80 | 2,2 |

Please be aware that all tolerances as well as the hardness and roughness of shafts have a great impact on the service life of your linear ball bearings. The influence is explained in the linear bearing rating life calculations in **chapter 2.2.3**.

3.7.4 Precision shaft length

| Maximum length and general length tolerance per shaft type | | | | | | |
|--|------------------------------|-------|-------|-------|-------|-------------------------------------|
| Shaft diameter mm | Maximum length ¹⁾ | | | | | Length tolerance for maximum length |
| | LJM | LJMR | LJMS | LJMH | LJT | |
| 3 ²⁾ | 1 000 | 300 | – | – | – | ±1,5 |
| 4 ²⁾ | 3 000 | 3 000 | – | – | – | ±1,5 |
| 5 | 3 000 | 3 000 | – | 3 000 | – | ±1,5 |
| 6 | 3 000 | 3 000 | 3 000 | 3 000 | – | ±1,5 |
| 8 | 3 000 | 3 000 | 3 000 | 3 000 | – | ±1,5 |
| 10 | 3 000 | 3 000 | 3 000 | 3 000 | – | ±1,5 |
| 12 | 6 000 | 6 000 | 6 000 | 6 000 | 6 000 | ±1,5 |
| 14 | 6 000 | 6 000 | 6 000 | 6 000 | – | ±1,5 |
| 16 | 6 000 | 6 000 | 6 000 | 6 000 | 6 000 | ±1,5 |
| 20 | 6 000 | 6 000 | 6 000 | 6 000 | 6 000 | ±1,5 |
| 25 | 6 000 | 6 000 | 6 000 | 6 000 | 6 000 | ±1,5 |
| 30 | 6 000 | 6 000 | 6 000 | 6 000 | 6 000 | ±1,5 |
| 40 | 6 000 | 6 000 | 6 000 | 6 000 | 6 000 | ±1,5 |
| 50 | 6 000 | 6 000 | 6 000 | 6 000 | 6 000 | ±1,5 |
| 60 | 6 000 | 6 000 | 6 000 | 6 000 | 6 000 | ±1,5 |
| 80 | 6 000 | – | – | 6 000 | 6 000 | ±1,5 |

¹⁾ Maximum shaft length with both ends cut, means no deviation of hardness or dimensional accuracy.

²⁾ Only available as ESSC 2, see **chapter 3.7.7**

3.7.3 Shaft corrosion resistance and protection

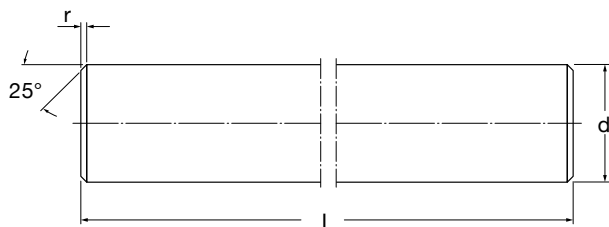
The Ewellix linear ball bearing range is available as a stainless steel variant in most types. The shaft range offers different types of high alloy stainless steel material or corrosion protection. Three types of material for corrosion protection are available:

- LJMR, a high alloy stainless steel shaft with high hardness, good wear resistance. This material is resistant to moderately aggressive media. This material is best for long corrosion resistance at high service life.
- LJMS, a high alloy stainless steel shaft like LJMR but with less hardness. This material is best for economic corrosion and media resistance.
- LJMH, a hard chrome plated, high grade steel shaft with excellent surface hardness due to the chrome layer. The corrosion resistance is along the chrome layer and does not exist at the cut surfaces. This material has medium corrosion resistance along the outside shape of the shaft.

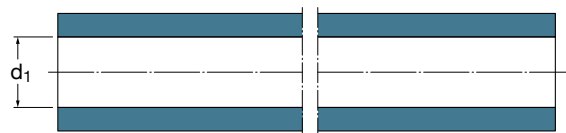
Corrosion protection and packaging

Ewellix precision shafts are treated with a rust inhibiting preservative that must be removed before the shafts are installed. Depending on size and quantity, precision shafts are supplied in cardboard or wooden boxes that offer maximum protection during transport. Please contact us for special freight conditions, like overseas shipping.

3.7.5 Technical data of precision shafts



Picture shows solid shaft with shafting standard ESSC 3



Picture shows hollow shaft with shafting standard ESSC 1

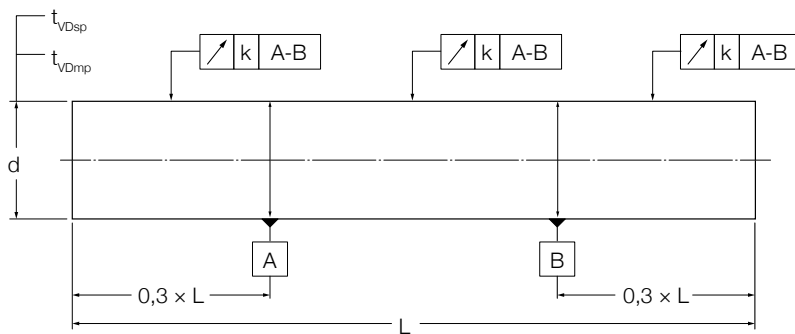
| Dimensions | | | Mass | | Moment of inertia | | Cross sectional area | | Designation | | | | |
|------------|------------------|-----------------|-------------|--------------|-------------------|--------------|----------------------|--------------|-------------|---------|---------|--------------|--------|
| d | d ₁ | r ¹⁾ | Solid shaft | Hollow shaft | Solid shaft | Hollow shaft | Solid shaft | Hollow shaft | Solid shaft | | | Hollow shaft | |
| mm | | | kg/m | | cm ⁴ | | mm ² | | - | | | | |
| 3 | - | 0,4 | 0,06 | - | 0,0004 | - | 7,1 | - | LJM 3 | LJMR 3 | - | - | - |
| 4 | - | 0,4 | 0,1 | - | 0,0013 | - | 12,6 | - | LJM 4 | LJMR 4 | - | - | - |
| 5 | - | 0,8 | 0,15 | - | 0,0031 | - | 19,6 | - | LJM 5 | LJMR 5 | - | LJMH 5 | - |
| 6 | - | 0,8 | 0,22 | - | 0,0064 | - | 28,3 | - | LJM 6 | LJMR 6 | LJMS 6 | LJMH 6 | - |
| 8 | - | 0,8 | 0,39 | - | 0,02 | - | 50,3 | - | LJM 8 | LJMR 8 | LJMS 8 | LJMH 8 | - |
| 10 | - | 0,8 | 0,62 | - | 0,049 | - | 78,5 | - | LJM 10 | LJMR 10 | LJMS 10 | LJMH 10 | - |
| 12 | 4 | 1 | 0,89 | 0,79 | 0,102 | 0,1 | 113 | 101 | LJM 12 | LJMR 12 | LJMS 12 | LJMH 12 | LJT 12 |
| 14 | - | 1 | 1,21 | - | 0,189 | - | 154 | - | LJM 14 | LJMR 14 | LJMS 14 | LJMH 14 | - |
| 16 | 7 | 1 | 1,58 | 1,28 | 0,322 | 0,31 | 201 | 163 | LJM 16 | LJMR 16 | LJMS 16 | LJMH 16 | LJT 16 |
| 20 | 14 | 1,5 | 2,47 | 1,25 | 0,785 | 0,597 | 314 | 160 | LJM 20 | LJMR 20 | LJMS 20 | LJMH 20 | LJT 20 |
| 25 | 16 ²⁾ | 1,5 | 3,86 | 2,35 | 1,92 | 1,64 | 491 | 305 | LJM 25 | LJMR 25 | LJMS 25 | LJMH 25 | LJT 25 |
| 30 | 18 | 1,5 | 5,55 | 3,5 | 3,98 | 3,46 | 707 | 453 | LJM 30 | LJMR 30 | LJMS 30 | LJMH 30 | LJT 30 |
| 40 | 28 ²⁾ | 2 | 9,86 | 4,99 | 12,6 | 9,96 | 1 260 | 685 | LJM 40 | LJMR 40 | LJMS 40 | LJMH 40 | LJT 40 |
| 50 | 30 | 2 | 15,4 | 9,91 | 30,7 | 27,7 | 1 960 | 1 350 | LJM 50 | LJMR 50 | LJMS 50 | LJMH 50 | LJT 50 |
| 60 | 36 | 2,5 | 22,2 | 14,2 | 63,6 | 57,1 | 2 830 | 1 920 | LJM 60 | LJMR 60 | LJMS 60 | LJMH 60 | LJT 60 |
| 80 | 57 | 2,5 | 39,5 | 19,43 | 201 | 153 | 5 030 | 2 565 | LJM 80 | - | - | LJMH 80 | LJT 80 |

¹⁾The values r given in that table represent the minimum values of r.

²⁾d₁ can deviate from the given value. Please enquire if necessary

3.7.6 Tolerances of precision shafts

All Ewellix precision shafts are supplied in high quality tolerance h6 as standard. Only hard chrome plated shafts LJMH are supplied in tolerance h7. The accuracy of dimensions and form are in the table below. When shafts are annealed and machined, there may be slight deviations from the values provided in the tables for those sections. The length tolerance of shafts cut to length is $\pm 1,5$ mm as standard.



Picture shows definition of tolerances according to ISO 13012-1

| Shaft Nominal diameter | Accuracy of dimension and form | | | | | | | | | |
|---------------------------|---|-------------|------------|------------|---------------------------|---|-------------|------------|------------|---------------------------|
| | Shafts in tolerance h6 | | | | | Shafts in tolerance h7 | | | | |
| d mm | $t_{\Delta ds}$ upper limit μm | lower limit | t_{VDsp} | t_{VDmp} | k run-out $\mu m/m$ | $t_{\Delta ds}$ upper limit μm | lower limit | t_{VDsp} | t_{VDmp} | k run-out $\mu m/m$ |
| 3 | 0 | -6 | 3 | 4 | 150 | 0 | -10 | 4 | 6 | 150 |
| 4 | 0 | -8 | 4 | 5 | 150 | 0 | -12 | 5 | 8 | 150 |
| 5 | 0 | -8 | 4 | 5 | 150 | 0 | -12 | 5 | 8 | 150 |
| 6 | 0 | -8 | 4 | 5 | 150 | 0 | -12 | 5 | 8 | 150 |
| 8 | 0 | -9 | 4 | 6 | 120 | 0 | -15 | 6 | 9 | 120 |
| 10 | 0 | -9 | 4 | 6 | 120 | 0 | -15 | 6 | 9 | 120 |
| 12 | 0 | -11 | 5 | 8 | 100 | 0 | -18 | 8 | 11 | 100 |
| 14 | 0 | -11 | 5 | 8 | 120 | 0 | -18 | 8 | 11 | 120 |
| 16 | 0 | -11 | 5 | 8 | 100 | 0 | -18 | 8 | 11 | 100 |
| 20 | 0 | -13 | 6 | 9 | 100 | 0 | -21 | 9 | 13 | 100 |
| 25 | 0 | -13 | 6 | 9 | 100 | 0 | -21 | 9 | 13 | 100 |
| 30 | 0 | -13 | 6 | 9 | 100 | 0 | -21 | 9 | 13 | 100 |
| 40 | 0 | -16 | 7 | 11 | 100 | 0 | -25 | 11 | 16 | 100 |
| 50 | 0 | -16 | 7 | 11 | 100 | 0 | -25 | 11 | 16 | 100 |
| 60 | 0 | -19 | 8 | 13 | 100 | 0 | -30 | 13 | 19 | 100 |
| 80 | 0 | -19 | 8 | 13 | 100 | 0 | -30 | 13 | 19 | 100 |

$t_{\Delta ds}$ deviation of a single outside diameter of shaft
 t_{VDsp} variation of outside diameter of shaft in a single plane (former roundness)
 t_{VDmp} variation of mean outside diameter of shaft (former cylindricity)
 k run-out

3.7.7 Machined precision shafts

Ewellix Shaft Standard Configuration - ESSC

For machined shafts, Ewellix has defined standard configurations widely used in linear ball bearing applications. It mainly specifies how both shaft ends and solutions with radial holes for shaft support look like. These standard choices have to be mentioned in the ordering key of a shaft. For example, the designation for a shaft with 20 mm diameter cut to a length of 1,5 m and with chamfers, is LJM 20x1500 ESSC 2. For customised shaft solutions according to customer drawing, the suffix is ESSC 10 in the ordering key.

Precision shafts with radial holes

For open type linear ball bearings, shafts with radial holes mounted on shaft supports are needed. Ewellix has defined a design standard for radial threads and distances for easy documentation and the definition of a connection of shafts with shaft supports. Shaft supports are shown in **chapter 3.6.6**. The radial holes may be either positioned to fit Ewellix shaft supports (suffix ESSC 6) or as specified by the customer (suffix ESSC 7). Also, use the values for thread size and depth from adjacent tables when creating your own shaft design. Ewellix shafts with radial holes are not annealed at the drilling position. The thread is cut in the hardened and ground shaft to avoid any changes in hardness or dimensional accuracy.

Jointed precision shafts

In case shafts longer than the maximum length (↳ **chapter 3.7.4**) are needed, Ewellix can supply jointed shafts on request. Screwed joints are recommended for unsupported shafts. Plug and socket joints are used with supported shafts. Ewellix takes great care to provide accurately machined joints, e.g. regarding concentricity, as they are vital for smooth transitions at the joints.

A customer drawing with details and defined joint positions is necessary to handle a request or order. The ordering key suffix for a customised solution is ESSC 10.

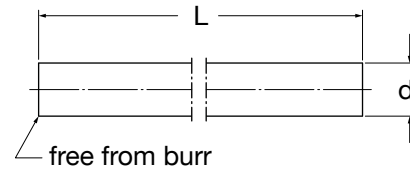
Dimensions of front side threads ESSC 4 and 5

| d mm | G – | L _s mm |
|---------|--------|----------------------|
| 8 | M4 | 10 |
| 10 | M4 | 10 |
| 12 | M5 | 12,5 |
| 14 | M5 | 12,5 |
| 16 | M6 | 15 |
| 20 | M8 | 20 |
| 25 | M10 | 25 |
| 30 | M10 | 25 |
| 40 | M12 | 30 |
| 50 | M16 | 40 |
| 60 | M20 | 50 |
| 80 | M24 | 60 |

ESSC definitions

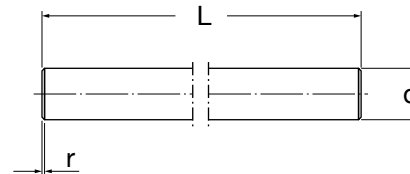
ESSC 1

- Shaft cut to length and deburred
- Length tolerance $\pm 1,5$ mm



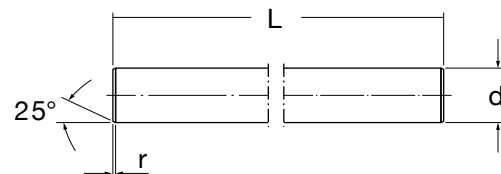
ESSC 2

- Shaft cut to length with chamfer
- Chamfer with r value of minimum 1 mm
- Length tolerance $\pm 1,5$ mm



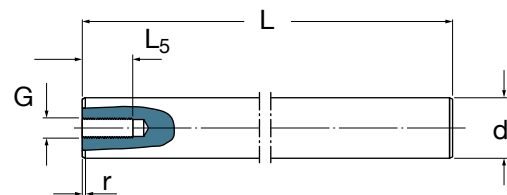
ESSC 3

- Shaft cut to length with chamfer 25°
- With machined front surface 90°
- Length tolerance $\pm 0,1$ mm up to 3 m length
- Chamfer with r value according to **chapter 3.7.5**



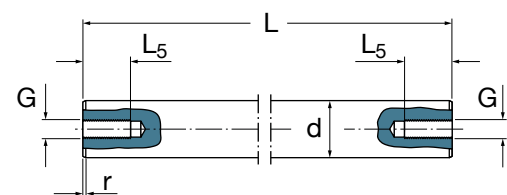
ESSC 4

- Shaft cut to length with chamfer 25°
- With machined front surface 90°
- Length tolerance $\pm 0,1$ mm up to 3 m length
- Chamfer with r value according to **chapter 3.7.5**
- With one axial thread; dimensions according table



ESSC 5

- Shaft cut to length with chamfer 25°
- With machined front surface 90°
- Length tolerance $\pm 0,1$ mm up to 3 m length
- Chamfer with r value according to **chapter 3.7.5**
- With two axial threads; dimensions according table



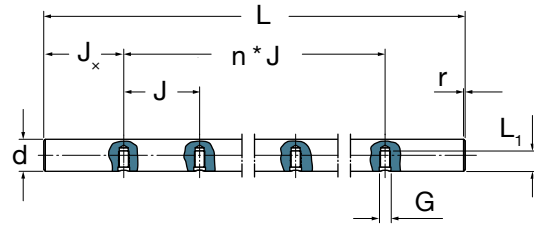
Delivery times depend on the shaft machining:

ESSC 1-3 usually within 10 days

ESSC 4-8 usually within 20 days

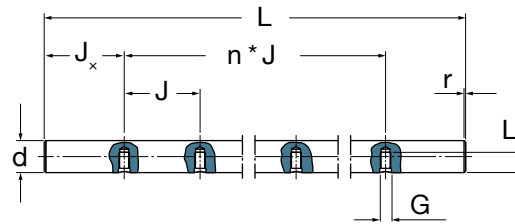
ESSC 6

- Shaft cut to length with chamfer
- Chamfer with r value of minimum 1 mm
- Length tolerance $\pm 1,5$ mm
- Shaft with radial threads for LRCB shaft supports
- First radial thread position at $J_x = J/2$



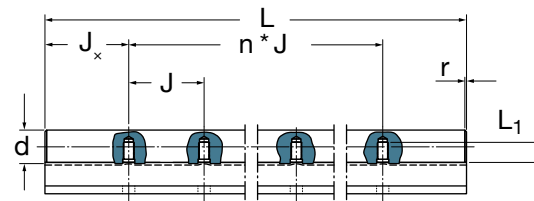
ESSC 7

- Shaft cut to length with chamfer
- Chamfer with r value of minimum 1 mm
- Length tolerance $\pm 1,5$ mm
- Shaft with radial threads
- Dimension J and J_x as specified in customer's drawing



ESSC 8

- Shaft cut to length with chamfer
- Chamfer with r value of minimum 1 mm
- Length tolerance $\pm 1,5$ mm
- Shaft with radial threads for LRCB shaft supports
- First radial thread position at $J_x = J/2$
- Shaft fully supported and mounted with LRCB shaft supports



Dimensions of radial threads ESSC 6, 7 and 8

| d mm | G | L ₁ | J | J _x |
|---------|-----|----------------|-----|----------------|
| 8 | – | – | – | – |
| 10 | – | – | – | – |
| 12 | M4 | 8 | 75 | 37,5 |
| 14 | – | – | – | – |
| 16 | M5 | 9,5 | 100 | 50 |
| 20 | M6 | 13 | 100 | 50 |
| 25 | M8 | 14 | 120 | 60 |
| 30 | M10 | 18 | 150 | 75 |
| 40 | M10 | 20 | 200 | 100 |
| 50 | M12 | 23 | 200 | 100 |
| 60 | M14 | 28 | 300 | 150 |
| 80 | M16 | 33 | 300 | 150 |

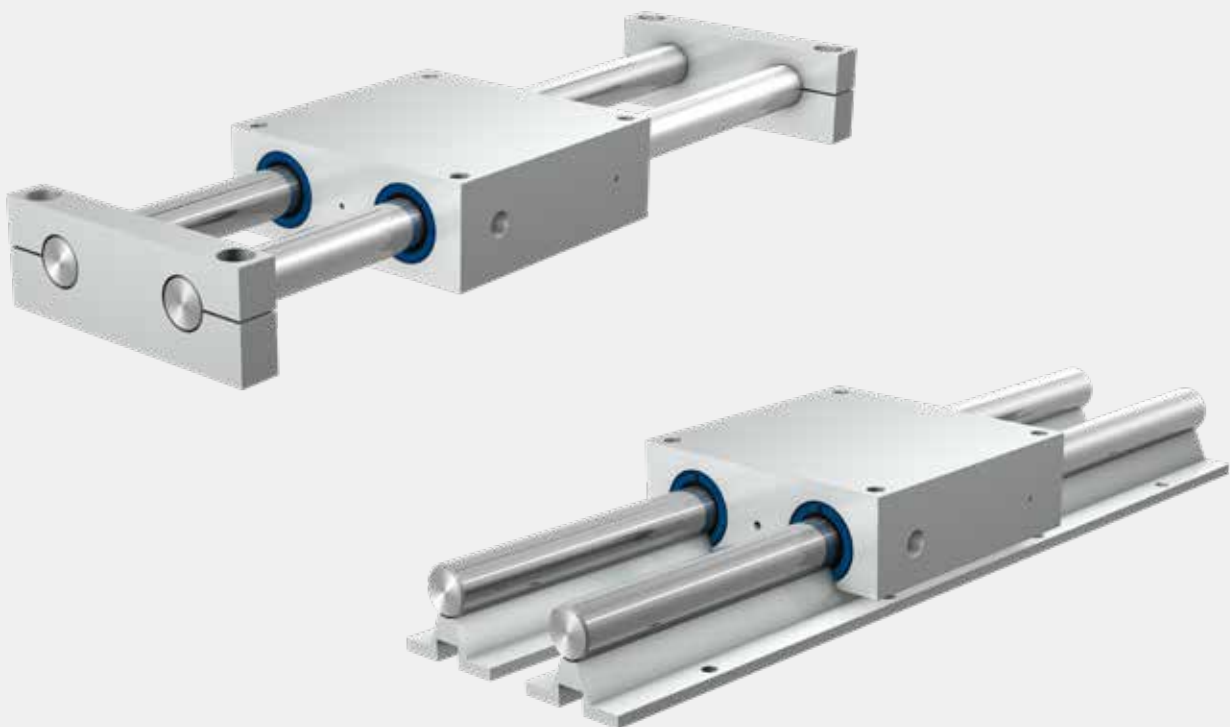
3.8 Linear slides

LZ slides are complete linear bearing slides for manual motion where all the required components are delivered as a kit. Only the length of the slide system must be determined and the rest is predefined. LZ slides are easy to use, customer friendly linear motion solutions. LZ slides are quadro unit based slides with shafts and shaft blocks or supports. The bearing unit is equipped with four LBCD or LBCF self-aligning linear ball bearings.

Three different variants exist to fit nearly every application. The LZBU-“A” variant enables axial movement of the quadro unit, whereby the shafts are fixed via the tandem shaft blocks to the machine surface. The LZBU-“B” variant is provided with LEAS-“B” shaft blocks. This combination is made for moving linear shafts and shaft blocks while the

quadro unit is fixed to the machine. LZAU are the open type linear slides made for longer travel distances with shaft supports.

All slides can be supplied with stainless steel bearings and shafts. The slides are always equipped with linear bearings that have seals on the outside. LZAU linear slides can be supplied from size 12 mm to 50 mm, where LZBU slides are available from 8 mm to 50 mm. The bearing unit is factory pre-lubricated and ready for use. In case relubrication is needed, the units are equipped with grease fittings on either side. Only size 8 must be relubricated via the shafts.



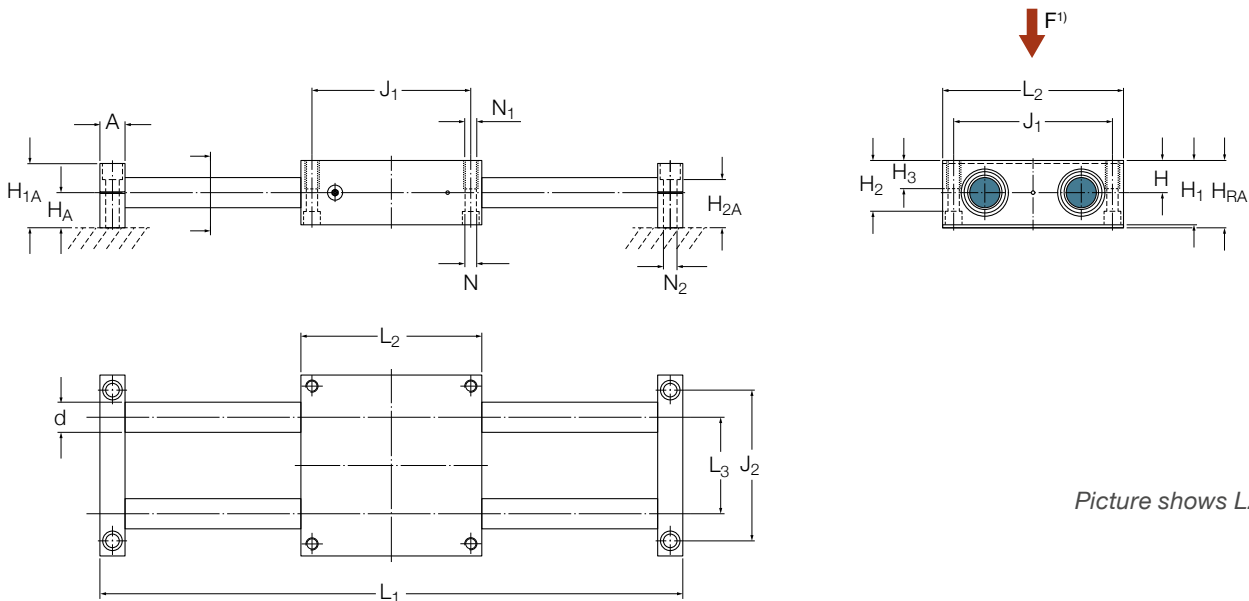
3.8.1 Linear slides - LZBU A

- Designed for fixed shaft blocks and moving quadro unit

- Sizes from 8 mm to 50 mm
- Equipped with 4 self-aligning LBCD bearings
- Sealed standard and stainless steel variant
- Factory pre-lubricated with SKF LGEP 2 grease, ready for use
- Equipped with grease fittings on both sides
- Quadro unit able to bolt from top or bottom side
- Standard slides consist of the following parts:
 - One standard quadro unit LQCD -2LS
 - Two tandem shaft blocks LEAS-A
 - Two precision shafts LJM of the defined length
 - Stainless slides with LQCD -2LS/HV6 variant and LJMR precision shafts



Pictured is LZBU 30 A-2LS ²⁾



Picture shows LZBU...A

Dimensions

| d | A | H _{RA} ±0,03 | H _A ±0,015 | H _{1A} | H _{2A} | H ±0,01 | H ₁ | H ₂ | H ₃ | J ₁ | J ₂ | L ₁ ³⁾ | L ₂ | L ₃ | N ²⁾ | N ₁ | N ₂ ²⁾ |
|----|----|--------------------------|--------------------------|-----------------|-----------------|------------|----------------|----------------|----------------|----------------|----------------|------------------------------|----------------|----------------|-----------------|----------------|------------------------------|
| mm | | | | | | | | | | | | | | | | - | mm |
| 8 | 12 | 24 | 12,5 | 23 | 16 | 11,5 | 23 | 17,5 | 11 | 55 | 52 | 600 | 65 | 32 | 4,3 | M5 | 5,5 |
| 12 | 14 | 34 | 18 | 32 | 23,5 | 16 | 32 | 25 | 13 | 73 | 70 | 900 | 85 | 42 | 5,3 | M6 | 6,6 |
| 16 | 18 | 38 | 20 | 37 | 26,5 | 18 | 36 | 29 | 13 | 88 | 82 | 1500 | 100 | 54 | 5,3 | M6 | 9 |
| 20 | 20 | 48 | 25 | 46 | 32,5 | 23 | 46 | 37,5 | 18 | 115 | 108 | 1800 | 130 | 72 | 6,6 | M8 | 11 |
| 25 | 25 | 58 | 30 | 56 | 40 | 28 | 56 | 45 | 22 | 140 | 132 | 1800 | 160 | 88 | 8,4 | M10 | 13,5 |
| 30 | 25 | 67 | 35 | 64 | 48 | 32 | 64 | 50,5 | 26 | 158 | 150 | 2400 | 180 | 96 | 10,5 | M12 | 13,5 |
| 40 | 30 | 84 | 44 | 80 | 59 | 40 | 80 | 64 | 34 | 202 | 190 | 3000 | 230 | 122 | 13,5 | M16 | 17,5 |
| 50 | 30 | 100 | 52 | 96 | 75 | 48 | 96 | 80 | 34 | 250 | 240 | 3000 | 280 | 152 | 13,5 | M16 | 17,5 |

¹⁾ Direction for max. load ratings

²⁾ Picture with non D-series bearing differs

³⁾ Recommended maximum shaft length. On demand, longer shaft lengths are available. Length tolerance according ESSEC2 shafting standard.

⁴⁾ For cylinder head screws with internal hexagon according to ISO 4762

LZBU... A

| Designations ¹⁾ | Basic load ratings | | | |
|-------------------------------|--------------------|--------|--------------------------|--------|
| | dynamic C | | static C ₀ | |
| – | min N | max | min | max |
| LZBU 8 A-2LS ^{2) n)} | 1 290 | 1 500 | 1 430 | 2 000 |
| LZBU 12 A-2LS ⁿ⁾ | 2 120 | 3 200 | 2 280 | 3 750 |
| LZBU 16 A-2LS ⁿ⁾ | 2 500 | 3 650 | 2 600 | 4 250 |
| LZBU 20 A-2LS ⁿ⁾ | 4 550 | 6 700 | 4 500 | 7 200 |
| LZBU 25 A-2LS ⁿ⁾ | 6 800 | 10 000 | 5 700 | 9 300 |
| LZBU 30 A-2LS ⁿ⁾ | 10 000 | 14 600 | 9 300 | 15 000 |
| LZBU 40 A-2LS ⁿ⁾ | 17 300 | 25 500 | 13 400 | 22 800 |
| LZBU 50 A-2LS ⁿ⁾ | 21 200 | 30 000 | 16 600 | 28 000 |

LZBU... A stainless

| Designations ¹⁾ | Basic load ratings ³⁾ | | | |
|-----------------------------------|----------------------------------|--------|--------------------------|--------|
| | dynamic C | | static C ₀ | |
| – | min N | max | min | max |
| LZBU 8 A-2LS/HV6 ^{2) n)} | 1 020 | 1 200 | 1 020 | 1 400 |
| LZBU 12 A-2LS/HV6 ⁿ⁾ | 1 700 | 2 550 | 1 600 | 2 650 |
| LZBU 16 A-2LS/HV6 ⁿ⁾ | 2 000 | 2 900 | 1 830 | 3 000 |
| LZBU 20 A-2LS/HV6 ⁿ⁾ | 3 600 | 5 300 | 3 200 | 5 100 |
| LZBU 25 A-2LS/HV6 ⁿ⁾ | 5 400 | 8 000 | 4 000 | 6 550 |
| LZBU 30 A-2LS/HV6 ⁿ⁾ | 8 000 | 11 600 | 6 550 | 10 600 |
| LZBU 40 A-2LS/HV6 ⁿ⁾ | 13 700 | 20 400 | 9 500 | 16 000 |
| LZBU 50 A-2LS/HV6 ⁿ⁾ | 17 000 | 23 600 | 11 800 | 19 600 |

ⁿ⁾ Delivery time on request

¹⁾ The designation for a LZBU linear slide with a shaft length of, for instance 1200 mm, is LZBU .. A-2LS x 1200. Parts delivered as a kit

²⁾ Slides in size 8 mm must be relubricated via the shaft and are equipped with rigid LBCR linear bearings

³⁾ Calculated with HRC 54 due to stainless shafts

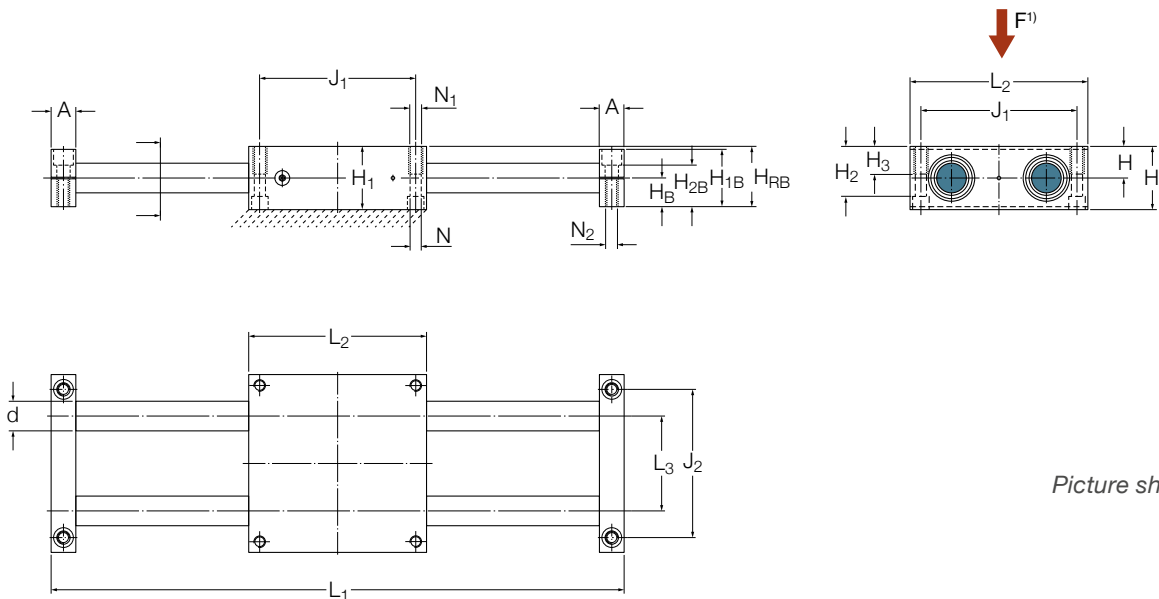
3.8.2 Linear slides - LZBU B

- Designed for fixed quadro unit and moving shaft blocks

- Sizes from 8 mm to 50 mm
- Equipped with 4 self-aligning LBCD bearings
- Sealed standard and stainless steel variant
- Factory pre-lubricated with SKF LGEP 2 grease, ready for use
- Equipped with grease fittings on both sides
- Quadro unit able to bolt from top or bottom side
- Standard slides consist of the following parts:
 - One standard quadro unit LQCD -2LS
 - Two tandem shaft blocks LEAS-B
 - Two precision shafts LJM of the defined length
 - Stainless slides with LQCD -2LS/HV6 variant and LJMR precision shafts



Pictured is LZBU 30 B-2LS ²⁾



Picture shows LZBU...B

Dimensions

| d | A | H _{RB} ±0,03 | H _B ±0,015 | H _{1B} | H _{2B} | H ±0,01 | H ₁ | H ₂ | H ₃ | J ₁ | J ₂ | L ₁ ³⁾ | L ₂ | L ₃ | N ⁴⁾ | N ₁ | N ₂ ⁴⁾ |
|----|----|--------------------------|--------------------------|-----------------|-----------------|------------|----------------|----------------|----------------|----------------|----------------|------------------------------|----------------|----------------|-----------------|----------------|------------------------------|
| 8 | 12 | 22,5 | 11 | 22 | 15 | 11,5 | 23 | 17,5 | 11 | 55 | 52 | 600 | 65 | 32 | 4,3 | M5 | M5 |
| 12 | 14 | 30 | 14 | 28 | 19,5 | 16 | 32 | 25 | 13 | 73 | 70 | 900 | 85 | 42 | 5,3 | M6 | M6 |
| 16 | 18 | 35 | 17 | 34 | 23,5 | 18 | 36 | 29 | 13 | 88 | 82 | 1 500 | 100 | 54 | 5,3 | M6 | M6 |
| 20 | 20 | 44 | 21 | 42 | 28,5 | 23 | 46 | 37,5 | 18 | 115 | 108 | 1 800 | 130 | 72 | 6,6 | M8 | M8 |
| 25 | 25 | 54 | 26 | 52 | 36 | 28 | 56 | 45 | 22 | 140 | 132 | 1 800 | 160 | 88 | 8,4 | M10 | M10 |
| 30 | 25 | 61 | 29 | 58 | 42 | 32 | 64 | 50,5 | 26 | 158 | 150 | 2 400 | 180 | 96 | 10,5 | M12 | M12 |
| 40 | 30 | 76 | 36 | 72 | 51 | 40 | 80 | 64 | 34 | 202 | 190 | 3 000 | 230 | 122 | 13,5 | M16 | M16 |
| 50 | 30 | 92 | 44 | 88 | 67 | 48 | 96 | 80 | 34 | 250 | 240 | 3 000 | 280 | 152 | 13,5 | M16 | M16 |

¹⁾ Direction for max. load ratings

²⁾ Picture with non D-series bearing differs

³⁾ Recommended maximum shaft length. On demand, longer shaft lengths are available. Length tolerance according ESSE2 shafting standard.

⁴⁾ For cylinder head screws with internal hexagon according to ISO 4762

LZBU... B

| Designations ¹⁾ | Basic load ratings | | | |
|-------------------------------|--------------------|--------|--------------------------|--------|
| | dynamic C | | static C ₀ | |
| – | min N | max | min | max |
| LZBU 8 B-2LS ^{2) n)} | 1 290 | 1 500 | 1 430 | 2 000 |
| LZBU 12 B-2LS ⁿ⁾ | 2 120 | 3 200 | 2 280 | 3 750 |
| LZBU 16 B-2LS ⁿ⁾ | 2 500 | 3 650 | 2 600 | 4 250 |
| LZBU 20 B-2LS ⁿ⁾ | 4 550 | 6 700 | 4 500 | 7 200 |
| LZBU 25 B-2LS ⁿ⁾ | 6 800 | 10 000 | 5 700 | 9 300 |
| LZBU 30 B-2LS ⁿ⁾ | 10 000 | 14 600 | 9 300 | 15 000 |
| LZBU 40 B-2LS ⁿ⁾ | 17 300 | 25 500 | 13 400 | 22 800 |
| LZBU 50 B-2LS ⁿ⁾ | 21 200 | 30 000 | 16 600 | 28 000 |

LZBU... B stainless

| Designations ¹⁾ | Basic load ratings ³⁾ | | | |
|-----------------------------------|----------------------------------|--------|--------------------------|--------|
| | dynamic C | | static C ₀ | |
| – | min N | max | min | max |
| LZBU 8 B-2LS/HV6 ^{2) n)} | 1 020 | 1 200 | 1 020 | 1 400 |
| LZBU 12 B-2LS/HV6 ⁿ⁾ | 1 700 | 2 550 | 1 600 | 2 650 |
| LZBU 16 B-2LS/HV6 ⁿ⁾ | 2 000 | 2 900 | 1 830 | 3000 |
| LZBU 20 B-2LS/HV6 ⁿ⁾ | 3 600 | 5 300 | 3 200 | 5 100 |
| LZBU 25 B-2LS/HV6 ⁿ⁾ | 5 400 | 8 000 | 4 000 | 6 550 |
| LZBU 30 B-2LS/HV6 ⁿ⁾ | 8 000 | 11 600 | 6 550 | 10 600 |
| LZBU 40 B-2LS/HV6 ⁿ⁾ | 13 700 | 20 400 | 9 500 | 16 000 |
| LZBU 50 B-2LS/HV6 ⁿ⁾ | 17 000 | 23 600 | 11 800 | 19 600 |

ⁿ⁾ Delivery time on request

¹⁾ The designation for a LZBU linear slide with a shaft length of, for instance 1200 mm, is LZBU .. B-2LS x 1200. Parts delivered as a kit

²⁾ Slides in size 8 mm must be relubricated via the shaft and are equipped with rigid LBCR linear bearings

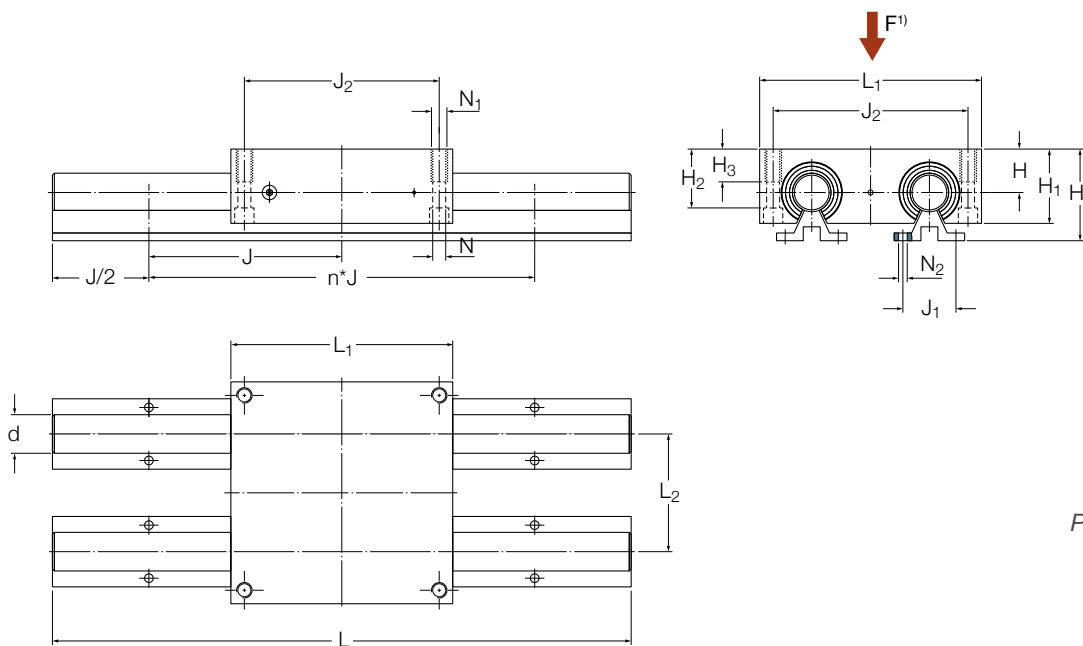
³⁾ Calculated with HRC 54 due to stainless shafts

3.8.3 Linear slides - LZAU

- Open design from sizes 12 mm to 50 mm
- Equipped with 4 self-aligning LBCF bearings
- Sealed standard and stainless steel variant
- Factory pre-lubricated with SKF LGEP 2 grease, ready for use
- Equipped with grease fittings on both sides
- Quadro unit able to bolt from top or bottom side
- Standard slides consist of the following parts:
 - One standard quadro unit LQCF -2LS
 - Two precision shafts LJM of the defined length supported by LRCB shaft supports
 - Stainless slides with LQCF -2LS/HV6 variant and LJMR precision shafts



Pictured is LZAU 30-2LS ²⁾



Picture shows LZAU

Dimensions

| d | H _T ±0,03 | H ±0,01 | H ₁ | H ₂ | H ₃ | J ³⁾ | J ₁ | J ₂ | L ₁ | L ₂ | N ²⁾ | N ₁ | N ₂ ²⁾ |
|----|-------------------------|------------|----------------|----------------|----------------|-----------------|----------------|----------------|----------------|----------------|-----------------|----------------|------------------------------|
| mm | | | | | | | | | | | | - | mm |
| 12 | 40 | 18 | 30 | 23,4 | 13 | 75 | 29 | 73 | 85 | 42 | 5,3 | M6 | 4,5 |
| 16 | 48 | 22 | 35 | 28,4 | 13 | 100 | 33 | 88 | 100 | 54 | 5,3 | M6 | 5,5 |
| 20 | 57 | 25 | 42 | 33,5 | 18 | 100 | 37 | 115 | 130 | 72 | 6,6 | M8 | 6,6 |
| 25 | 66 | 30 | 51 | 40 | 22 | 120 | 42 | 140 | 160 | 88 | 8,4 | M10 | 6,6 |
| 30 | 77 | 35 | 60 | 46,5 | 26 | 150 | 51 | 158 | 180 | 96 | 10,5 | M12 | 9 |
| 40 | 95 | 45 | 77 | 61 | 34 | 200 | 55 | 202 | 230 | 122 | 13,5 | M16 | 9 |
| 50 | 115 | 55 | 93 | 77 | 34 | 200 | 63 | 250 | 280 | 152 | 13,5 | M16 | 11 |

¹⁾ Direction for max. load ratings

²⁾ Picture with non D-series bearing differs

³⁾ Shaft with shafting standard ESSE 8 is used.

⁴⁾ For cylinder head screws with internal hexagon according to ISO 4762

LZAU

| Designations ¹⁾ | Basic load ratings | | | |
|----------------------------|--------------------|--------|--------------------------|--------|
| | dynamic C | | static C ₀ | |
| – | min N | max | min | max |
| LZAU 12-2LS ⁿ⁾ | 1 600 | 2 850 | 1 660 | 3 400 |
| LZAU 16-2LS ⁿ⁾ | 1 760 | 3 450 | 1 930 | 4 500 |
| LZAU 20-2LS ⁿ⁾ | 3 900 | 6 550 | 3 650 | 7 350 |
| LZAU 25-2LS ^{u)} | 6 000 | 10 200 | 4 900 | 9 800 |
| LZAU 30-2LS ⁿ⁾ | 8 650 | 15 000 | 7 800 | 15 600 |
| LZAU 40-2LS ^{u)} | 14 600 | 25 000 | 12 000 | 23 600 |
| LZAU 50-2LS ⁿ⁾ | 12 900 | 30 000 | 12 000 | 28 000 |

LZAU stainless

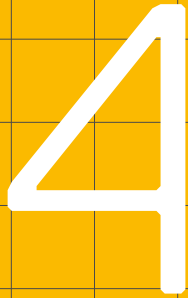
| Designations ¹⁾ | Basic load ratings ²⁾ | | | |
|-------------------------------|----------------------------------|--------|--------------------------|--------|
| | dynamic C | | static C ₀ | |
| – | min N | max | min | max |
| LZAU 12-2LS/HV6 ⁿ⁾ | 1 270 | 2 280 | 1 180 | 2 400 |
| LZAU 16-2LS/HV6 ⁿ⁾ | 1 400 | 2 750 | 1 370 | 3 200 |
| LZAU 20-2LS/HV6 ⁿ⁾ | 3 100 | 5 200 | 2 600 | 5 200 |
| LZAU 25-2LS/HV6 ^{u)} | 4 750 | 8 150 | 3 450 | 6 950 |
| LZAU 30-2LS/HV6 ⁿ⁾ | 6 800 | 11 800 | 5 500 | 11 000 |
| LZAU 40-2LS/HV6 ^{u)} | 11 600 | 20 000 | 8 500 | 16 600 |
| LZAU 50-2LS/HV6 ⁿ⁾ | 10 200 | 23 600 | 8 500 | 19 600 |

ⁿ⁾ Delivery time on request

^{u)} Size 25 available from Q1/2021; Size 40 under development; A-design units of both sizes are available until replacement

¹⁾ The designation for a LZAU linear slide with a shaft length of, for instance 600 mm, is LZAU ..-2LS x 600. Parts delivered as a kit

²⁾ Calculated with HRC 54 due to stainless shafts



4

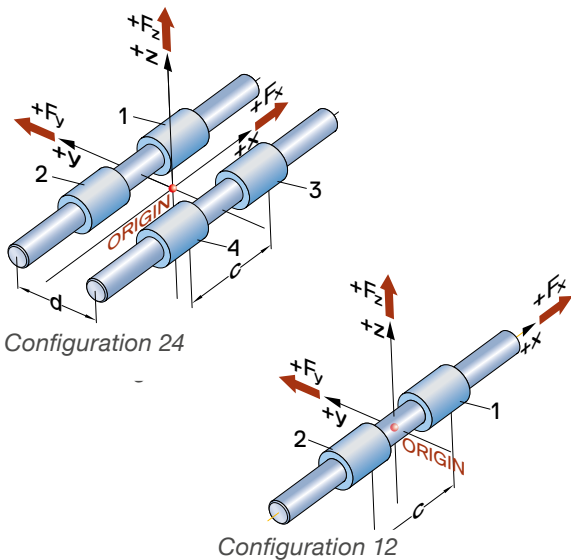


**Mounting, operation
and maintenance
manual**

4.1 Design rules

4.1.1 How to use linear bearings

A typical linear slide arrangement consists of four linear bearings mounted inside housings and two suitable shafts (configuration 24). Another design possibility is to use a single shaft with two bearings (configuration 12), e.g. used in sliding doors for trains. If using configuration 12, it's important that additional means, e.g. a support roller, prevent rotation of the bearing around the shaft (see more about loads on configuration 12 in **chapter 2.2.2**). Ewellix generally recommends using two bearings per shaft. In exceptional circumstances, e.g. when no torque loads occur or loads are very light, it is possible to use a single linear ball bearing arrangement (configuration 11 or 22).



Closed design linear bearings and units have excellent sealing capabilities and are easy to install. They are mostly used for applications with shorter shafts, where the impact of shaft bending is limited (see more about misalignment in **chapter 2.2.3**). For long arrangements, especially when heavily loaded, the use of open design linear ball bearings is recommended. They allow the use of supported shafts that do not bend.

To use the linear bearing with its full performance, several guidelines regarding housing design, shaft specification, mounting surfaces and mounting have to be considered as the next chapters describe. All Ewellix components in this catalogue are designed according to these rules. That's why we recommend the use of original Ewellix parts.

4.1.2 Housing design

A linear ball bearing needs a housing that gives adequate support for the raceway plates. The diameter tolerance, cylindricity and surface roughness of the housing bore are important criteria for the performance of a linear ball bearing system.

A housing bore adequate for the self-holding function of compact series ball bearings and plain bearings, requires a diameter with tolerance J6 or J7. For standard bearings, the housing bore tolerance should be at least H6 or H7. Generally, the housing bore tolerances in combination with the tolerances of a certain bearing type and the tolerances of the shaft result in the operating clearance of the linear guiding system (see more about operating clearance in **chapter 2.1.2**). That means the operating clearance can be reduced by choosing tolerance J or K for the housing bore.

Cylindricity tolerance, according to DIN EN ISO 1101:

- 1 or 2 IT grades better than the dimensional tolerance is recommended

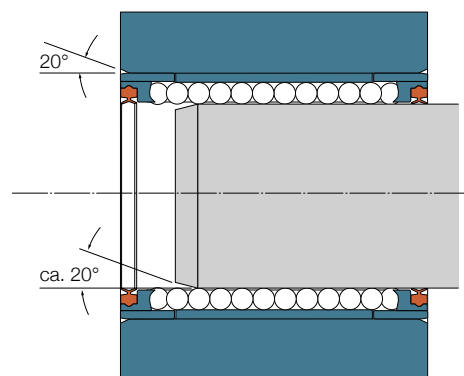
Surface roughness Ra in the housing bore (guideline values):

- Diameter tolerance IT7: Ra = 1,6 μm
- Diameter tolerance IT6: Ra = 0,8 μm

To facilitate mounting, the housing bore should have a chamfer of approximately 20° (→ **fig. 1**). This simplifies the insertion of the bearing in its housing.



Fig. 1
Chamfers on housing bore and shaft



4.1.3 Bearing fixation

Compact linear ball bearings LBBR have two plastic end rings with an outside diameter slightly larger than the nominal diameter of the bearing. This extra diameter together with a housing bore tolerance of J7 or J6 provides the requisite tightness for the self-holding functionality of the compact bearing. No additional fixation of the bearing is needed as long as the housing covers the whole bearing length and the environmental and application conditions are normal.

All standard linear ball bearings and linear plain bearings must be fixed in the housing. Therefore, holes are provided in the outside diameter of the bearings in which stops can be inserted to prevent the bearing from rotation and axial movement. The face side of the bearing has a small circle (D-design) or hatched surface (A-design) to mark the position of the lubrication port. The position and diameter of the holes in the bearing's outside diameter are shown in **tables 1 to 4**.

These holes also act as a lubrication port. When using Ewellix grease fittings, designation VN-LHC (↳ **fig. 2**), you can utilize both functions: relubrication and mandatory fixation of the bearing in the housing. The use of VN-LHC grease fittings is recommended and they are also used for this purpose in Ewellix linear bearing units. Please find details about the grease fitting in **chapter 3.3.7**.

NOTE: For defined bearing orientation: As the bearings main load direction and the hole for bearing fixation are under 90°, make sure that the housing design, especially the hole for bearing fixation, is aligned with the factor for direction of load used for rating life calculation (↳ **chapter 2.2.3**).

The following other parts beside the grease fittings can be used as a fixation element:

- Grub screws according to DIN EN 27435 or DIN EN ISO 4028
- Straight pins according to DIN EN ISO 2338
- Grooved pins according to DIN EN ISO 8739 or DIN EN ISO 8744
- Slotted pins according to DIN EN ISO 8752

IMPORTANT:

Be aware that the linear ball bearing will be destroyed if the pin extends more than value t_1 into the bearing!

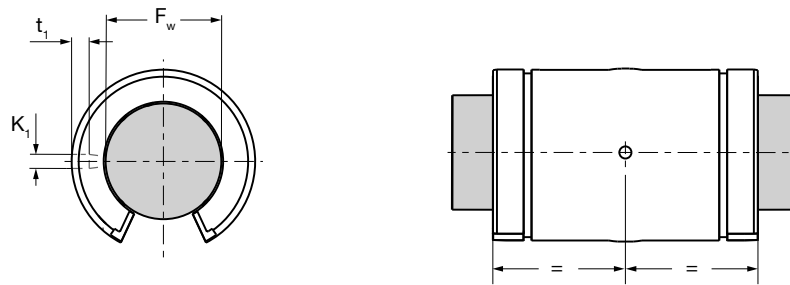
The linear ball bearings LBCR 5 and LBCR 8 are without a fixation hole but are self-holding if the temperature is limited to 60 °C and mounted in housings of at least bearing length. Retaining rings are required with shorter housings. Linear plain bearings LPAR 5 and LPAR 8 are without a fixation hole.

Fig. 2

Grease fitting VN-LHC

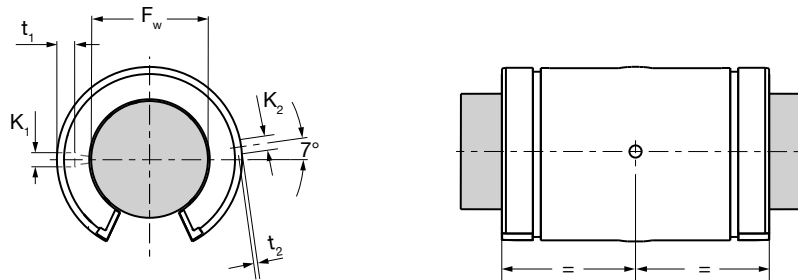


Table 1



| Dimensions | | Appropriate grease fitting ¹⁾ | | Grub screws ²⁾ | | Pins ³⁾ | | Pins ⁴⁾ | | |
|----------------------|---|--|----------------|------------------------------|----------------|--------------------|-----------|--------------------|----------|-----|
| F _w mm | valid for bearing type | K1 ⁵⁾ mm | t ₁ | K ₂ ⁶⁾ | t ₂ | s | – | Diameter mm | Diameter | |
| 12 | LBCR & LBCD closed design, | 3,0 | 2,6 | – | – | – | VN-LHC 20 | M 4 | 3 | 3 |
| 16 | LBCR & LBCD closed design, LBCT & LBCF open design | 3,0 | 2,6 | – | – | – | VN-LHC 20 | M 4 | 3 | 3 |
| 20 | LBCR & LBCD closed design, LBCT & LBCF open design | 3,0 | 2,6 | – | – | – | VN-LHC 20 | M 4 | 3 | 3 |
| sizes 12-20 | LPAR & LPAT plain bearings | 3,0 | – | – | – | – | VN-LHC 20 | M 4 | 3 | 3 |
| sizes 25-40 | LPAR & LPAT plain bearings | 3,5 | – | – | – | – | VN-LHC 40 | M 5 | 3 | 3,5 |
| sizes 50 | LPAR & LPAT plain bearings | 4,5 | – | – | – | – | VN-LHC 50 | M 6 | 4 | 4,5 |
| sizes 60 | LPAR & LPAT plain bearings | 6,0 | – | – | – | – | VN-LHC 80 | M 8 | 6 | 6 |
| sizes 80 | LPAR & LPAT plain bearings | 8,0 | – | – | – | – | VN-LHC 80 | M 8 | 8 | 8 |

Table 2

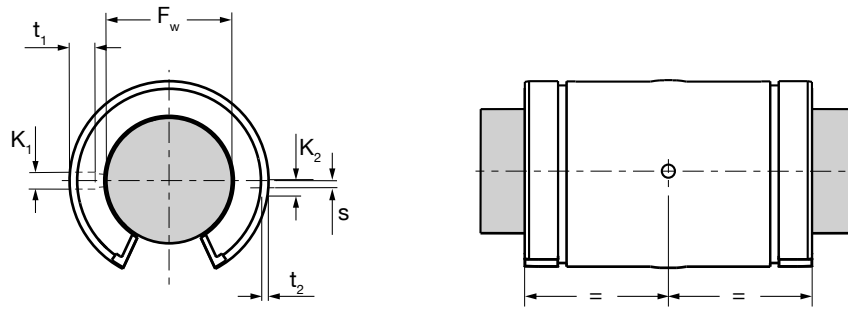


| Dimensions | | Appropriate grease fitting ¹⁾ | | Grub screws ²⁾ | | Pins ³⁾ | | Pins ⁴⁾ | | |
|----------------------|-------------------------|--|----------------|------------------------------|----------------|--------------------|-----------|--------------------|----------|---|
| F _w mm | valid for bearing type | K1 ⁵⁾ mm | t ₁ | K ₂ ⁶⁾ | t ₂ | s | – | Diameter mm | Diameter | |
| 12 | LBCT & LBCF open design | 3,0 | 2,6 | 3,0 | 1,0 | – | VN-LHC 20 | M 4 | 3 | 3 |

¹⁾ Recommendations for the design of drills to mount the grease fittings are shown in **chapter 3.3.7**
²⁾ Grub screws according to DIN EN 27435 or DIN EN ISO 4028.
³⁾ Straight pins according to DIN EN ISO 2338 or grooved pins - DIN EN ISO 8739 and DIN EN ISO 8744.
⁴⁾ Slotted pins - DIN EN ISO 8752
⁵⁾ For relubrication as well as location of linear bearings in Ewellix housings.
⁶⁾ Alternative borehole for location in specific housings from other manufacturers.

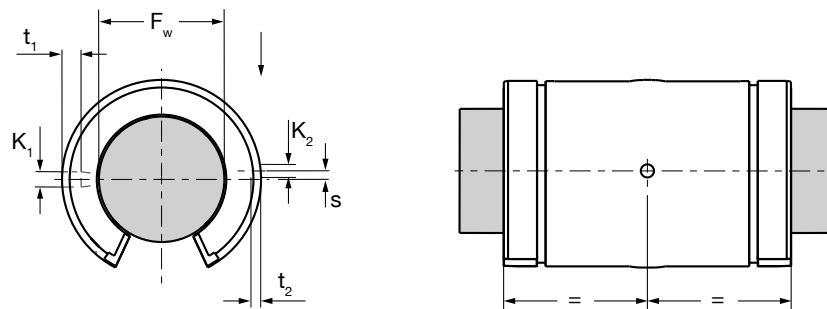


Table 3



| Dimensions | | Appropriate grease fitting ¹⁾ | Grub screws ²⁾ | Pins ³⁾ | Pins ⁴⁾ | | | |
|-------------|---|--|---------------------------|--------------------------------|--------------------|----------|---|-----|
| F_w mm | valid for bearing type | K_1 ⁵⁾ mm | t_1 | K_2 ⁶⁾ t_2 s | Diameter mm | Diameter | | |
| 25 | LBCR & LBCD closed design, LBCT & LBCF open design | 3,5 | 4,5 | 3,0 1,4 1,5 | VN-LHC 40 | M 5 | 3 | 3,5 |

Table 4



| Dimensions | | Appropriate grease fitting ¹⁾ | Grub screws ²⁾ | Pins ³⁾ | Pins ⁴⁾ | | | |
|-------------|---|--|---------------------------|--------------------------------|--------------------|----------|---|-----|
| F_w mm | valid for bearing type | K_1 ⁵⁾ mm | t_1 | K_2 ⁶⁾ t_2 s | Diameter mm | Diameter | | |
| 30 | LBCR & LBCD closed design, LBCT & LBCF open design | 3,5 | 4,5 | 3,0 2,3 2,0 | VN-LHC 40 | M 5 | 3 | 3,5 |
| 40 | LBCR & LBCD closed design, LBCT & LBCF open design | 3,5 | 4,5 | 3,0 2,7 1,4 | VN-LHC 40 | M 5 | 3 | 3,5 |
| 50 | LBCR & LBCD closed design, LBCT & LBCF open design | 4,5 | - | 5,0 - 2,5 | VN-LHC 50 | M 6 | 4 | 4,5 |
| 60 | LBCR & LBCD closed design, LBCT & LBCF open design | 6,0 | - | 5,0 - 2,5 | VN-LHC 80 | M 8 | 6 | 6 |
| 80 | LBCR & LBCD closed design, LBCT & LBCF open design | 8,0 | - | 5,0 - 2,5 | VN-LHC 80 | M 8 | 8 | 8 |

¹⁾ Recommendations for the design of drills to mount the grease fittings are shown in **chapter 3.3.7**
²⁾ Grub screws according to DIN EN 27435 or DIN EN ISO 4028.
³⁾ Straight pins according to DIN EN ISO 2338 or grooved pins - DIN EN ISO 8739 and DIN EN ISO 8744.
⁴⁾ Slotted pins - DIN EN ISO 8752
⁵⁾ For relubrication as well as location of linear bearings in Ewellix housings.
⁶⁾ Alternative borehole for location in specific housings from other manufacturers.

In the cage of the heavy duty linear ball bearings LBHT, there is not enough space for a fixation hole. For this reason, one of the lower raceway plates is drilled to take a grub screw according to DIN 27435 or DIN EN ISO 4028. Dimensions and position of the bore are indicated in **table 5**.

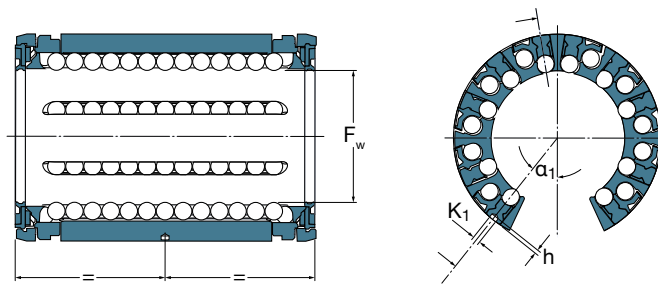
NOTE:

When securing LBHT bearings, care must be taken not to over-tighten these screws. If you do, excessive stress may be created onto the raceway plate, resulting in premature failure of the bearing.

If, for design reasons, none of the previously described methods can be adopted for the prevention of turning, open linear ball bearings may be retained by plates screwed to the housing, as illustrated in **figures 3** and **4** below.

Table 5

Turning stops for LBHT linear ball bearings

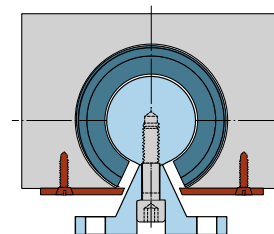
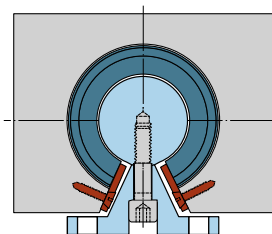


| Dimensions | | | | Appropriate grub screws ¹⁾ | Designation |
|----------------------|----------------|----------|-----------------------|---------------------------------------|-----------------------|
| F _w mm | K ₁ | h | α ₁ Deg | | |
| 20 | 2,6 ±0,05 | 1,3 ±0,2 | 47° | M4 | Linear - ball bearing |
| 25 | 2,6 ±0,05 | 1,3 ±0,2 | 55° 12' | M4 | LBHT 25 |
| 30 | 3,6 ±0,05 | 1,4 ±0,2 | 39° 15' | M5 | LBHT 30 |
| 40 | 3,6 ±0,05 | 1,4 ±0,2 | 38° 51' | M5 | LBHT 40 |
| 50 | 4,1 ±0,05 | 1,8 ±0,3 | 39° | M6 | LBHT 50 |

¹⁾ Grub screws according to DIN EN 27435 or DIN EN ISO 4028

Fig. 3

Fig. 4



4.1.4 Axial location

The usage of grease fitting VN-LHC for bearing fixation is recommended and most applications with linear bearings need axial and rotational fixation of the bearing, e.g. open type linear ball bearings or if a closed bearing has to be mounted with defined orientation (↳ **chapter 4.1.3**). For some applications, it is sufficient to fix the bearing in axial direction only. The main methods for axial location are described below.

Axial location using retaining rings (↳ **fig. 5** and **fig. 6**) takes little space, enables fast mounting and dismounting and simplifies the machining of the associated components. Standard linear ball bearings and plain bearings are equipped with two grooves for retaining rings on the outer diameter. Use retaining rings according to DIN 471 to locate the bearing as shown in **figure 6**. It's important to know that the spring force of the retaining ring slightly preloads the balls via the loosely held raceway plates. The radial clearance between the outer surface of the raceway plates and the housing bore remains.

Additionally, end plates, covers (↳ **fig. 7**) or retaining plates (↳ **fig. 8**) can be screwed to the housing to provide axial location for the bearing.

It is also possible to axially locate the bearing on a housing shoulder (↳ **fig. 9**), but please consider the outer radius on the bearing and the corner radius R in the housing.

In each case, ensure that a slight amount of clearance in axial direction, between mounting surfaces and bearing, remains!

Fig. 5

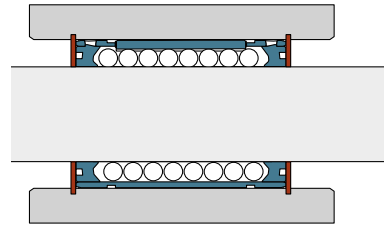


Fig. 6

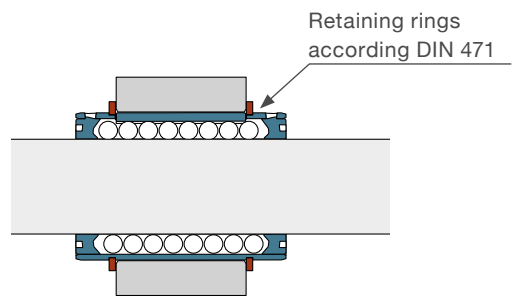


Fig. 7

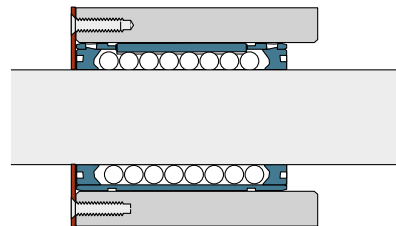


Fig. 8

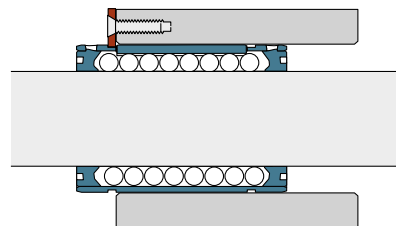
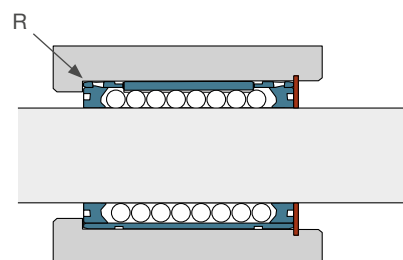


Fig. 9



4.1.5 Sealing

All Ewellix linear ball bearings can be ordered with double lip seals. Generally, the seals for linear ball bearings have to prevent the ingress of solid contamination and moisture and retain the lubricant in the bearing to release the full performance of the bearing.

Linear bearings that are used in harsh environments might need additional protection. It is state of the art to use shaft seals as additional protection. A housing that incorporates additional shaft seals only needs to be twice the width of the shaft seal longer. Ewellix offers a certain range of shaft seals (↳ **chapter 3.1.3**). Further dimensions are commercially available. Shaft seals can be integrated into the housing cover (↳ **fig. 10**) or can be placed directly into the housing bore (↳ **fig. 11**).

As the environmental conditions can differ a lot, each installation must be considered individually and the right sealing type has to be found. Various factors have to be taken into account when selecting the appropriate seal for a linear bearing, for instance the design, available space, type and severity of the contaminants, cost aspects, as well as the maximum permissible friction. For linear ball bearings with self-aligning capability, make sure the seal is always in contact with the shaft.

4.1.6 Requirements on precision shafts

Shafts have an important role in a linear bearing system. The hardness and hardness depth have a direct impact on the rating life. The tolerance of the shaft diameter influences the operating clearance, that's why tolerances h6 or h7 are generally recommended. The dimensional and form accuracy of precision shafts are important factors for the accuracy of a linear guiding system. The main characteristics are broadly covered by ISO 13012:

- **Roundness:** Excessive deviation from roundness can lead to uneven load distribution in a linear ball bearing that may result in overloading of individual raceway plates.
- **Cylindricity:** This factor is of particular importance in determining the accuracy of guidance of a linear ball bearing, due to momentary distortion of the outer surface of the shaft.
- **Straightness:** The straightness of shafts in an unloaded condition is of secondary importance since the deflection of unsupported shafts or the load on supported shafts are of greater significance.

In **chapter 3.7** of this catalogue, all specifications of Ewellix precision shafts are defined in detail. The values there can guide you to determine your own shaft, as they are the minimum requirements that shafts for linear guiding systems have to fulfil.

Generally, shaft ends should be rounded or chamfered with an angle of approximately 20°. This facilitates mounting and permits the shaft to be inserted without damaging the balls or seals of the bearing.

Fig. 10

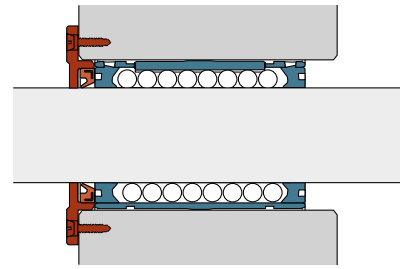
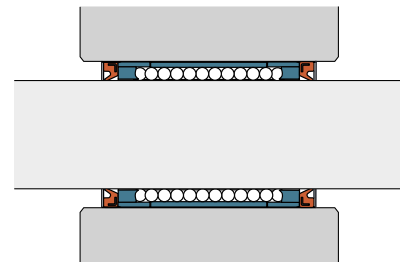
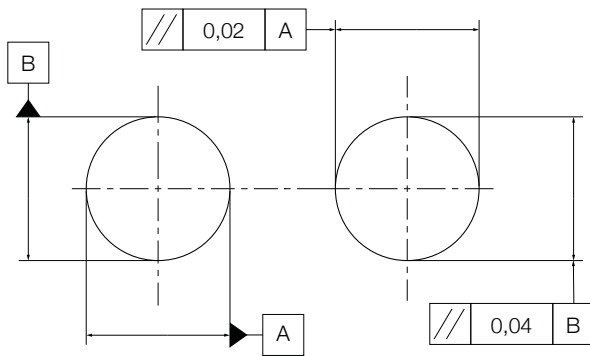


Fig. 11



4.1.7 Mounting surfaces and shaft alignment

For smooth running of the linear slide system and to ensure that no additional loads that may reduce the rating life act on the bearing, the parallelism between two shafts should be as good as possible. The maximum deviations are shown in the following illustration.



This value is valid no matter if supported or unsupported shafts are used. It should also guide you when defining the mounting surfaces for shaft supports or shaft blocks.

Shafts with axial threads (↳ [chapter 3.7.7](#)) enable fast mounting and easy alignment.

4.2 Mounting of linear bearings

Great care and attention to cleanliness are essential when mounting Ewellix linear bearings to obtain optimum performance and to avoid premature bearing failure. Ewellix linear ball bearings are precision products and should be handled appropriately. Above all, the correct installation procedures should be followed and the appropriate tools used at all times.

4.2.1 Preparation

Mounting should be carried out in a dry and clean surrounding. Before mounting the bearings, all the necessary parts, tools and equipment should be at hand. All parts of the linear guide (housing, shaft, etc.) should be carefully cleaned and deburred if necessary and the accuracy of form and dimensions checked against the specifications. The bearings will only perform satisfactorily if the prescribed tolerances are adhered to. The bearings should not be removed from their original packaging until immediately before mounting, in order to avoid contamination. Normally, the preservative with which new bearings are coated before leaving the factory should not be removed. Only for compact linear ball bearings and their self-holding functionality is it necessary to wipe the preservative off the outer surface. Where special greases are used which are not compatible with the preservative, the bearings must be carefully washed and dried in order to avoid any detrimental effect on the lubricating properties of the grease.

4.2.2 Mounting

Ewellix linear ball bearings are easy to mount in a chamfered housing bore and little force is required. Small to medium diameter linear ball bearings can even be inserted by hand. If more force is needed to mount the bearings, the use of a mechanical hand press is recommended. When standard linear ball bearings are to be mounted and secured against turning, e.g. by the use of a grease fitting, care should be taken that the lube port of the bearing, that acts also as attachment hole, is aligned with the hole in the housing.

Figure 14 shows perfect alignment of the indicator for lubrication port position and the grease fitting.

It is advisable to use a mandrel between the press and the linear ball bearing. The mandrel, preferably plastic, should be designed to provide guidance to the bearing and to give complete support to the bearing's end face so that seal damage is avoided. If the bearing is recessed in the housing, the mandrel may have the form shown in **figure 12**, whereas the design in **figure 13** should be used when the bearing has to be flush with the housing. Hammer blows to the linear ball bearing are to be avoided at all times as these would damage the seals and the cage.

Fig. 12

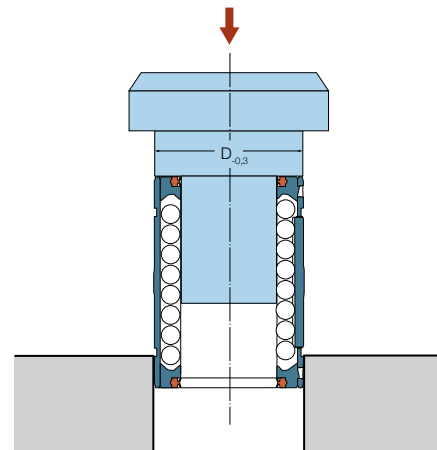
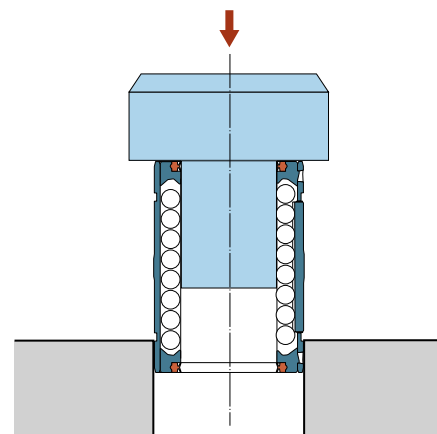


Fig. 13



Insert the shafts carefully into the lubricated bearings. Find more details about lubrication in **chapter 4.3**. Don't damage the linear bearing or the seal and make sure that the shafts are aligned with the right parallelism (↳ **chapter 4.1.7**). For easier alignment, most Ewellix linear bearing units and shaft blocks feature a reference side with tight tolerances (↳ **fig. 14 and 15**).

Screw connections have to be state of the art and the dimensioning has to be done by the customer. Lateral sliding of any component has to be prevented, e.g. by using a stop edge or retaining strip.

4.2.3 Mounting of linear plain bearings

To facilitate mounting, the shaft ends and the housing bore should be chamfered to an angle of approximately 20°. Ensure that there are no sharp edges or burrs on the shaft that might scratch the sliding surfaces of the bearing.

When mounting a linear plain bearing, by hand or mechanical hand press, the use of a mandrel is recommended as in the case of linear ball bearings (↳ **chapter 4.2.2**). Light oiling or greasing of the bearing's outer diameter allows easier insertion.

NOTE:

Even in applications for which no permanent lubrication is intended, it is advisable to apply some lubricant into the bearing directly when mounting and during the running in period. This helps to lower the coefficient of friction during running in and to increase the service life of the bearing.

Fig. 14

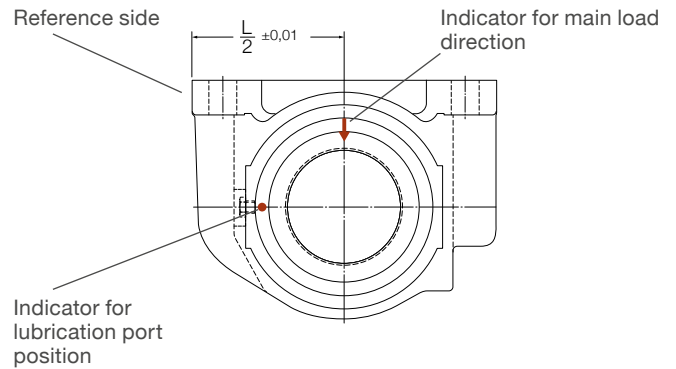
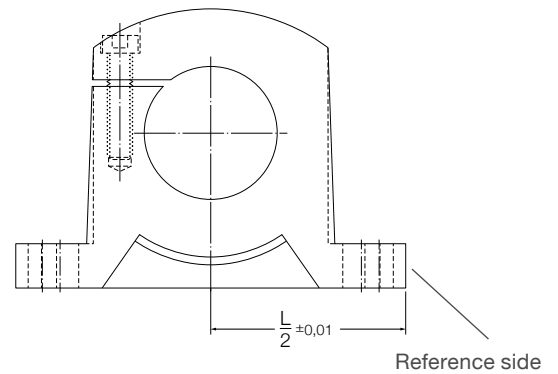


Fig. 15



4.3 Lubrication

The appropriate type and amount of lubricant is required for a linear bearing to achieve its optimum performance. To reduce wear, the lubricant prevents direct metal-to-metal contact between the rolling elements and the raceway plates. In addition, the lubricant protects the linear bearing and shaft from corrosion. Usually, linear bearings are operated with grease as lubricant.

4.3.1 Grease lubrication

Under normal operating conditions, linear bearings should be lubricated with grease. The advantage of grease is that it is more easily retained in the bearing, which is particularly important when the axis of travel is inclined or vertical. Moreover, it contributes to sealing the bearing against the ingress of liquid contaminants or humidity.

Base oil viscosity

The viscosity of the lubricating oil in a grease is key to the formation of the hydrodynamic film that separates the rolling elements from the raceway plates.

In general, the viscosity of lubricating oils is based on the flow rate at 40 °C. This value also applies to the mineral base oil contained in lubricating greases.

The base oils of commercially available rolling bearing greases have viscosity values between 15 and 500 mm²/s (at 40 °C). Greases with higher base oil viscosities often release the oil too slowly to sufficiently lubricate bearings. Find more details about requisite viscosity and factor for operating conditions, c_2 , in **chapter 2.2.3**.

Consistency class

Lubricating greases are divided into various consistency classes according to a scale from the National Institute of Grease Lubrication (NLGI). These are also reflected in DIN 51 818 and DIN 51 825.

Greases with a metallic soap thickener with a consistency of 2 or 3 on the NLGI scale are particularly suitable for use with Ewellix linear bearings. The grease consistency should not vary too much with changing operating temperatures or stress levels. Greases that soften at higher temperatures can leak from the bearing position, while greases that get stiffer at lower temperatures can impede the operation of the linear guiding system.

Specific requirements are placed on the lubricating grease's purity, composition and compatibility if the grease is to be used in special applications, for instance in the food sector, medical engineering, etc. In such cases, criteria should be further specified for the lubricant in addition to viscosity and consistency class.

Temperature range

The temperature range over which a lubricant can be used depends largely on the type of base oil and thickener as well as the additives.

The low temperature limit, the lowest temperature at which the grease enables the bearing to be started up without difficulty, is largely determined by the type of base oil and its viscosity. The high temperature limit is determined by the type of thickener and its dropping point. The dropping point is the temperature at which a grease changes its consistency and becomes a fluid.

NOTE: Grease will age with increasing rapidity at higher operating temperatures. The resulting by-products have a detrimental effect on the grease's lubrication properties and conditions in the rolling contact zone.

Lubricating greases with synthetic base oils can be used both at higher and lower temperatures compared to lubricants with a mineral oil base.

Corrosion inhibiting additives in lubricants

Lubricants typically contain additives to inhibit corrosion. In addition, the type of thickener is crucially important in this regard. Lithium-base and calcium-soap greases provide excellent corrosion protection properties. They are also resistant to water wash-out.

In applications where corrosion protection is a key operational parameter, Ewellix recommends stainless linear ball bearings (suffix /HV6) and stainless steel or chrome-plated shafts.

4.3.2 Delivery condition from factory

Ewellix linear ball bearings and units for shaft diameter 8 mm and larger are factory pre-lubricated. This saves assembly time and maintenance effort. The linear ball bearings are lubricated with the high-performance grease LGEP 2 from SKF that is suitable for a wide range of industrial and automotive applications. The grease is based on lithium soap and mineral oil, whereas the extreme pressure additives provide a good anti-wear protection and corrosion resistance (→ **table 6**).

Special greases for food or clean room environments are available on request. Linear ball bearings without factory pre-lubrication can be ordered, too. Before mounting non pre-greased linear bearings, they have to be suitably lubricated (→ **chapter 4.3.3**). When using other lubricants, make sure they have the right properties and are compatible with the bearing materials and the preservative.

Ewellix linear ball bearings are always protected with a corrosion inhibiting preservative for transport and storage. This preservative is compatible with LGEP 2 grease but is not food-grade.

NOTE: Linear ball bearings LBBR 6 and LBCR 5 are factory pre-lubricated with oil (Paraliq P460 from Klueber), by default. LBBR 3, 4 and 5 are without lubricant by default but are also protected with a preservative for transport and storage as the other bearings.

Table 6

| Properties of grease LGEP 2 | |
|---------------------------------------|------------------------------------|
| Thickener | Li |
| Base oil | Mineral oil |
| Operating temperature, (steady state) | -20 up to +110°C |
| Kinematic viscosity of base oil | 200 mm ² /s |
| Consistency class | NLGI 2 |
| Application range | EP additives for long service life |

4.3.3 Initial lubrication

Initial lubrication is not required since Ewellix linear ball bearings are delivered factory pre-lubricated and ready to install unless specified otherwise. If for any reason the bearing is not yet lubricated, make sure it is initially greased prior to mounting and that the grease is spread over all ball rows and recirculations. The initial grease fill should be applied three times according to the steps below:

1. Grease each linear bearing with the quantity described in **chapter 4.3.4**.
2. Move the linear bearing several times backwards and forwards with stroke longer than bearing length.
3. Repeat steps 1 and 2, twice more.
4. Check if a lubricating film is visible on the shaft.

4.3.4 Relubrication

The grease quantity for relubrication can be determined using the following formula:

$$G_p = F_w \cdot C \cdot \text{No. of rows} \cdot \text{const}_1$$

where

- G_p grease quantity, g
- F_w nominal inner bearing diameter, mm
- C width of the linear ball bearing, mm
- No. of rows number of ball rows
- const_1 constant 1, see table below

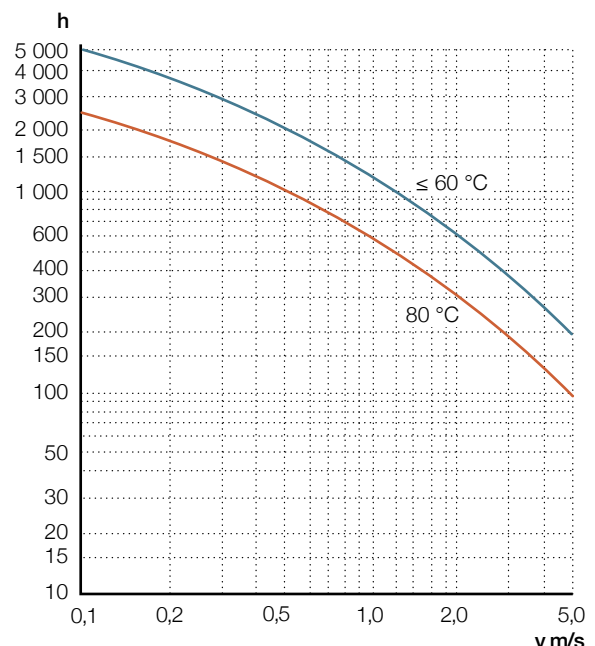
Table 7

| Type | Size | const ₁ |
|--------------|---------|--------------------|
| LBBR | 8 - 50 | 0,00003 |
| LBCR, LBCD | 8 - 40 | 0,00003 |
| | 50 - 80 | 0,00009 |
| LBCT, LBCF | 12 - 40 | 0,000025 |
| | 50 - 80 | 0,000075 |
| LBHT 20 - 50 | 20 - 50 | 0,000025 |

Relubrication should always be done at a time when lubrication conditions inside the bearing are still satisfactory. Relubrication intervals for linear ball bearings depend on many factors. Primary factors are average running speed, load, operating temperature, shaft length and grease quality. A suitable relubrication interval has to be determined by tests under real conditions.

The following figure shows the dependency on running speed and temperature onto the relubrication interval. The guideline values shown below represent a fixed installation under normal load.

Relubrication interval



4.4 Maintenance

4.4.1 Preventative maintenance

To avoid dirt from adhering to the shafts, they should be cleaned regularly with a cleaning stroke. Ewellix recommends a cleaning stroke over the entire length of the shafts twice a day or at least after eight hours of operation. That wipes away dirt particles and spreads a new lubricant film onto the shafts for continuous corrosion protection.

4.4.2 Repairs

If the linear bearing system has reached the end of its service life and has to be replaced, Ewellix recommends replacing the whole system, meaning shafts and bearings.

Sometimes it's possible to change a single component only, but it's often more economical to replace everything considering time for assembly and disassembly.

When ordering a spare bearing, make sure to mention the main dimensions, including shaft diameter, housing bore diameter, bearing width and type of sealing. Alternatively, find the suitable replacement in **chapter 3** on your own and use the ordering key as indicated.

For ordering a spare precision shaft, you need to provide the diameter, the length, the end machining and, if the shaft is supported, the details about lateral threads and J dimensions. For customised shafts, please send a drawing for re-ordering.

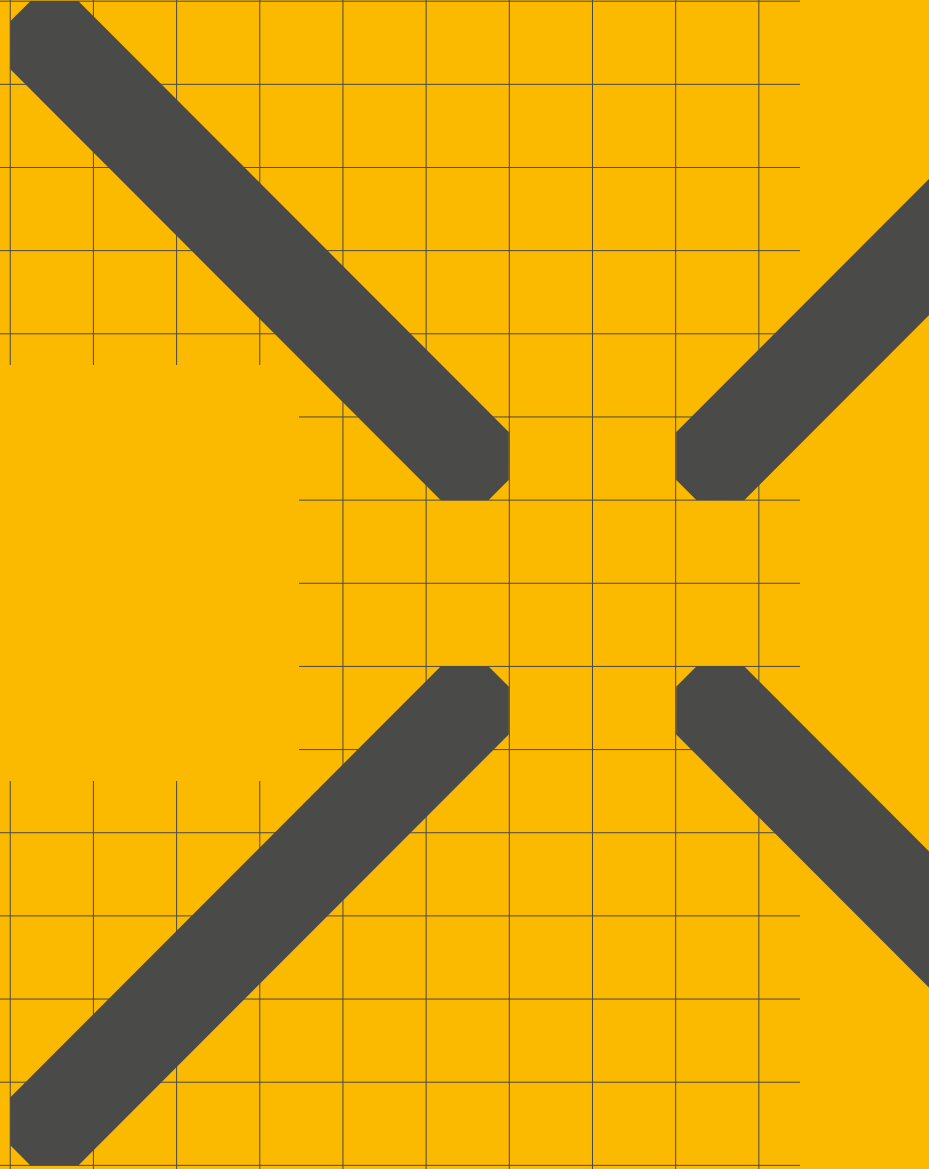
4.4.3 Shipping and storage

Linear ball bearings should be stored in a cool and dry indoor area and inside its original packing, which should be kept closed until the bearing is needed for use. The indoor temperature should not exceed 30 °C (86 °F) and should remain above 0 °C (32 °F). Make sure the relative humidity of the storage area does not exceed 60 %. Do not store directly near a heat source and avoid exposure to direct sunlight.

The bearings are normally coated with a rust inhibiting preservative before packing and can be stored for up to four years in their original unbroken packaging. It is possible that the lubricating properties of the grease inside the bearing will deteriorate if stored for a longer time. In such case the old grease has to be replaced by the necessary amount of fresh grease before usage. Bearings with seals, when stored for longer periods, may be found to have a higher initial starting friction than new bearings.

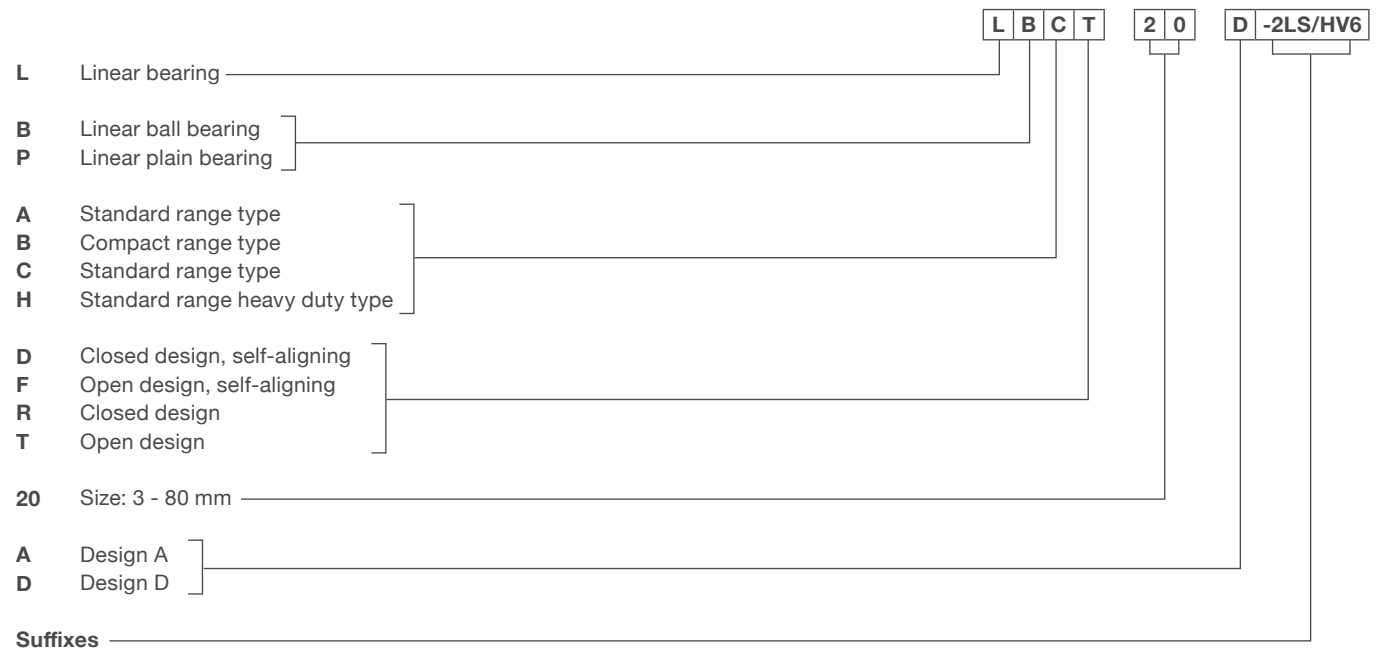
5

Ordering key

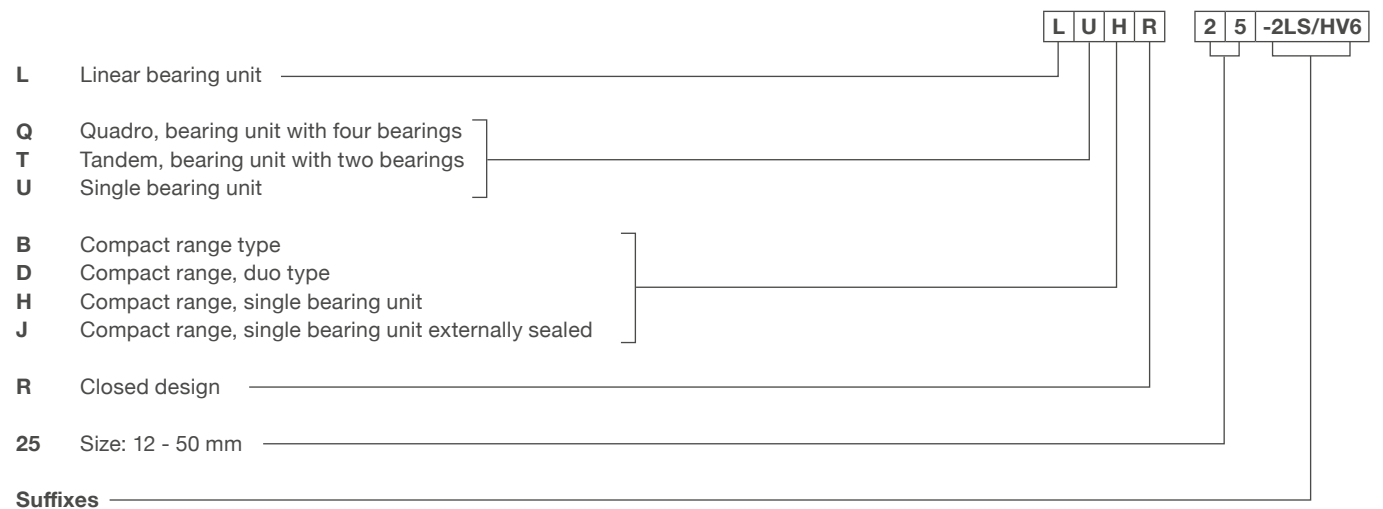


Ordering key

Linear bearings



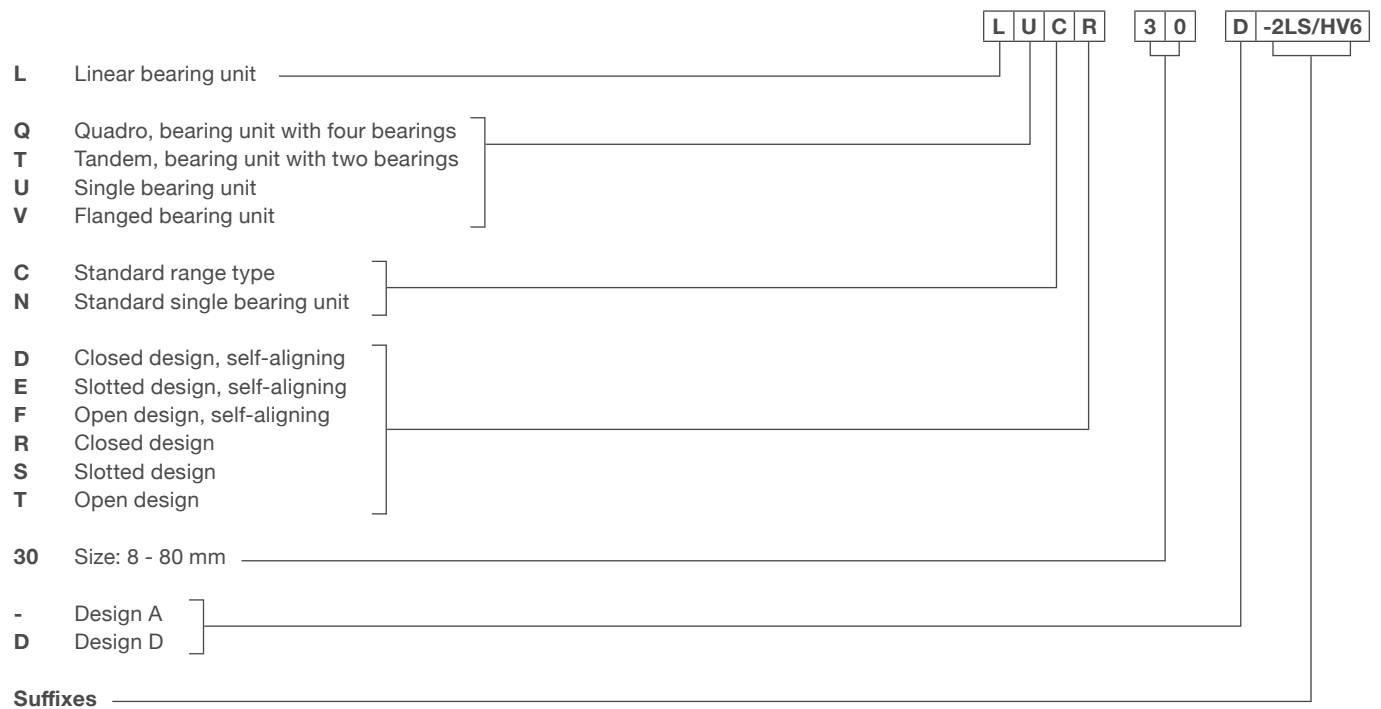
Compact linear bearing units



REMARKS:

- An overview of available products is shown in **chapter 1.3.2.**
- Some combinations of ordering key letters are not possible.

Standard linear bearing units



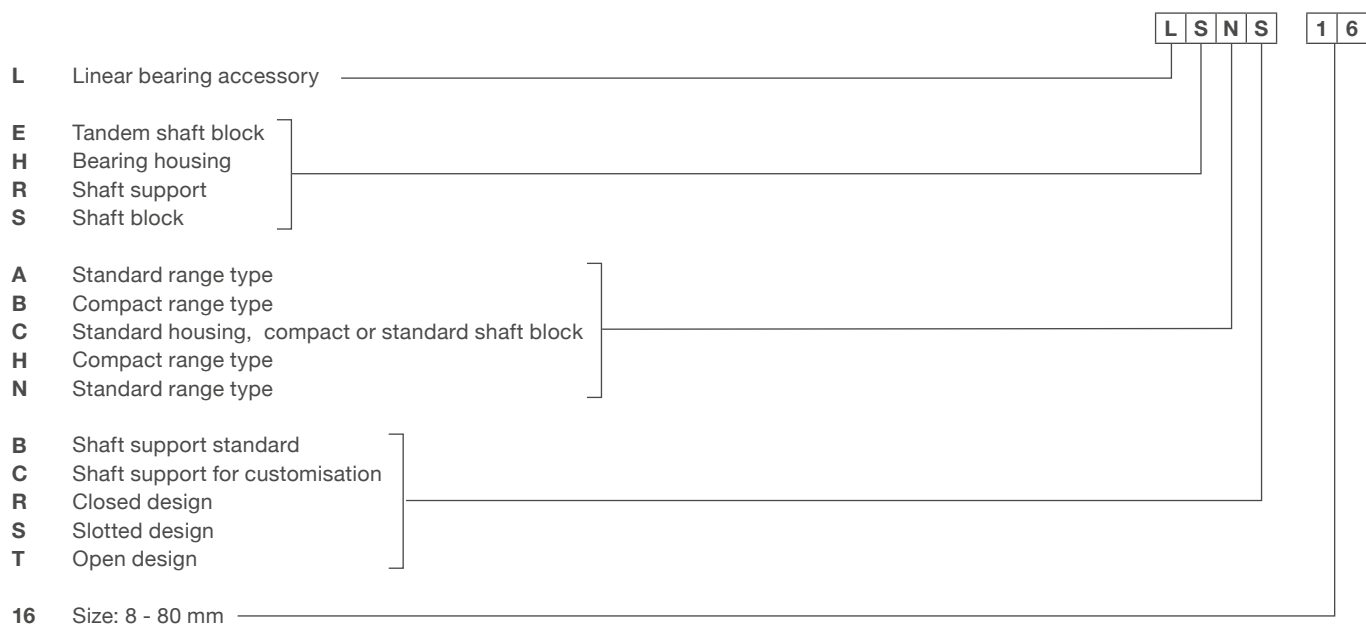
Suffixes

- 2LS** Linear bearing or units sealed on both sides
- LS** Linear bearing or units sealed on one side
- BH** Unit with heavy duty bearing
- /HV6** Stainless steel variant
- PA** Unit with standard plain bearing
- PB** Unit with compact plain bearing

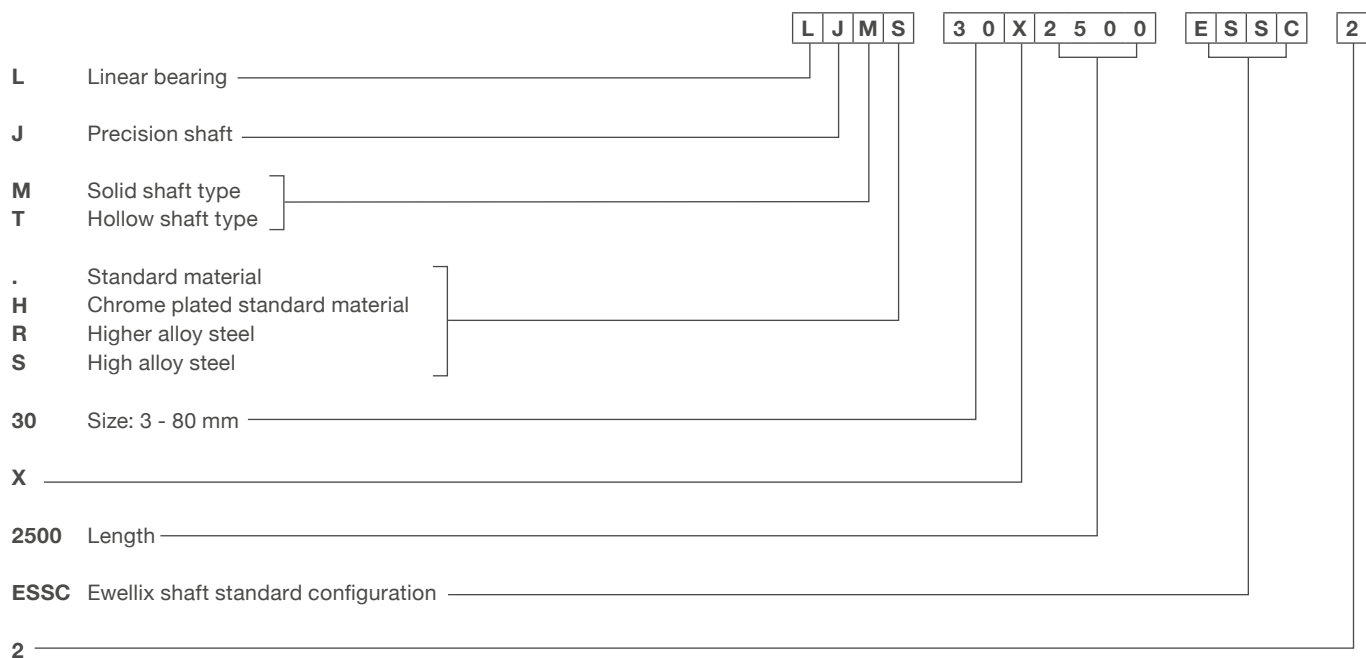
REMARKS:

- An overview of available products is shown in **chapter 1.3.2.**
- Some combinations of ordering key letters are not possible.

Linear bearing accessories



Precision shafts

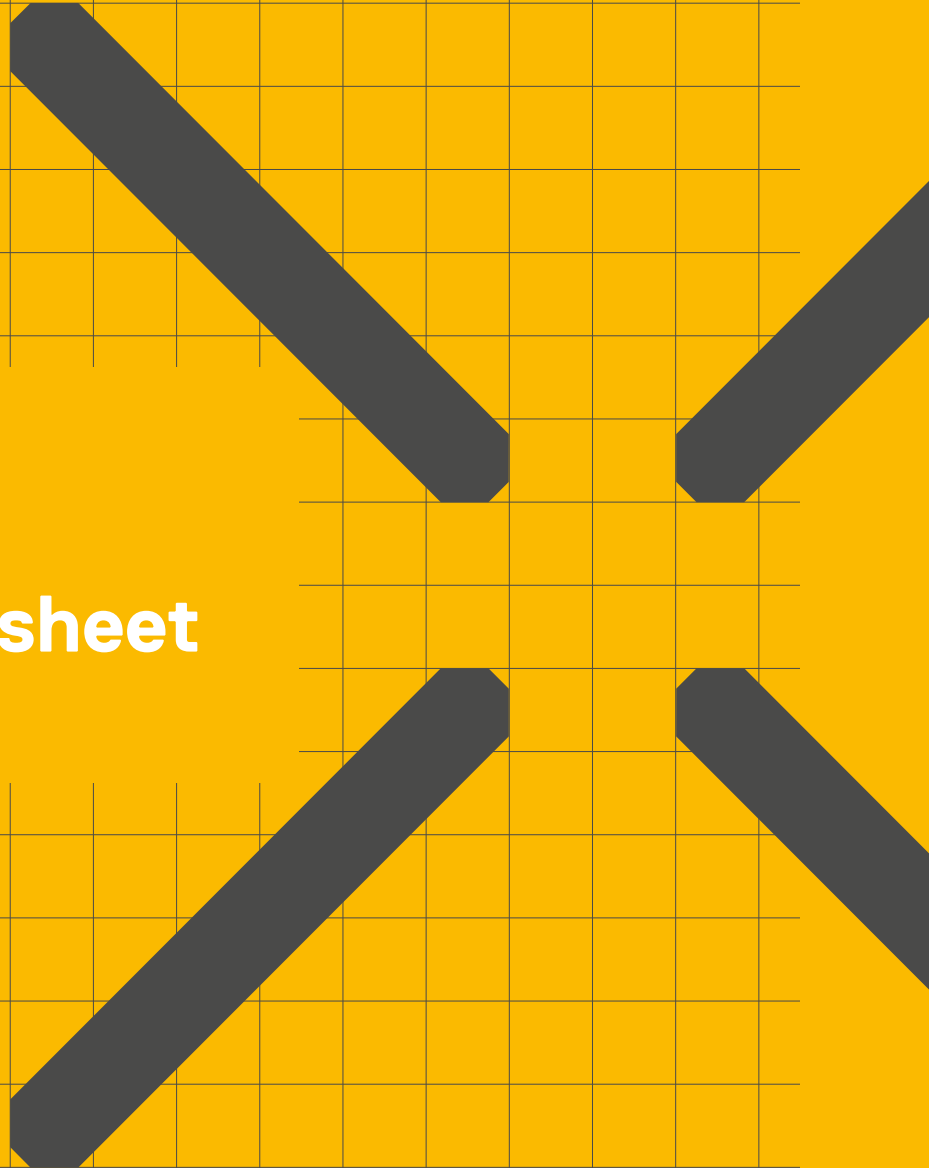


REMARKS:

- An overview of available products is shown in **chapter 1.3.2.**
- Some combinations of ordering key letters are not possible.

6

**Customer
specification sheet**



Specification sheet – Linear Ball bearing

Please complete the form with all available information and send it to your Ewellix representative or authorized distributor for product selection.

| | |
|-----------------|------|
| Ewellix contact | Date |
|-----------------|------|

General information

| Customer | | | Contact | |
|-----------------|------|-------|--------------------------------|---------------------------------|
| Company | | | Contact name | |
| Address 1 | | | Job title | |
| Address 2 | | | Department | |
| Post code / Zip | City | State | Phone (including country code) | Mobile (including country code) |
| Country | | | Mail | |

| |
|---------------|
| Project title |
|---------------|

Reason for request

| Current product / brand | Description | |
|-----------------------------------|----------------------------------|-----------------------------|
| <input type="radio"/> Replacement | <input type="radio"/> New design | <input type="radio"/> Other |

Application / Industry

| | | | |
|--|---|-------------------------------------|-------------|
| <input type="radio"/> Factory automation | <input type="radio"/> Food and beverage | <input type="radio"/> Machine tools | Description |
| <input type="radio"/> Medical | <input type="radio"/> Semiconductor | <input type="radio"/> Other | |

Export control and Ewellix policy (mandatory to mark)

| |
|---|
| <input type="radio"/> The application is not subsidiary or part of industry of national defence and/or nuclear (also not with details of the function). The application is civil. |
|---|

Commercial information

General

| | | | | | |
|---|---------------|-----------------|-----------------------------|---------------------|----------|
| <input type="radio"/> One shot business | Quantity, pcs | Batch size, pcs | Start of supply, YYYY MM DD | Target price / each | Currency |
| <input type="radio"/> Yearly repeating business | | | | | |

Application description



Product details

Product designation (if already known)

Range

- Compact range
 Standard range

Bearing type

- Linear ball bearing
 Linear plain bearing

Bearing design

- Closed design
 Open design (for supported shafts)

- Rigid (permissible shaft deflection without reduction $\pm 5'$ of arc)
 Self-aligning (permissible shaft deflection $\pm 30'$ of arc)

Needed accessories (for details see Ewellix publication Linear ball bearings and units)

Shaft

Designation

LJ ...

Length

mm

Shafting standard

ESSC ...

Housing

Designation

Single
shaft block

Designation

LS ...

Tandem
shaft block

Designation

LE ...

Linear ball bearings mounted as a complete system

System

Designation

LZ ...

System with drive,
e.g. ball screw



ewellix.com

© Ewellix

All contents of this publication are the property of Ewellix, and may not be reproduced or given to third parties (even extracts) without permission. Although great care has been taken in the production of this catalog, Ewellix does not take any responsibility for damage or other loss resulting from omissions or typographical errors. The photo may differ slightly in appearance from the actual product. Due to continuous improvements being made in our products, the product's appearance and specifications are subject to change without notice.

PUB NUM IL-06013/2-EN-October 2020

SKF and SKF logo are trademarks of the SKF Group