

Linear actuator Magdrive



Slim design



In-line actuator



Quiet operation



High push load



Magdrive

Linear actuator

Benefits

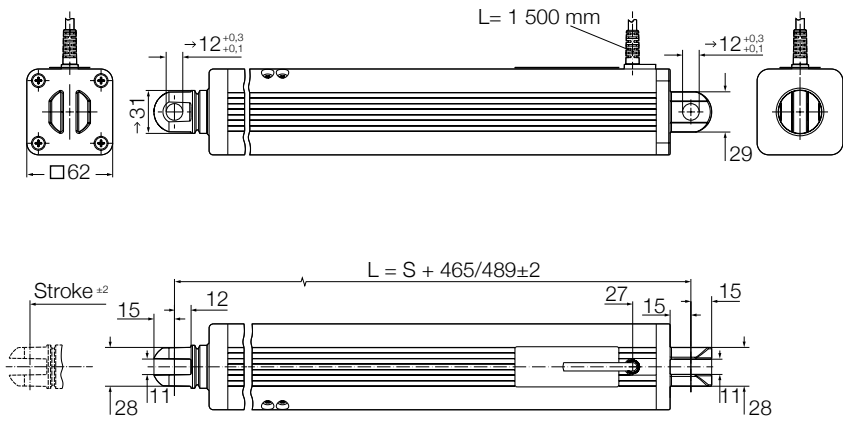
- Slim design
- Aluminium profile
- In-line actuator
- Quiet operation
- High push load



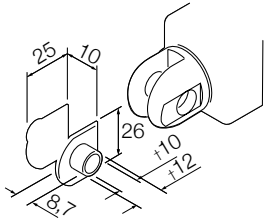
Technical data

	Unit	MD22/MD24	MD23/MD25
Rated push load	N	6 000	6 000
Rated pull load	N	200 (static only)	6 000
Speed (full load to no load)	mm/s	8,5 to 15	8,5 to 15
Stroke	mm	50 to 700	50 to 700
Retracted length	mm	S+465	S+465
Voltage	V DC	24	24
Power consumption	W	N/A	N/A
Current consumption	A	7	7
Duty cycle	%	10 (1/9)	10 (1/9)
Ambient temperature	°C	+10 to +40	+10 to +40
Type of protection	IP	x0/x4S	x0/x4S
Weight	kg	5,0	5,0
Color	–	Colorless anodized	Colorless anodized

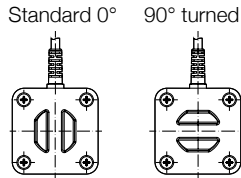
Dimensional drawing



Plastic bushing for forkhead (hinge delivered separately)



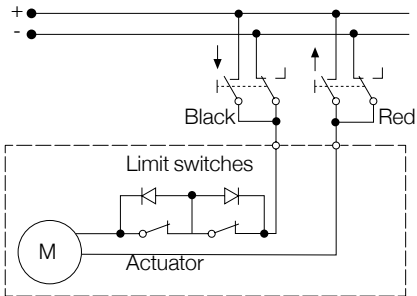
Orientation of rear attachment



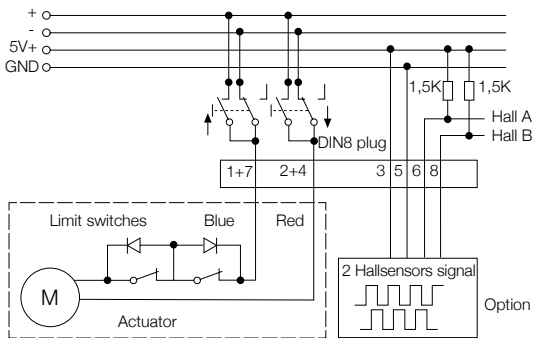
Legend:
S = stroke
L = retracted length

Connecting diagrams

24 V DC



24 V DC (DIN8 plug)



Suitable control units and accessories

	Control units			
	SCU	VCU	BCU	MCU
MAGDRIVE	•	•	•	•
Operating switches				
EHA 1				•
EHA 3	•	•	•	
STJ	•	•	•	
STF				•
STA				•
STE	•	•	•	

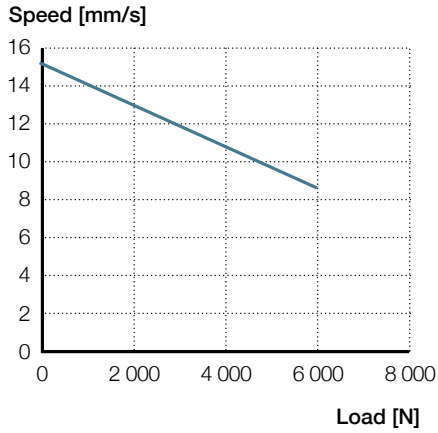
Hand switch

Foot switch

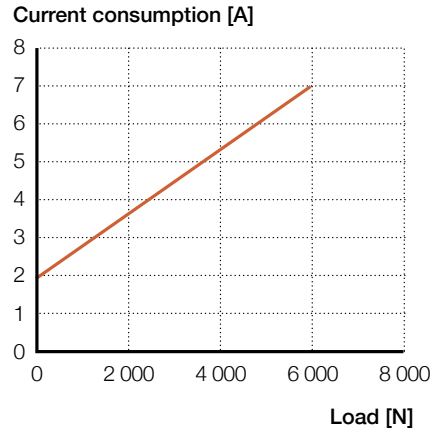
Desk switch

Performance diagrams

Speed-load diagram

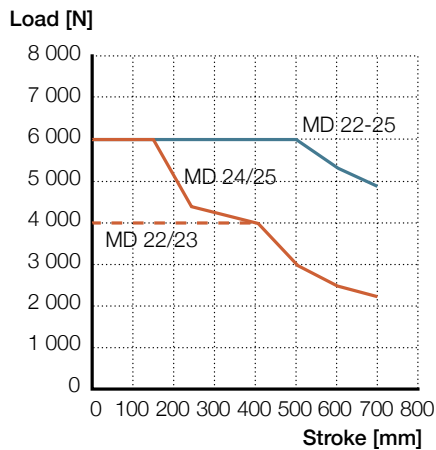


Current-load diagram

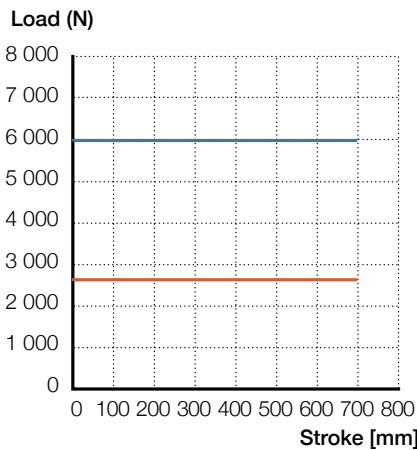


Safety factor load conditions

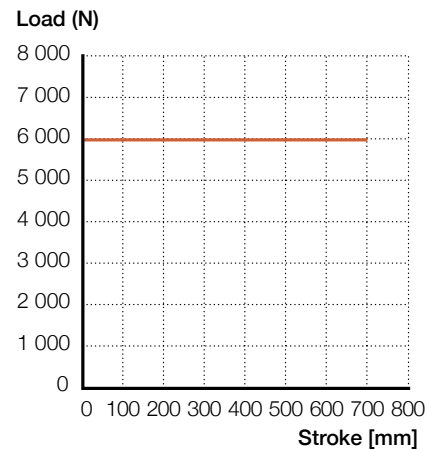
Push load diagram



Pull load diagram MD23



Pull load diagram MD25 (6 000 N)

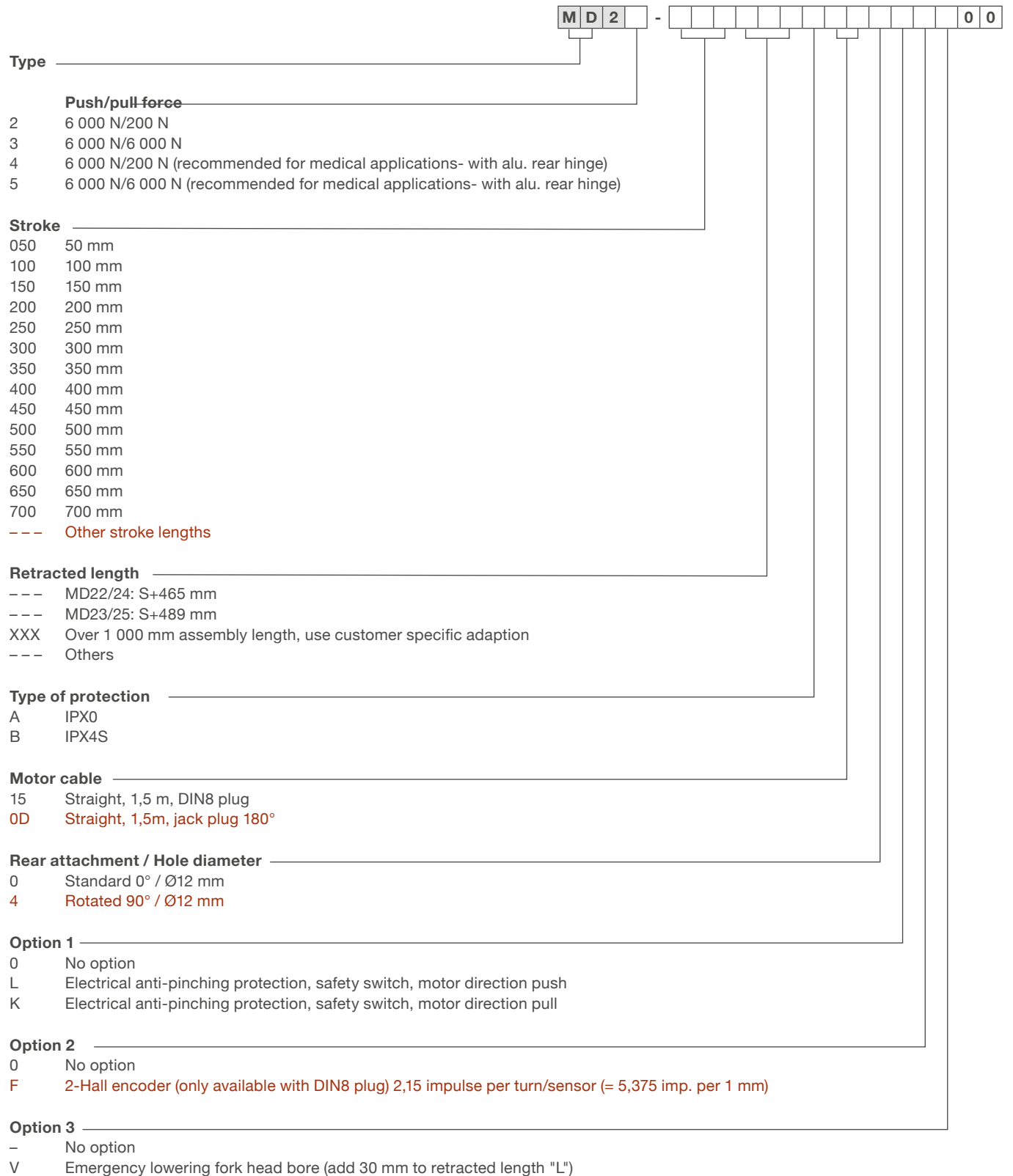


— Safety factor S=2
 — Safety factor according UL60601-1, IEC60601-1

— Safety factor S=4
 — Safety factor according UL60601-1, IEC60601-1

— Safety factor according UL60601-1, IEC60601-1

Ordering key



Options shown in red are only available on request. Contact Ewellix for more information on minimum quantities and additional costs.



ewellix.com

© Ewellix

All contents of this publication are the property of Ewellix, and may not be reproduced or given to third parties (even extracts) without permission. Although great care has been taken in the production of this catalog, Ewellix does not take any responsibility for damage or other loss resulting from omissions or typographical errors. The photo may differ slightly in appearance from the actual product. Due to continuous improvements being made in our products, the product's appearance and specifications are subject to change without notice.

PUB IL-07001/1-EN-March 2020